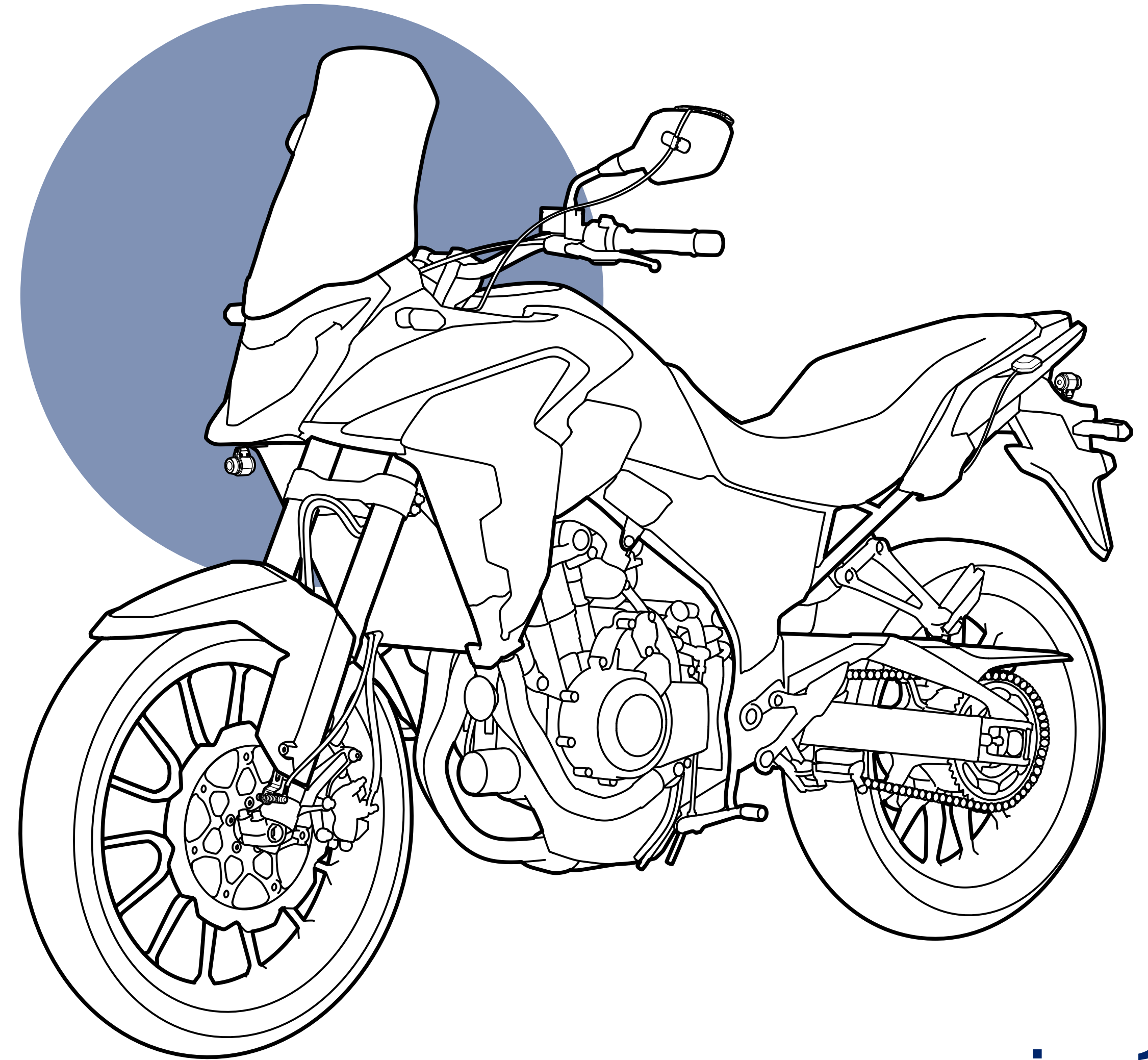
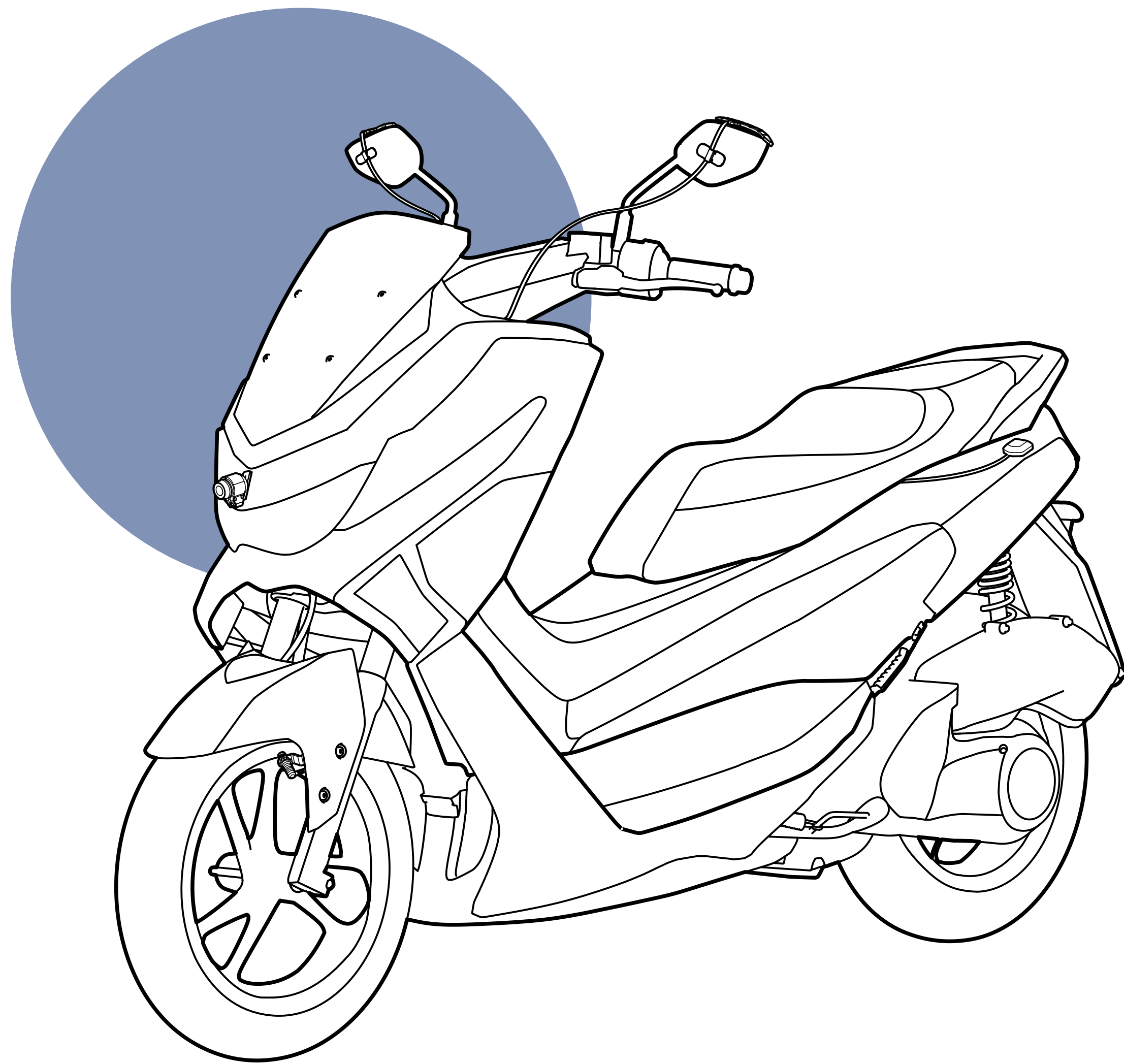


# **RIDEVISION**

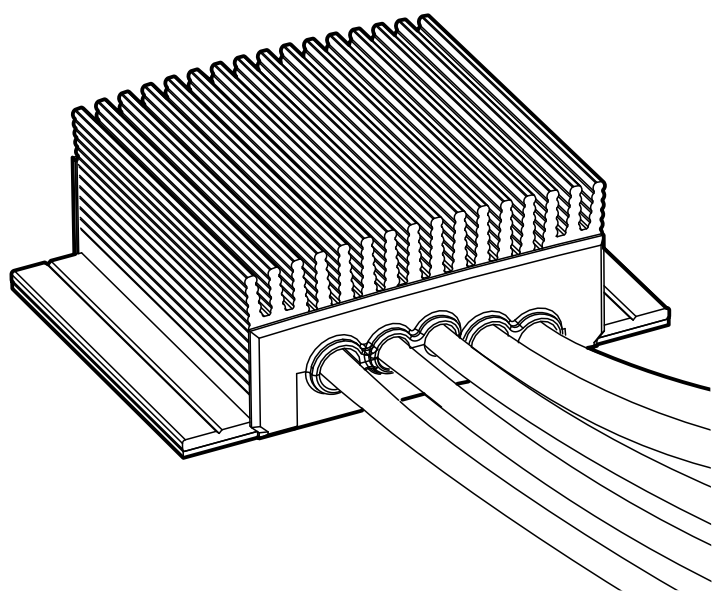
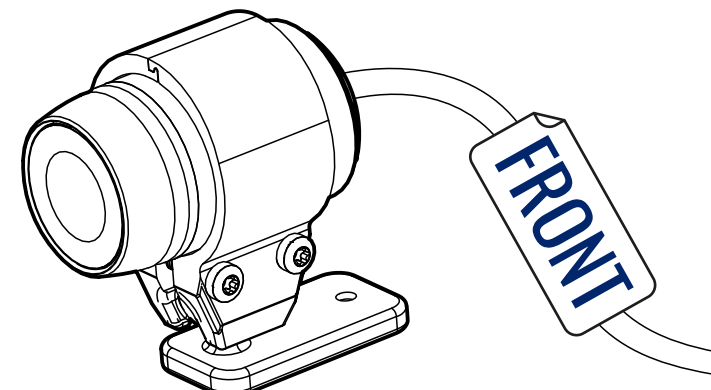
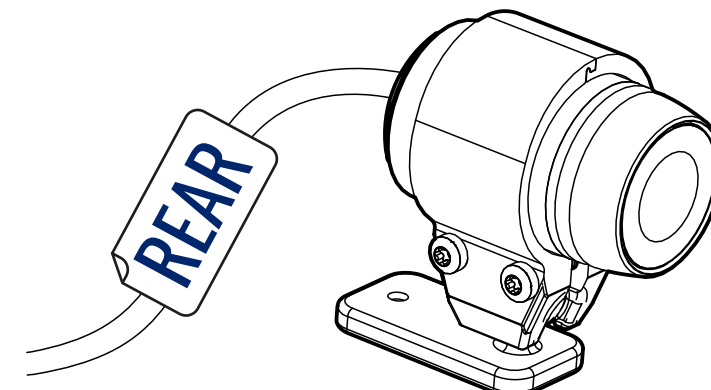
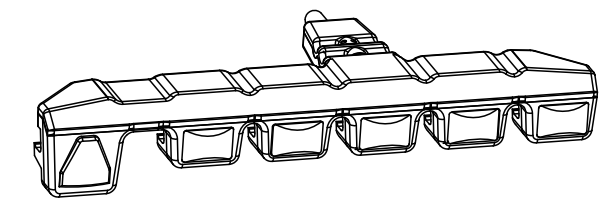
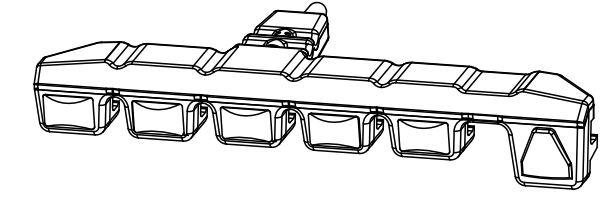
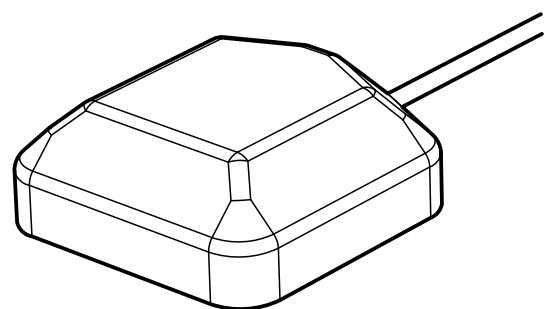
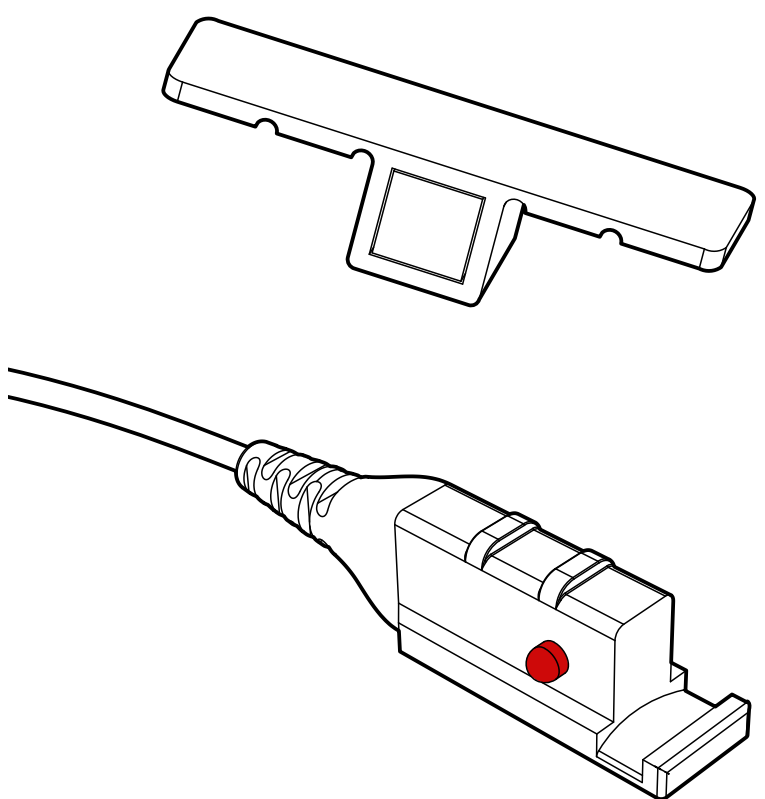
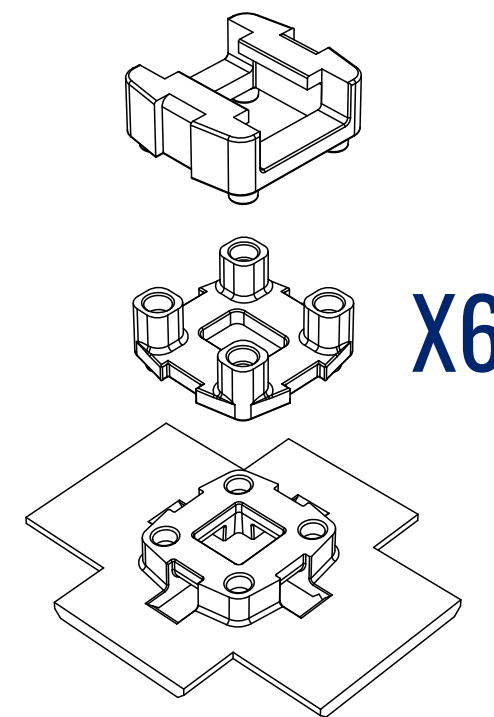
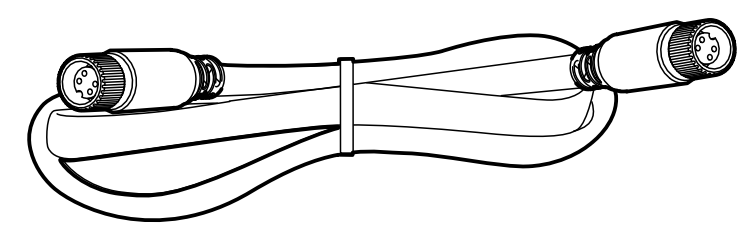
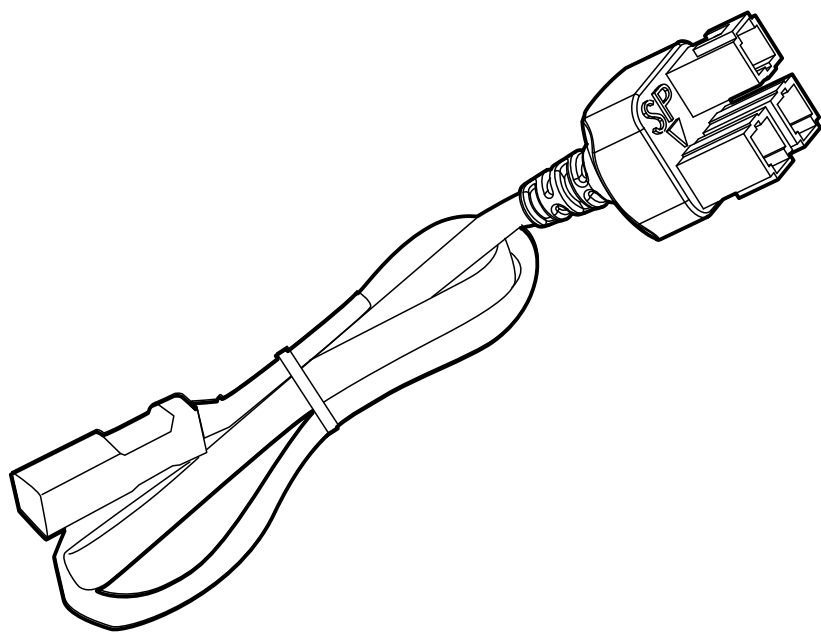
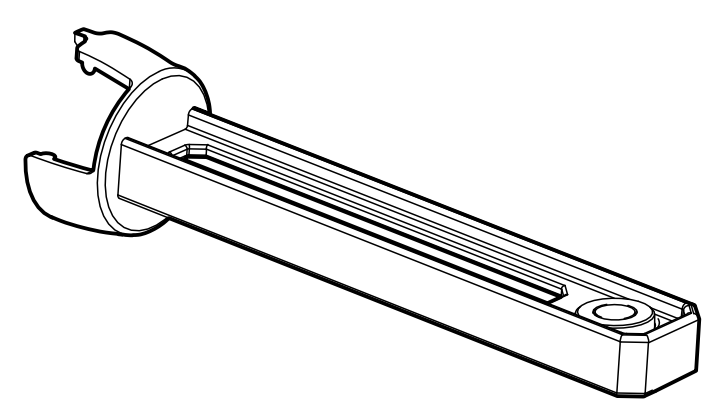
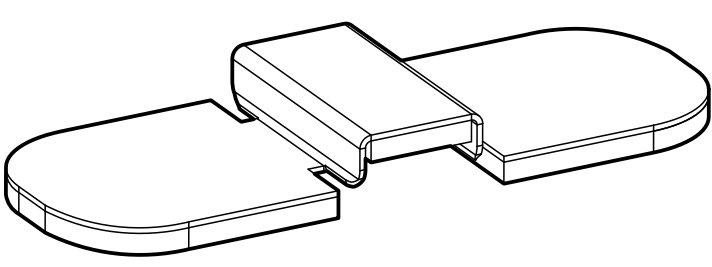
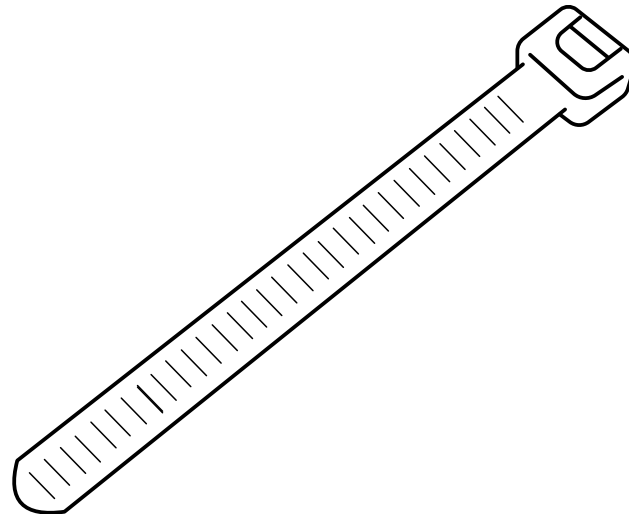
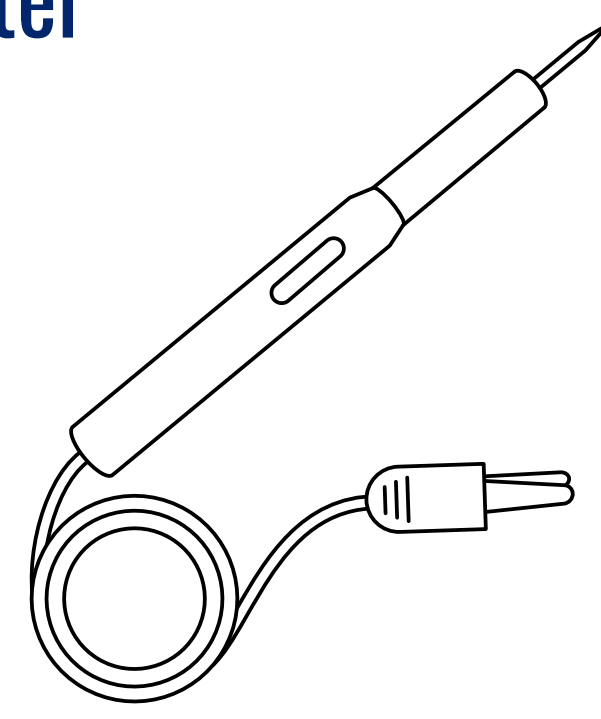
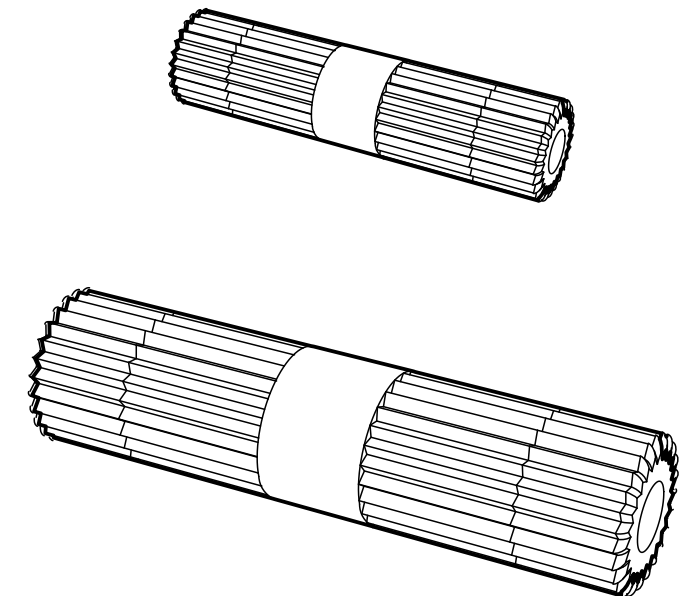

**Saving Riders' Lives**

## **RV 2 Installation Manual**

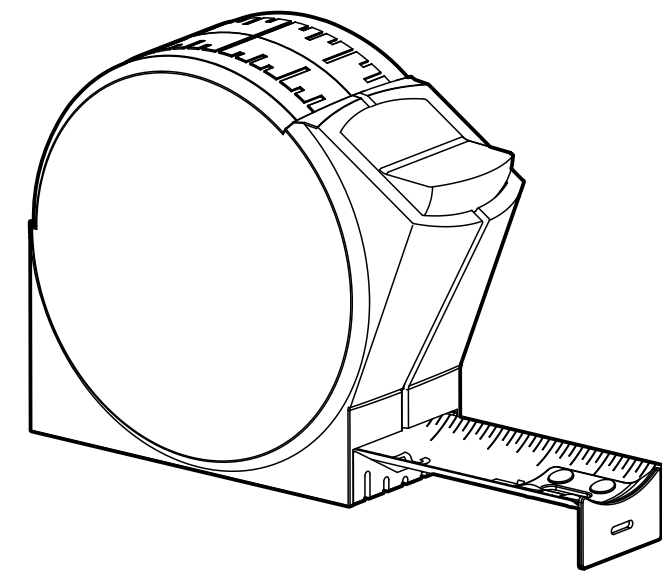


**version 1.1**

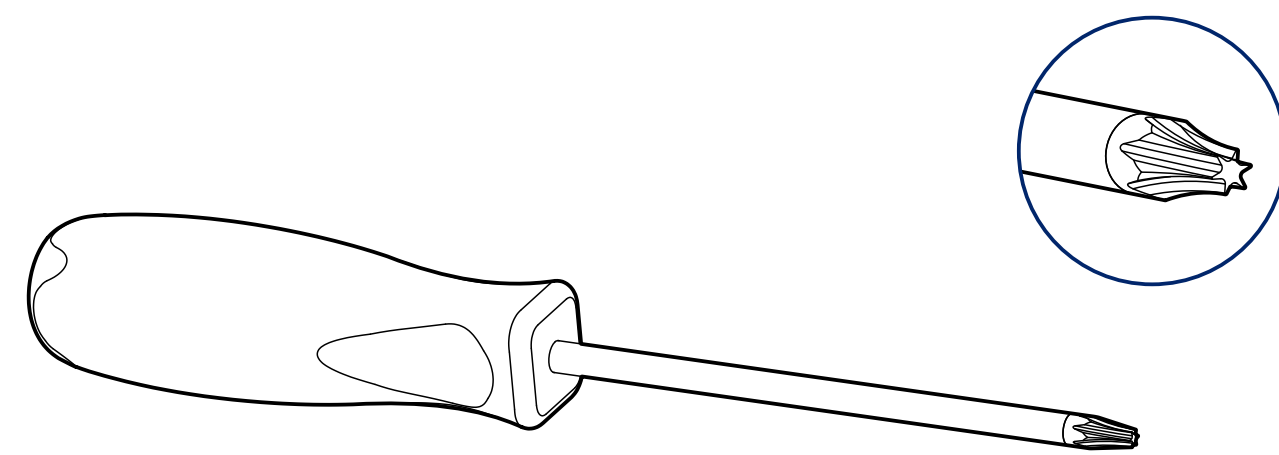
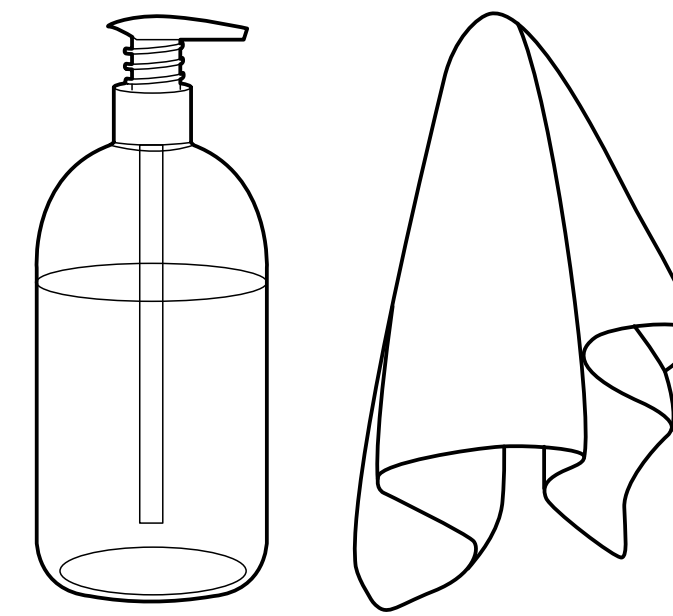
# Ride Vision 2 Content

	<p><b>Front camera</b></p> 	<p><b>Rear camera</b></p> 	<p><b>Left indicator</b></p>  <p><b>Right indicator</b></p> 	
				
<p><b>X2</b></p> 		<p><b>Tester</b></p> 		

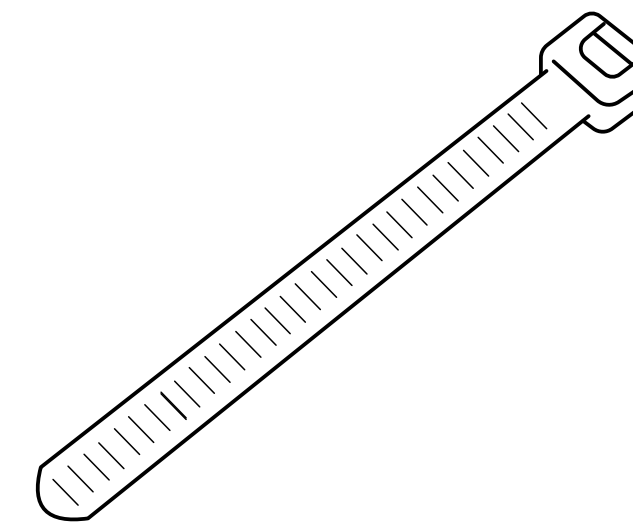
# Tools



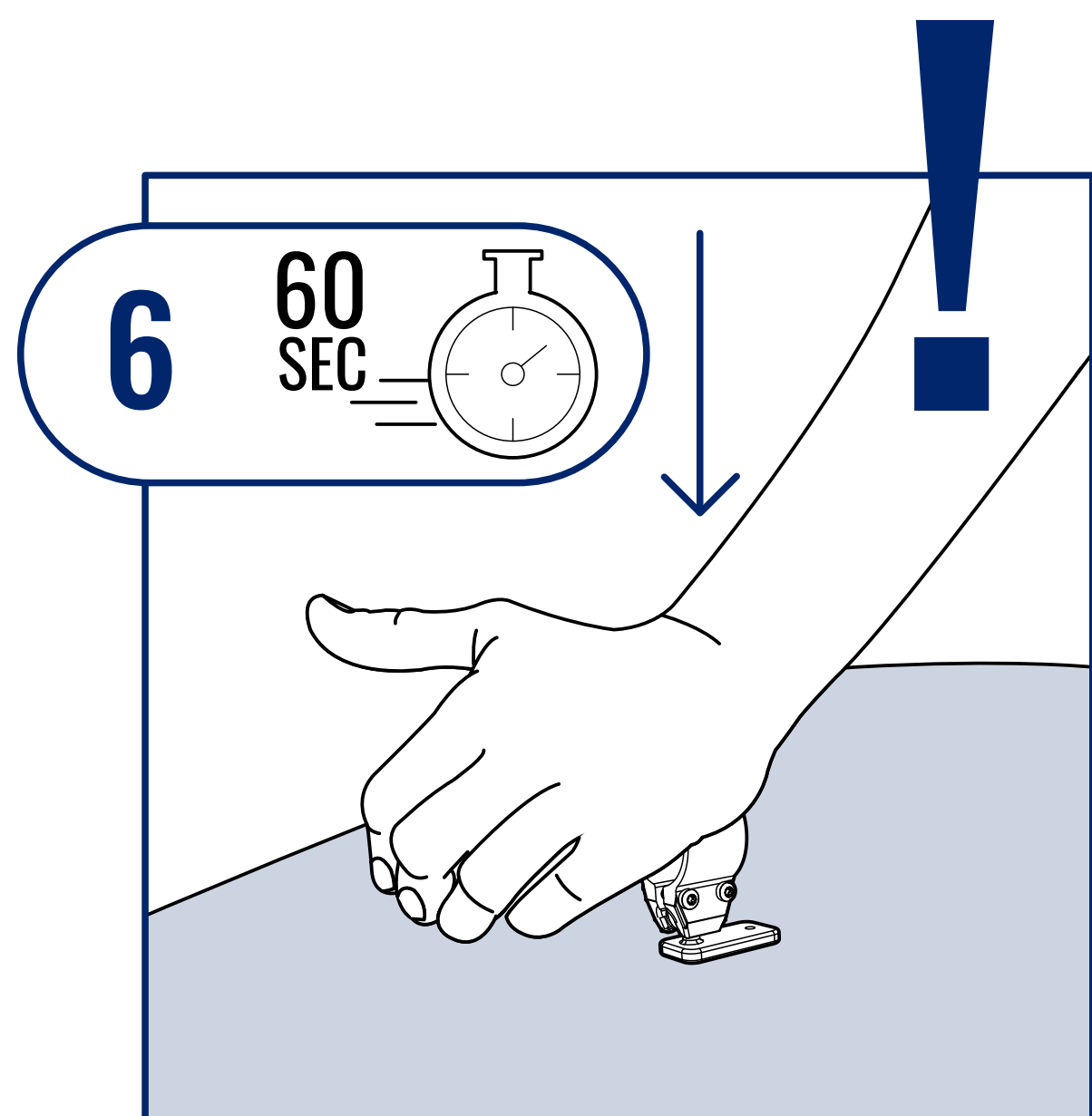
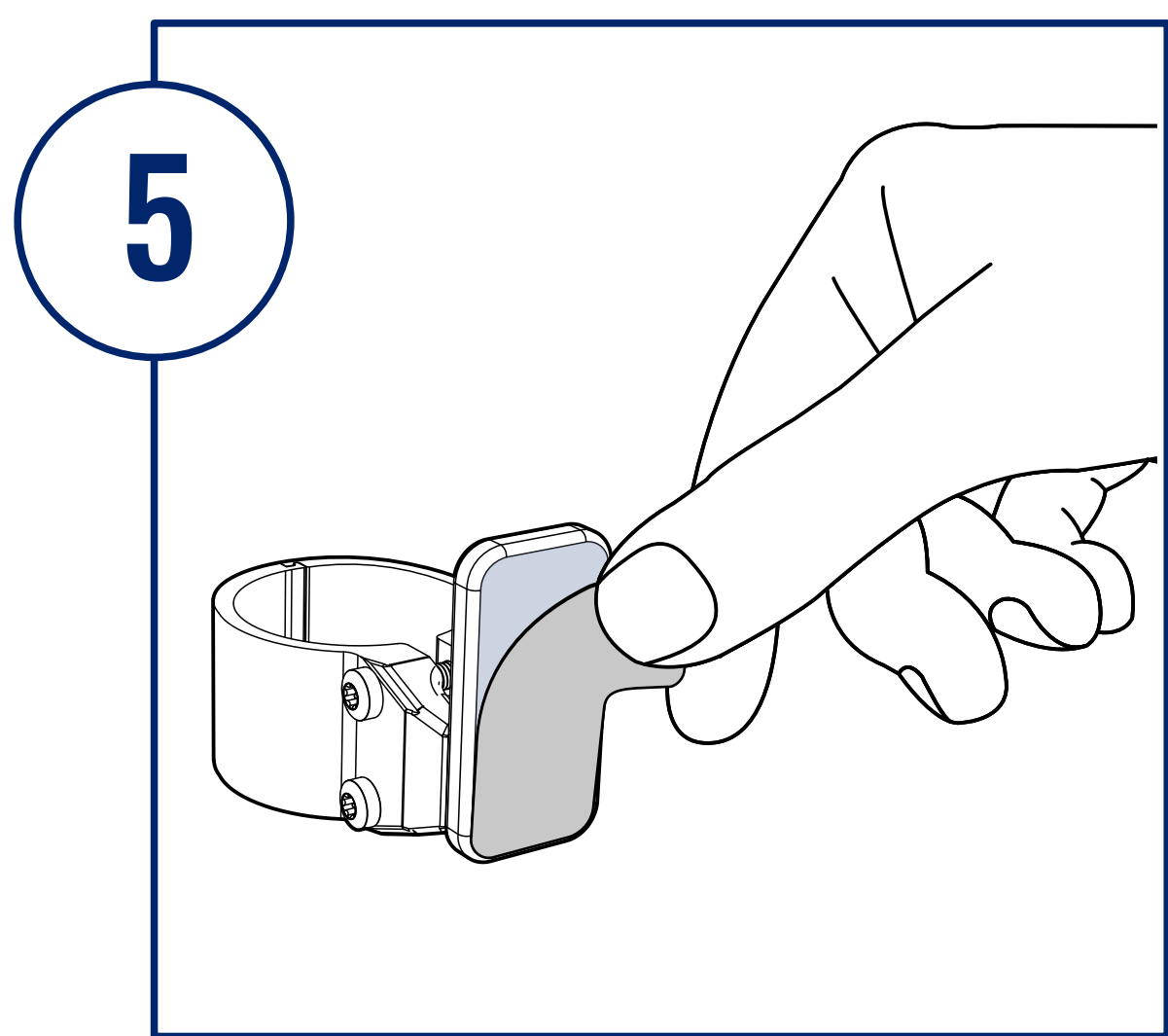
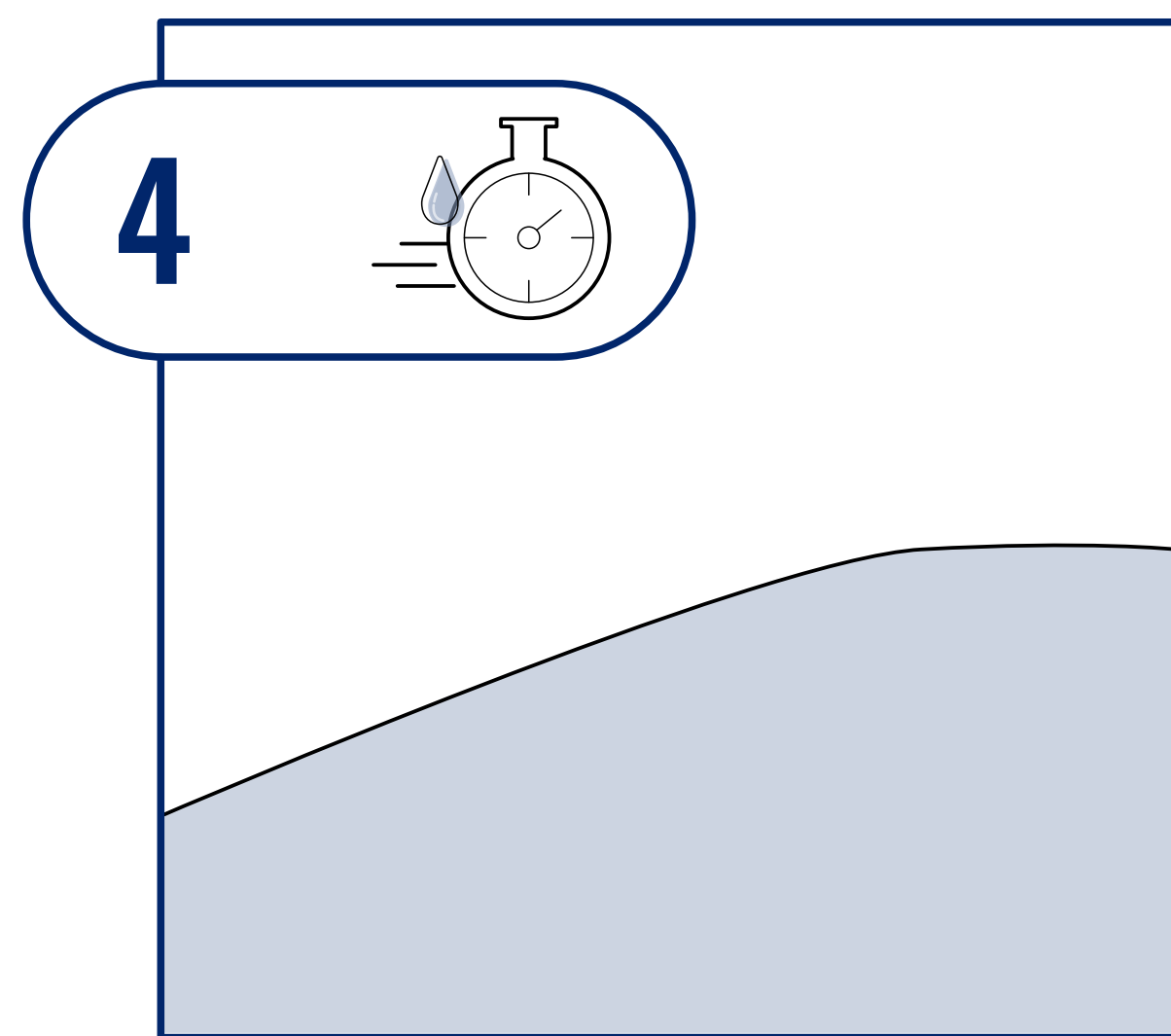
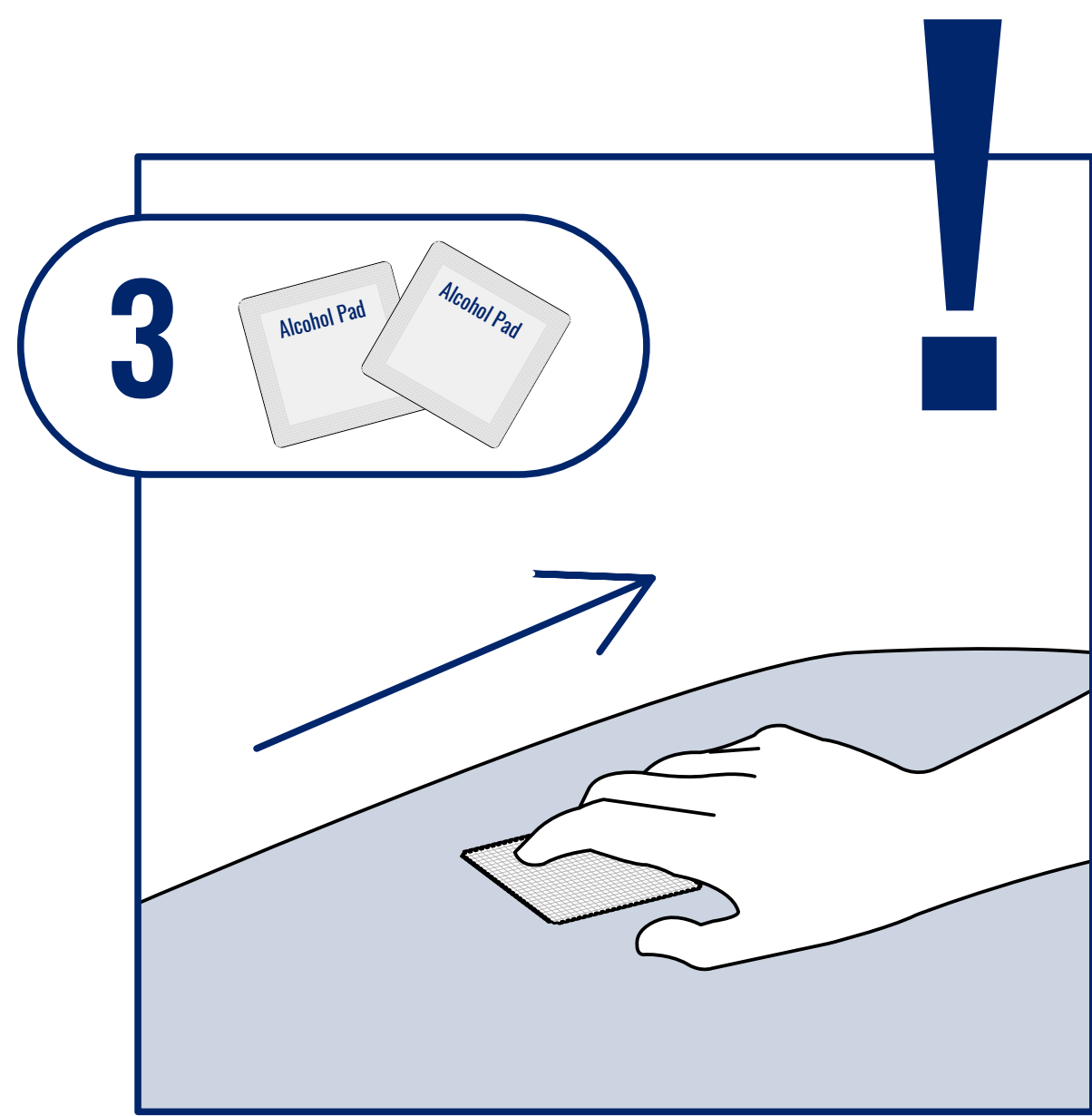
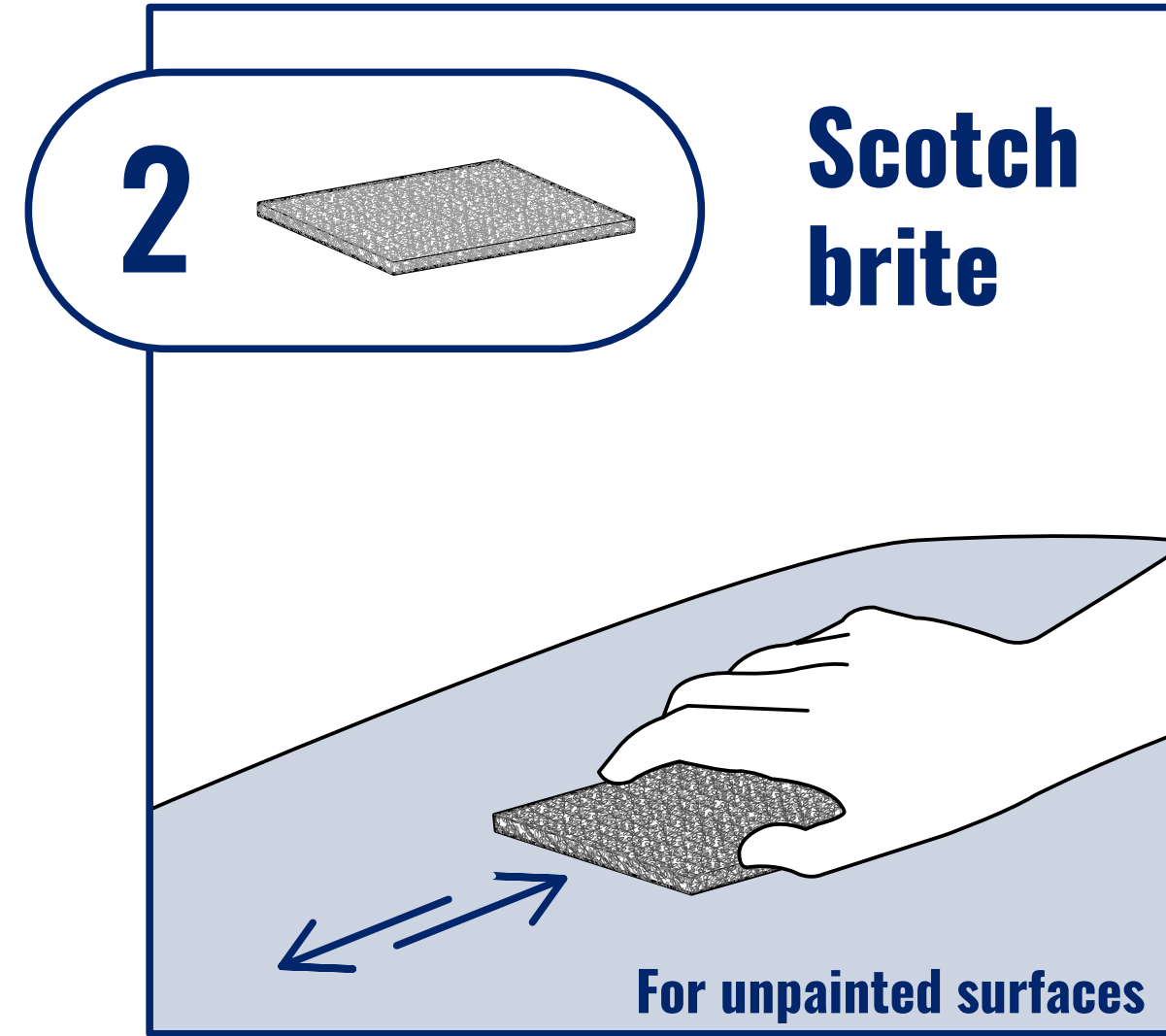
Measuring tape



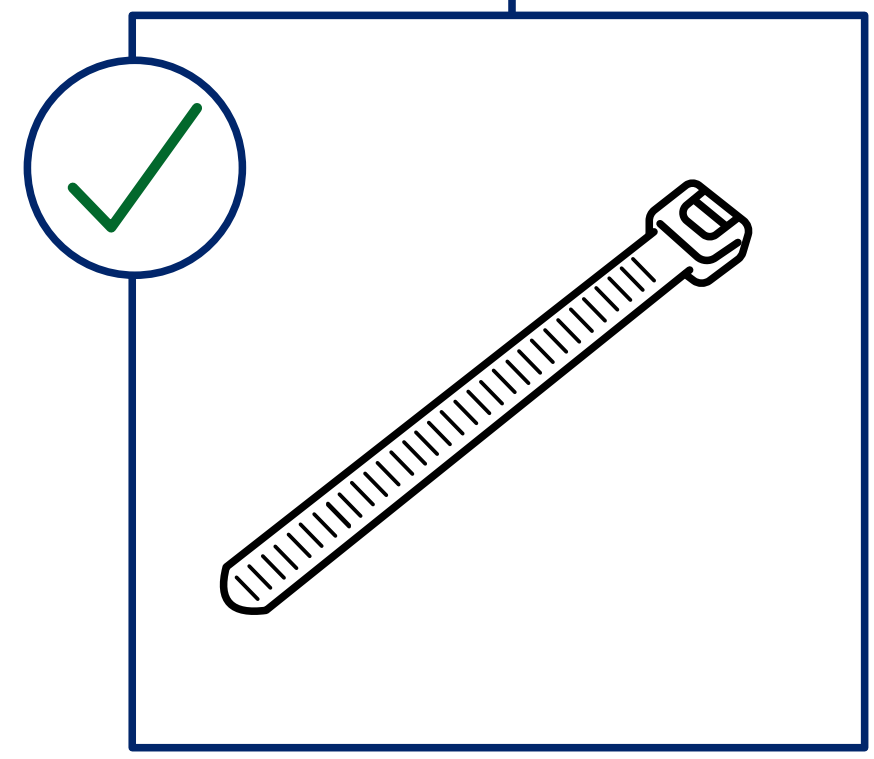
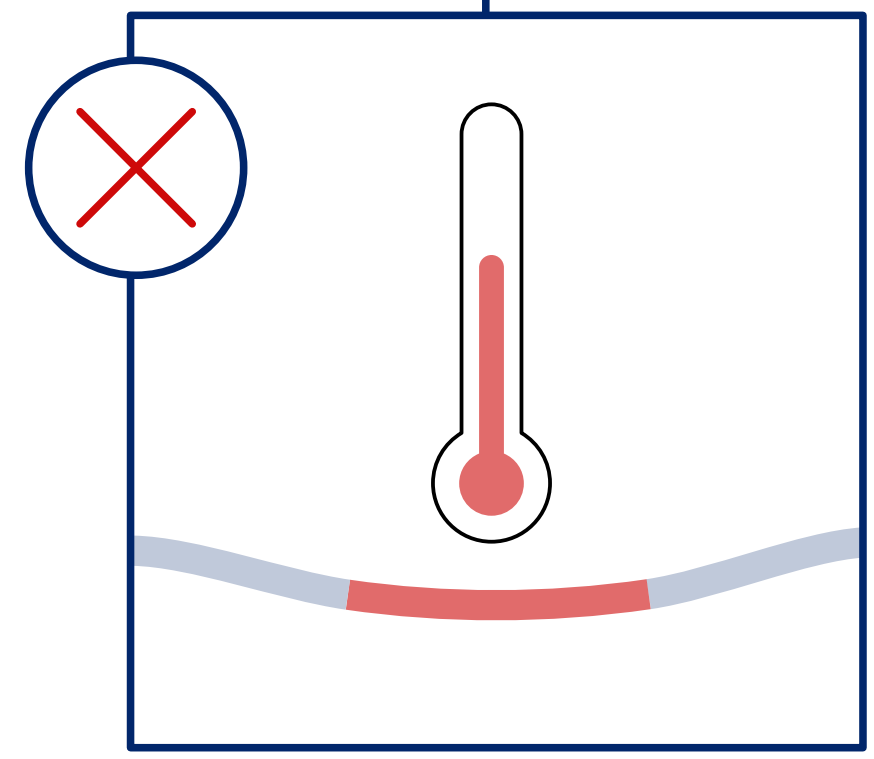
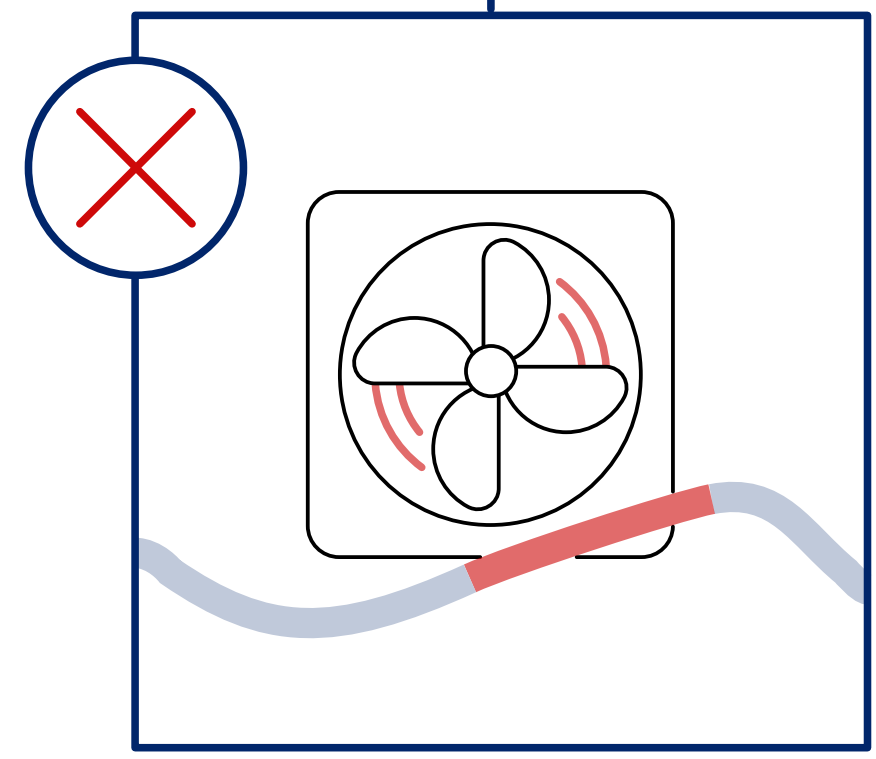
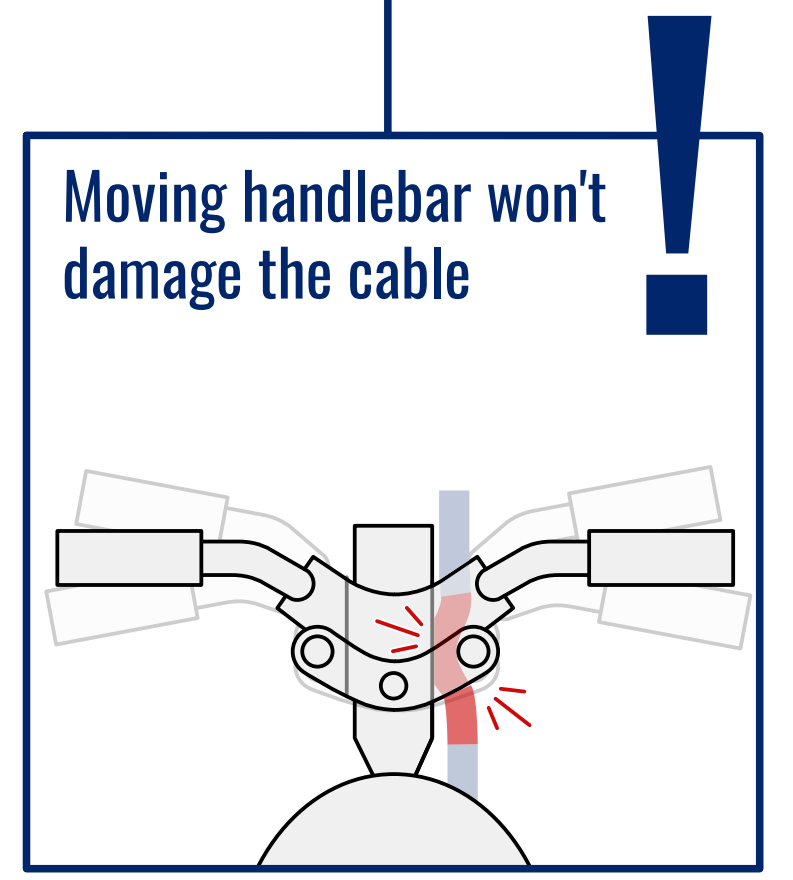
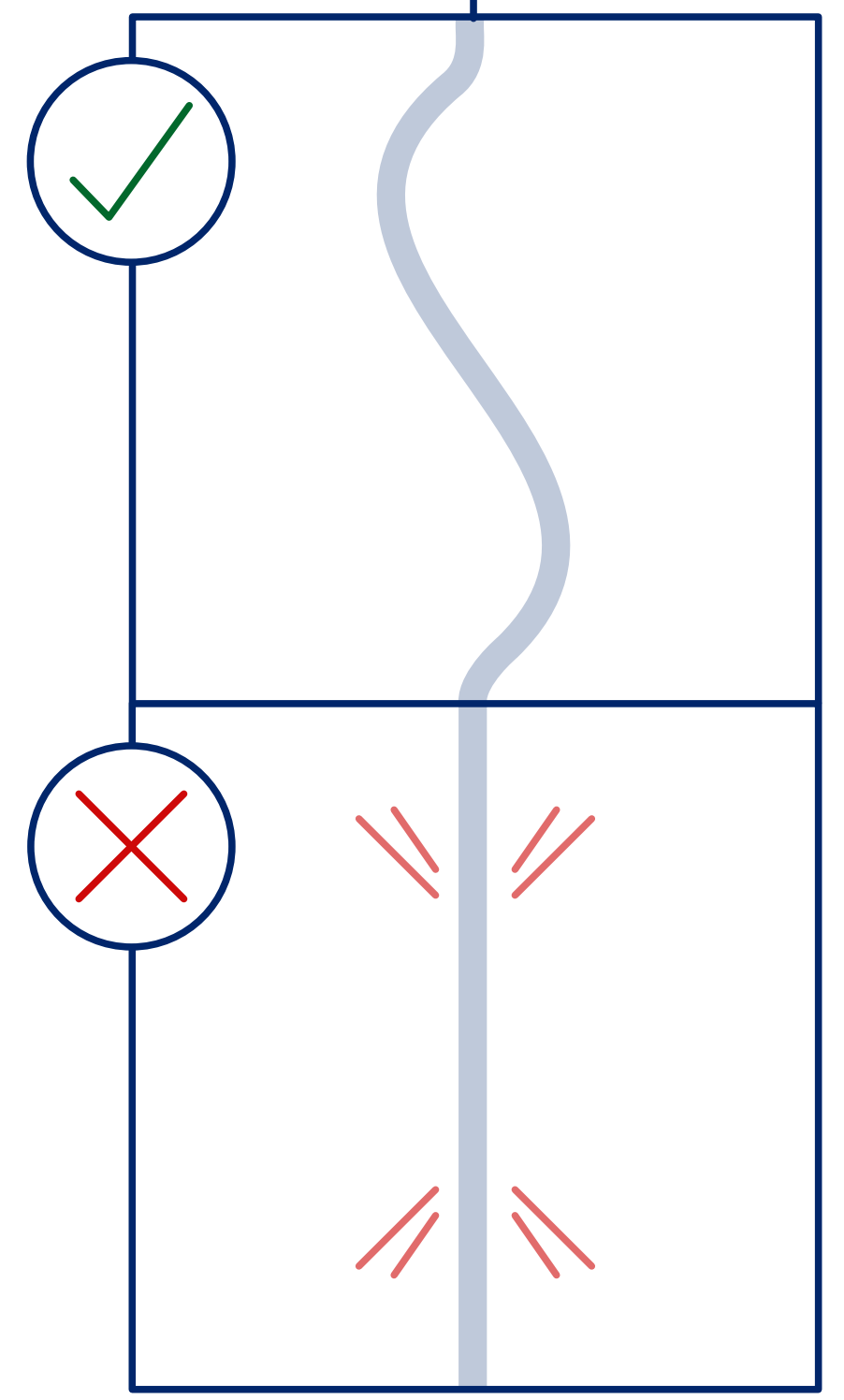
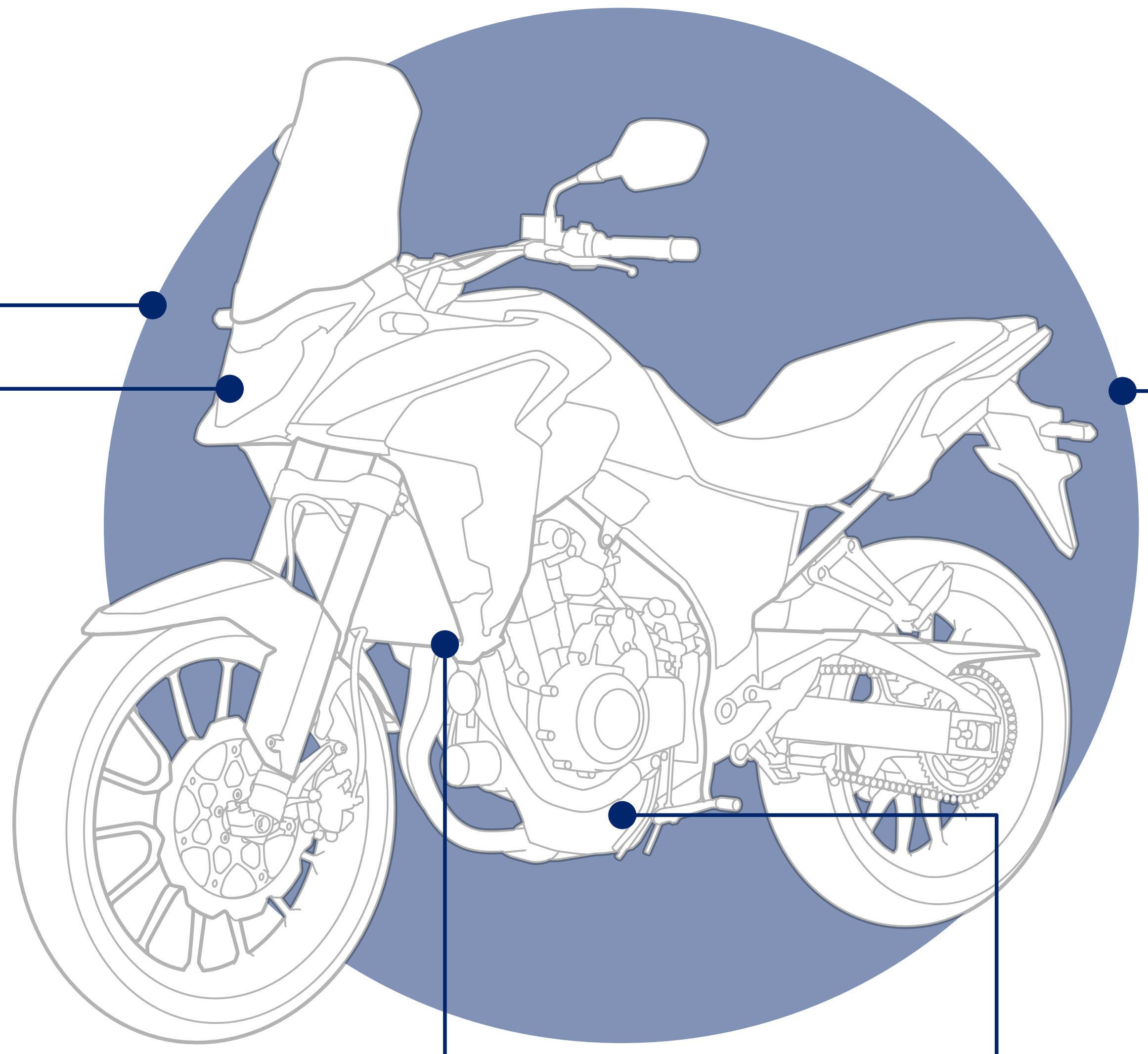
TORX T10



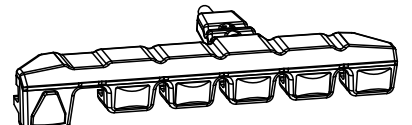
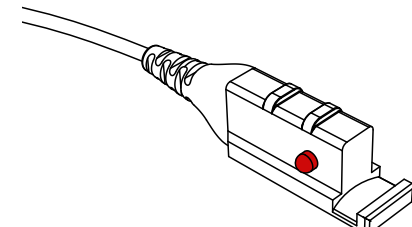
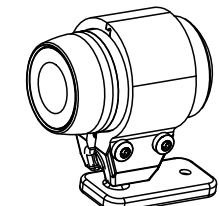
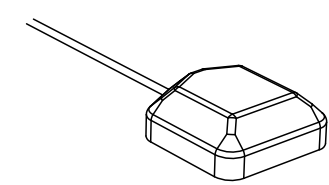
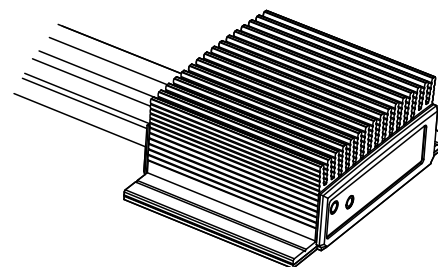
# Adhesive Usage Guide

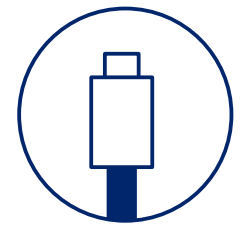
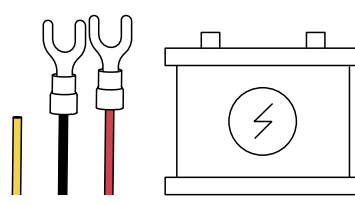
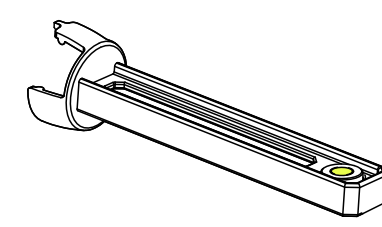
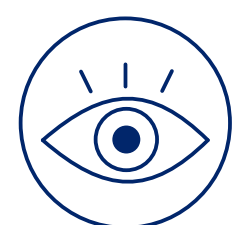
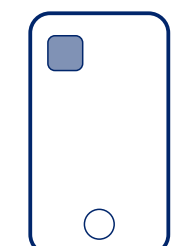


# Wiring Guide

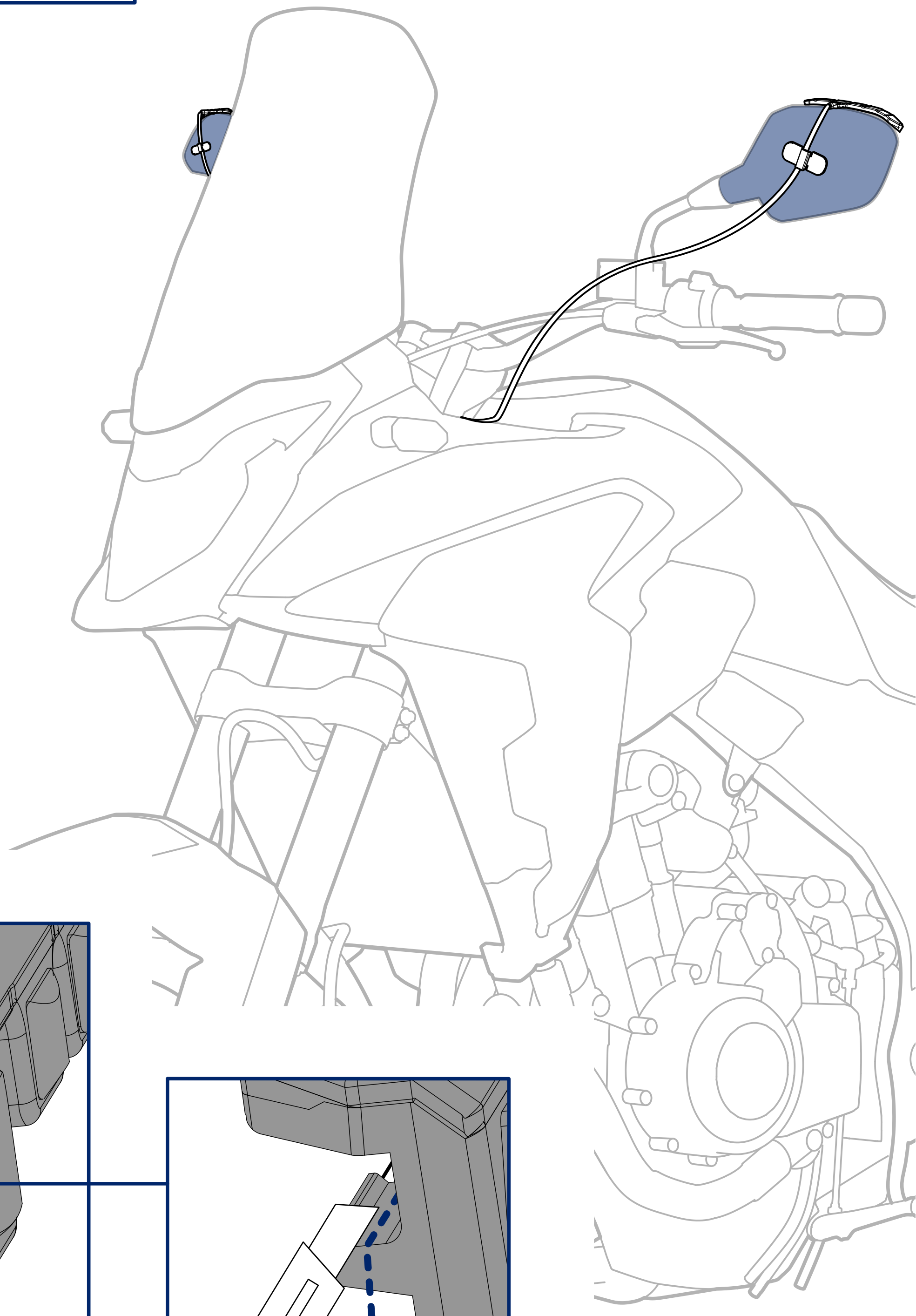
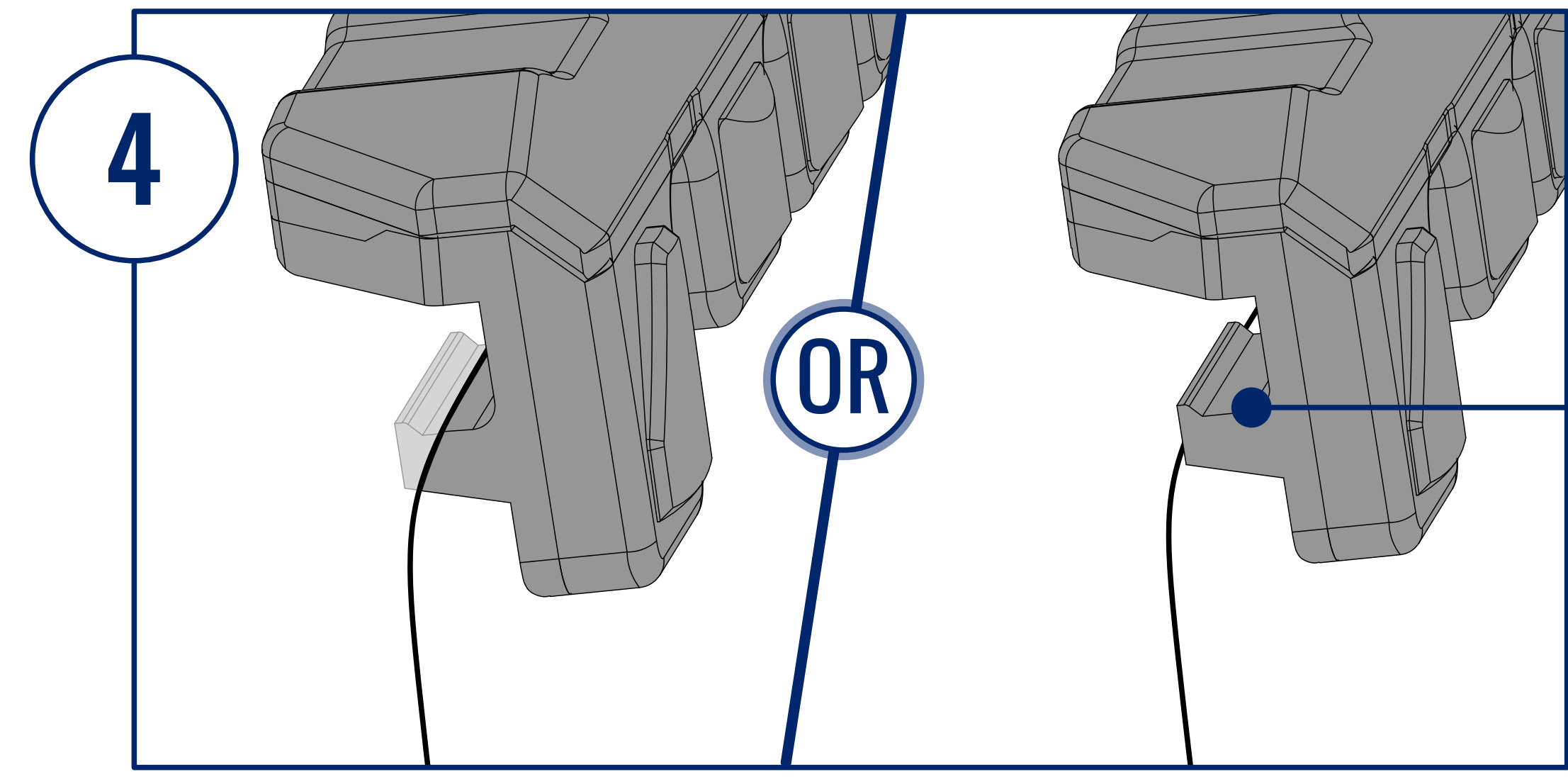
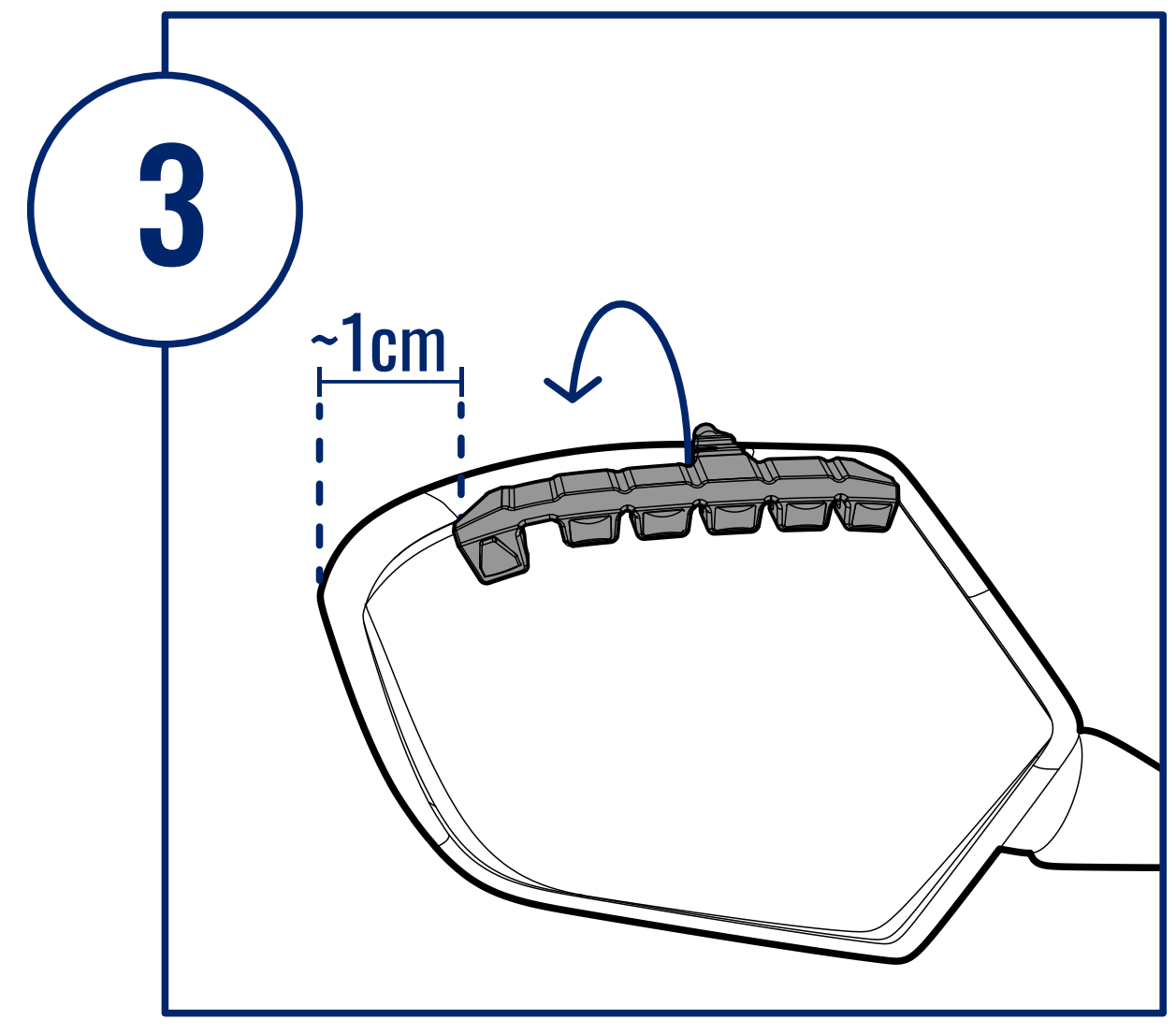
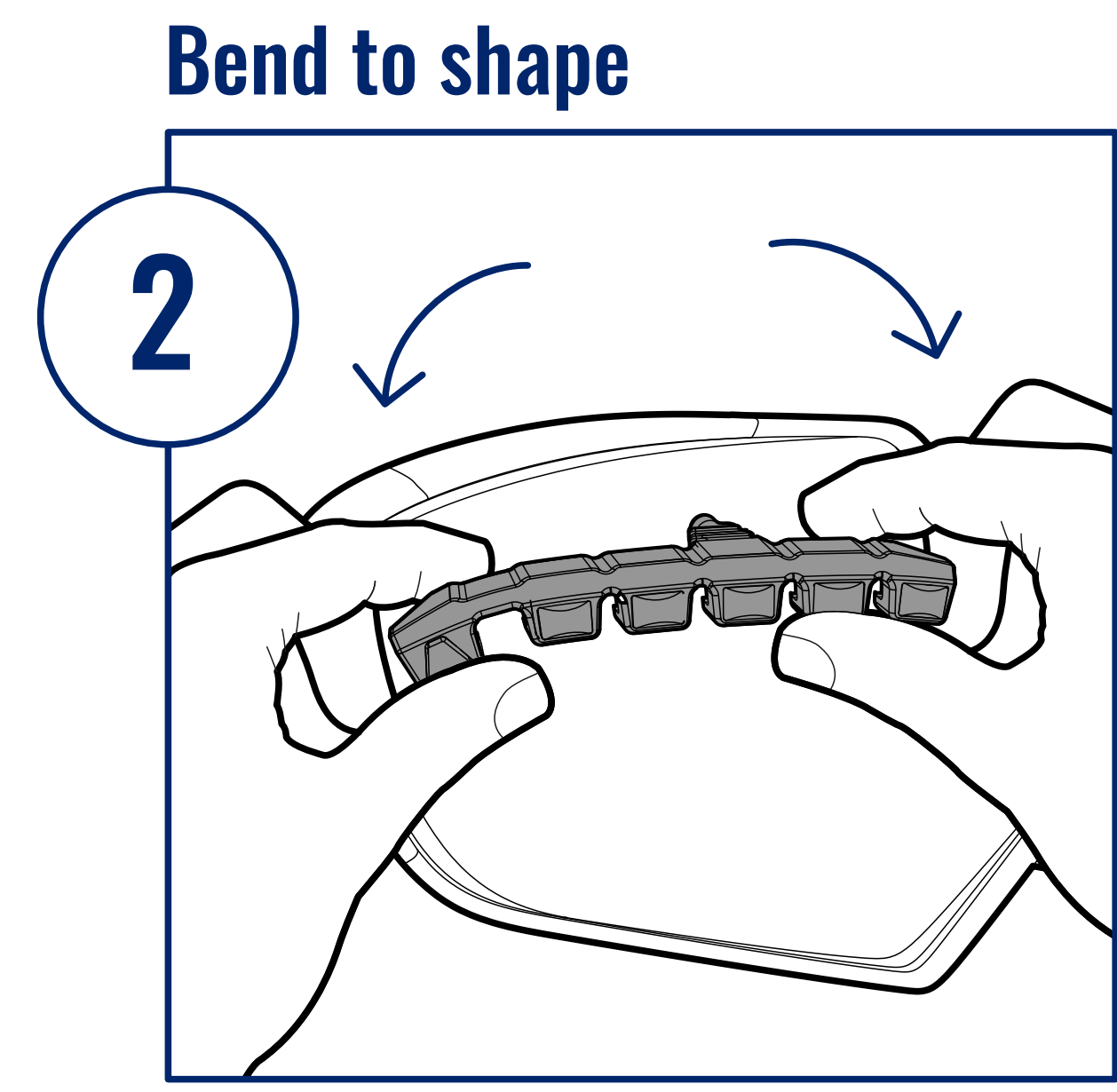
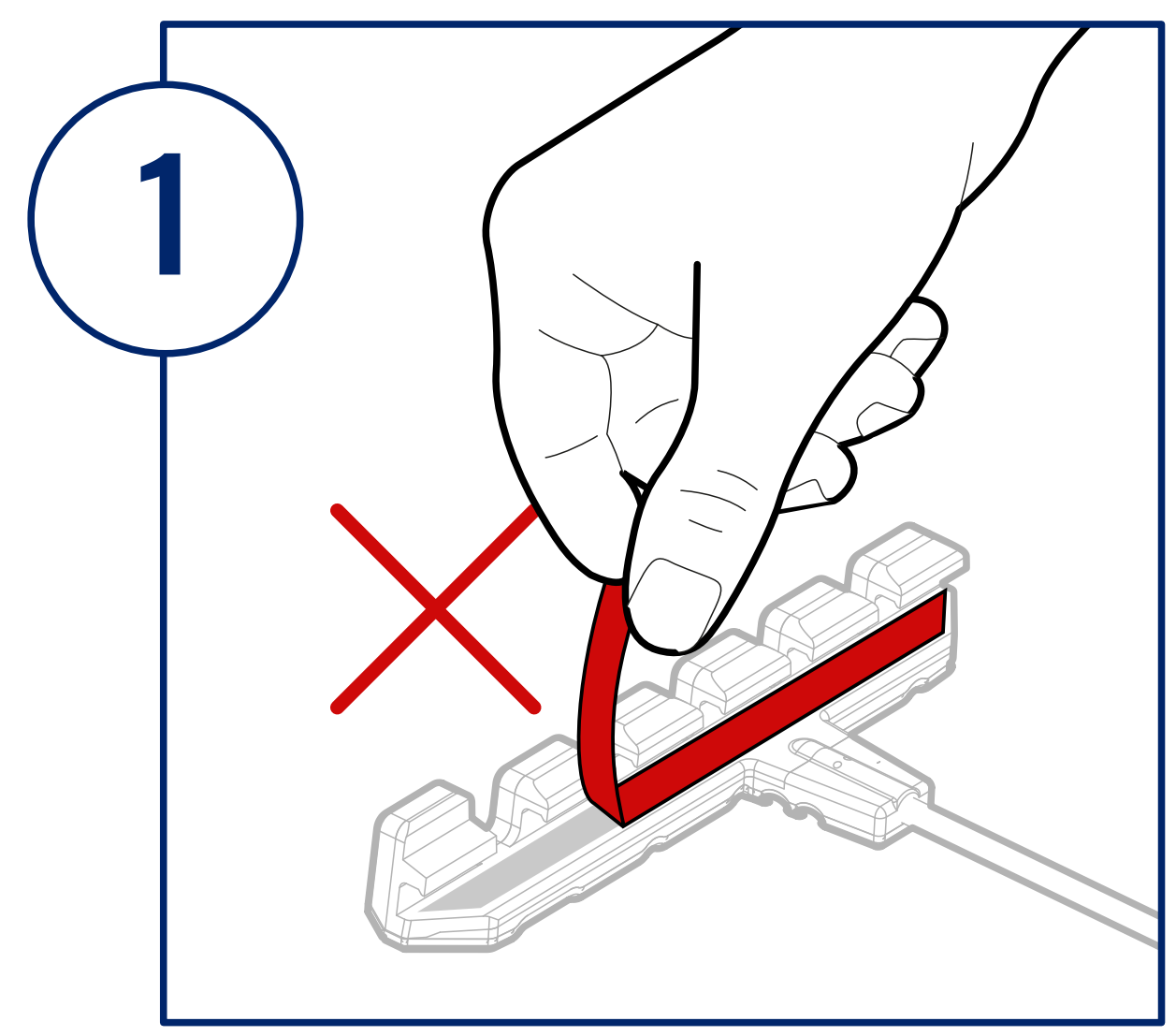
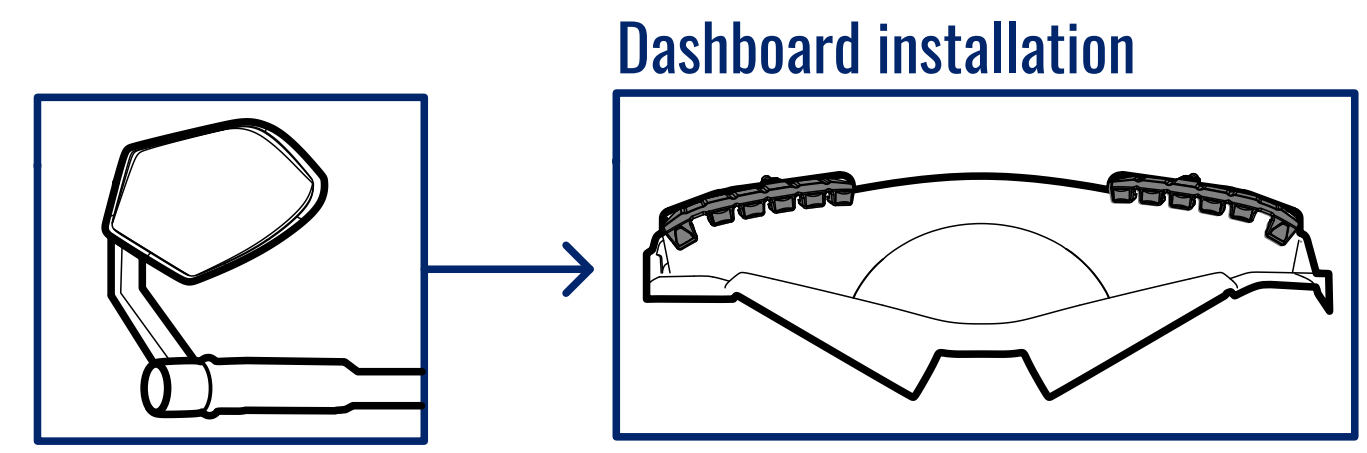
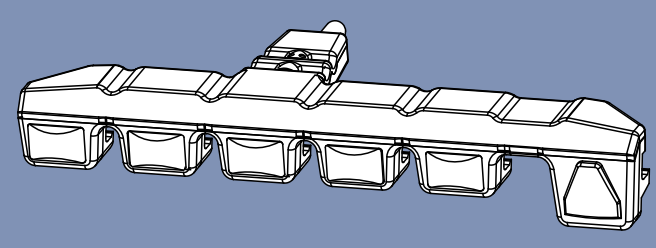
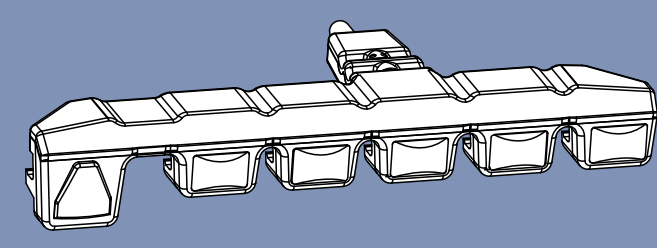




- 1 -  Alert indicators
- 2 -  Speed sensor
- 3 -  Front camera
- 4 -  Rear camera
- 5 -  GPS
- 6 -  Main unit

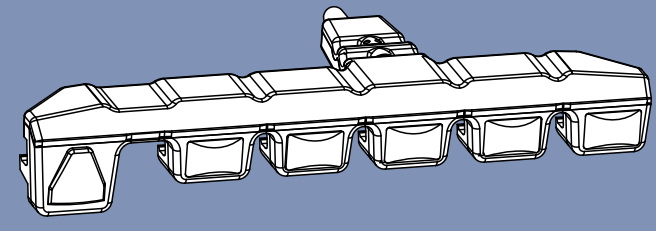
- 7 -  Cable connection
- 8 -  Battery connection
- 9 -  Leveling
- 10 -  Validation
- 11 -  Mobile app

**1** Left Indicator Right Indicator

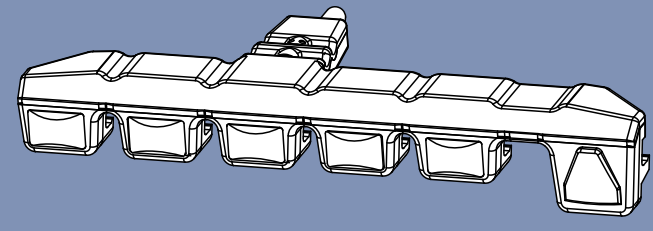


1

Left Indicator

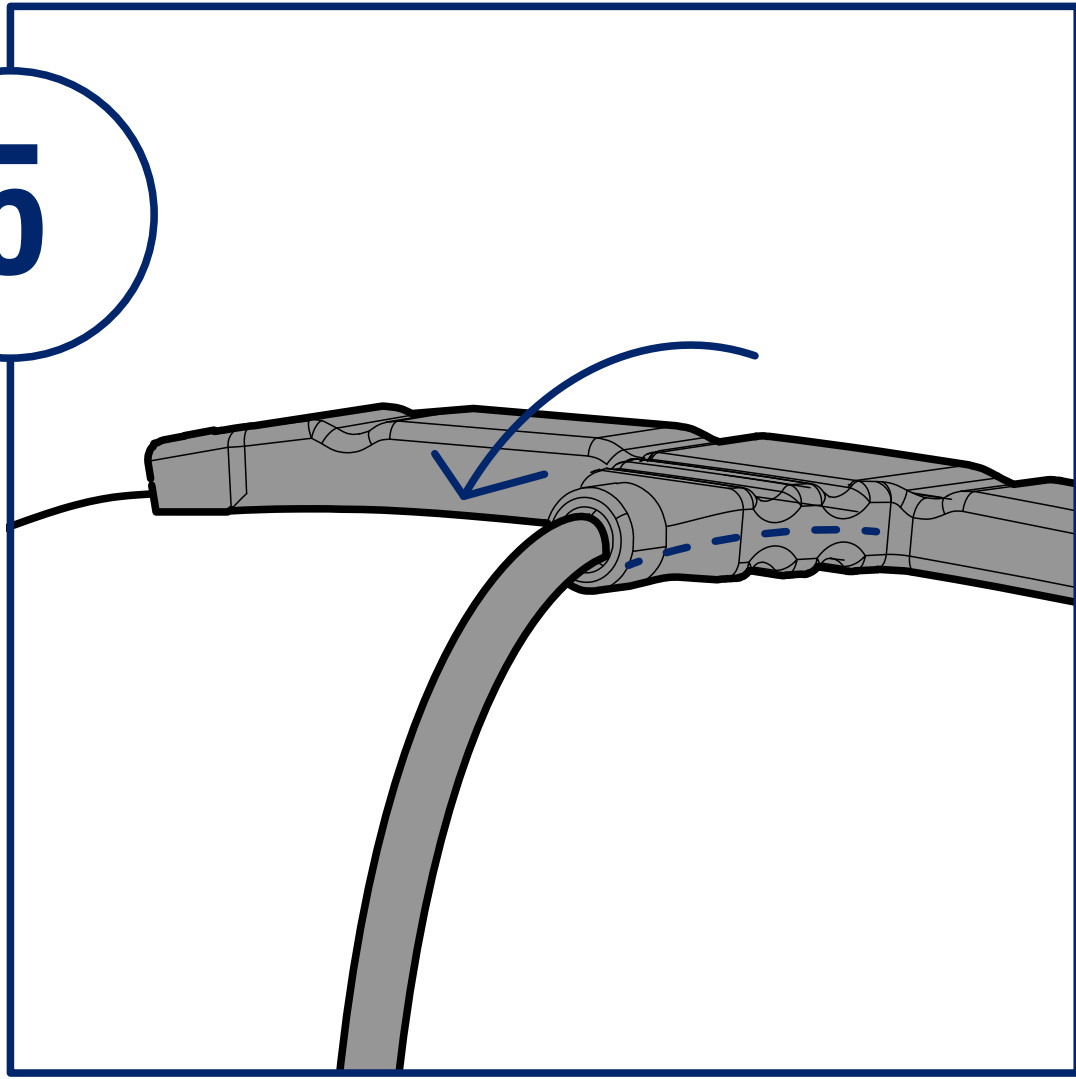


Right Indicator

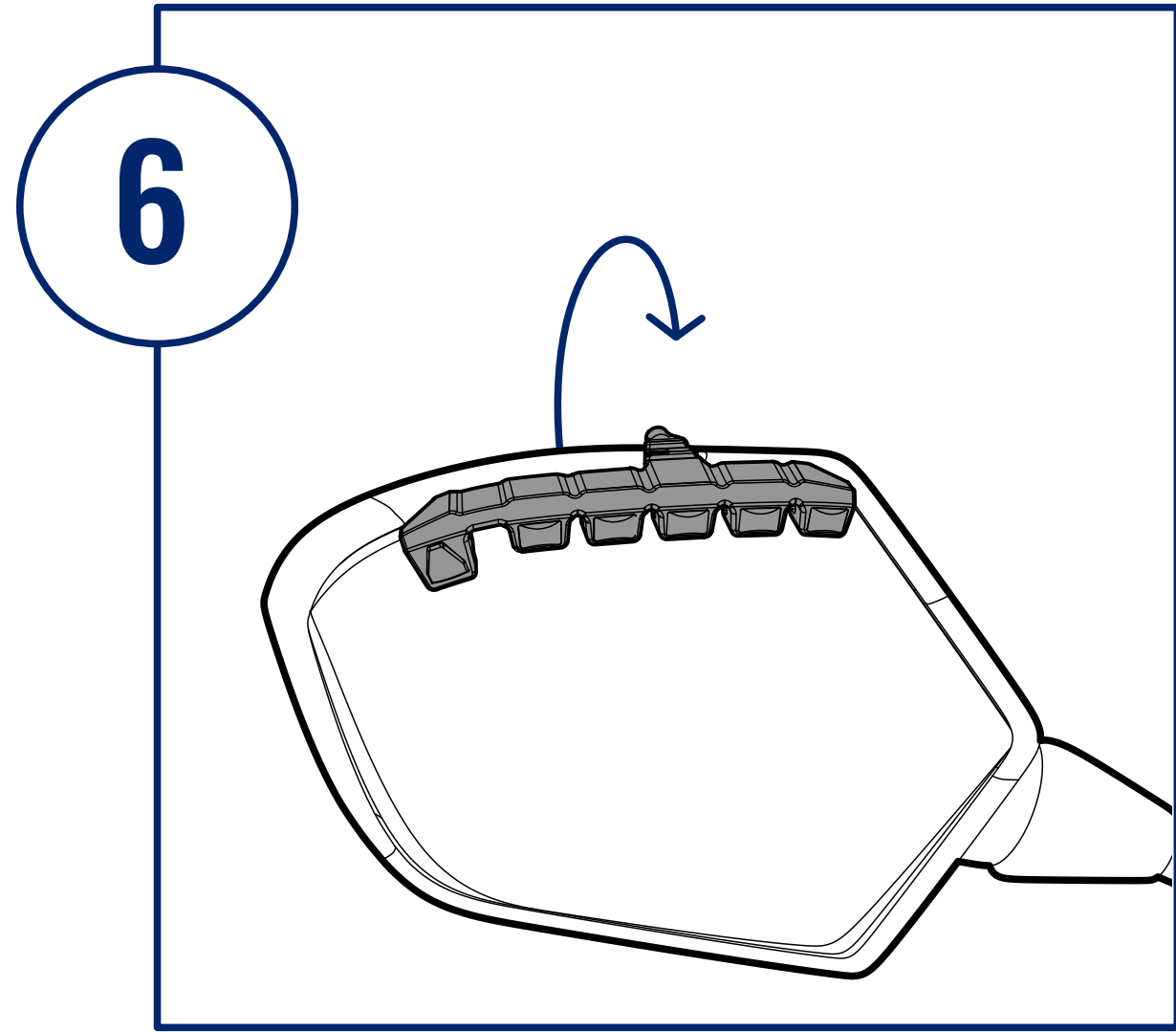


Bend to shape

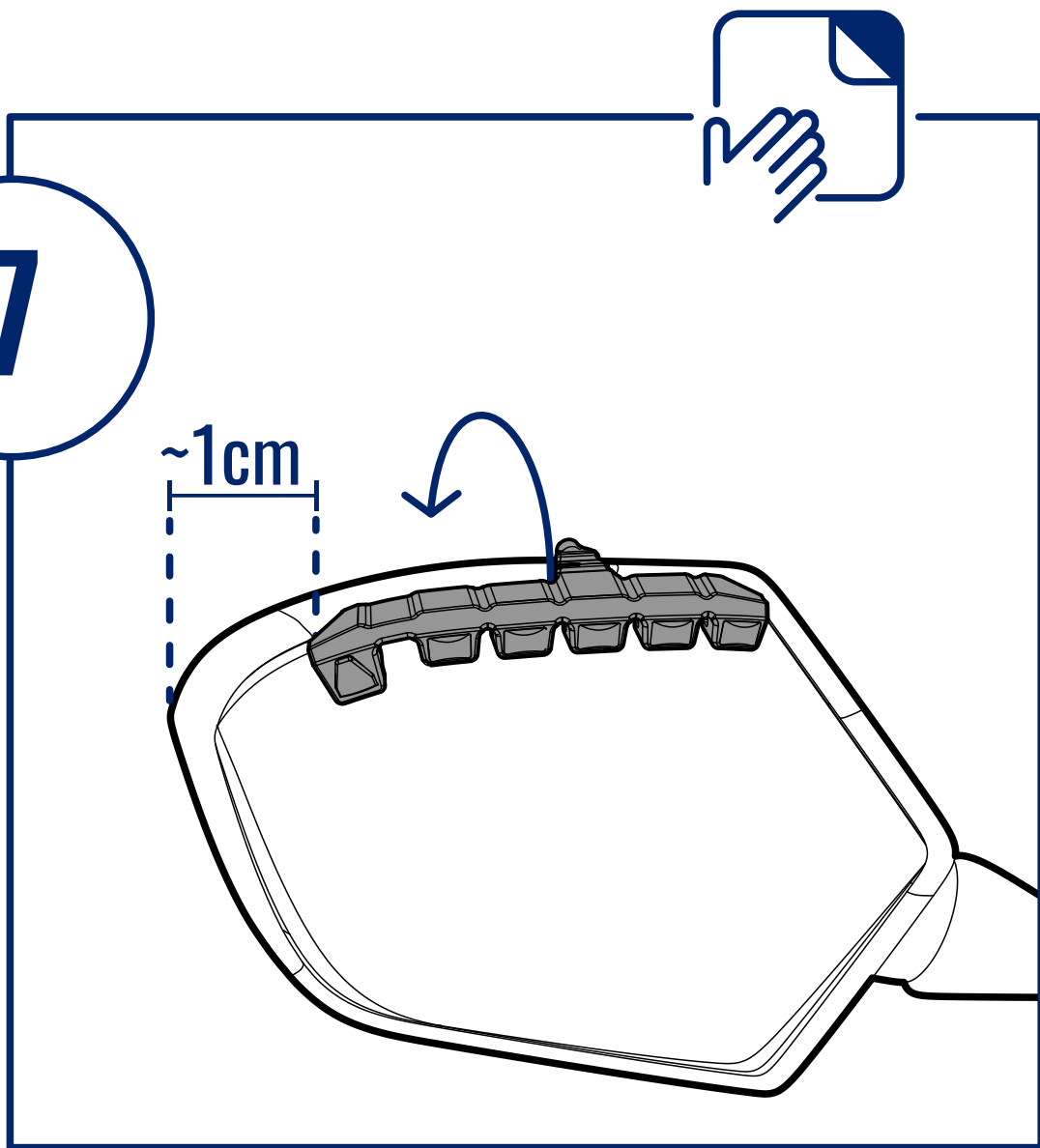
5



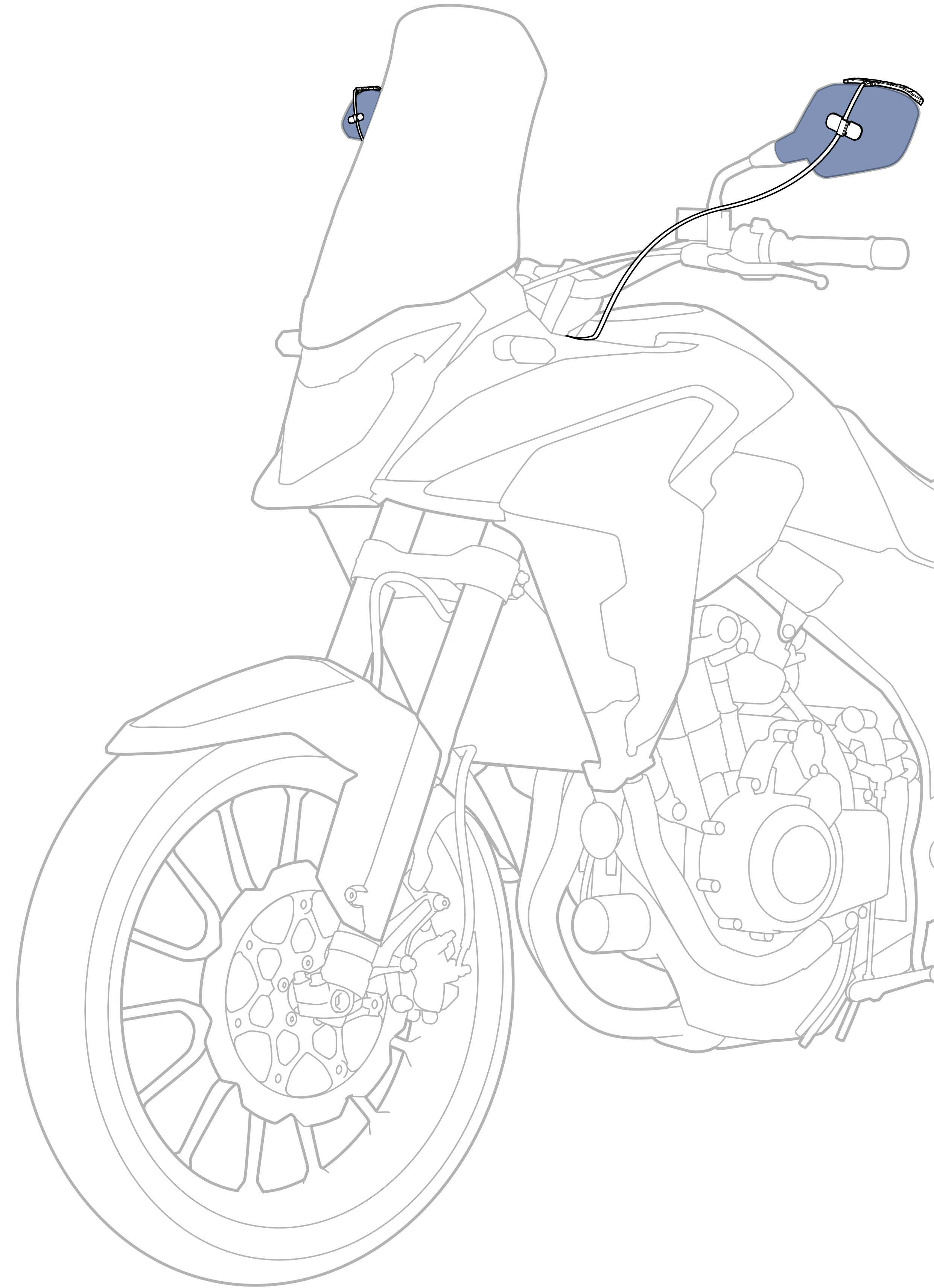
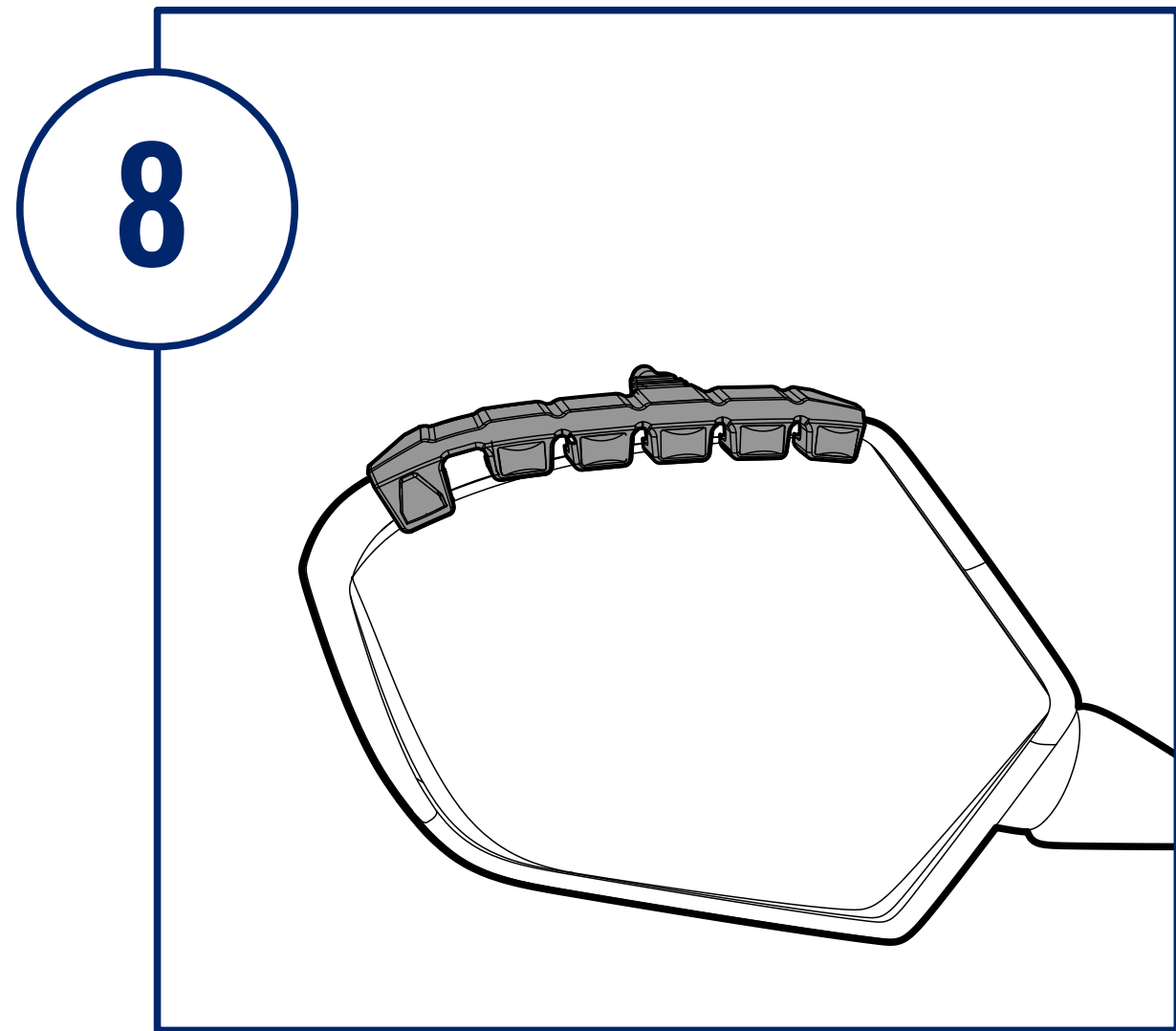
6



7

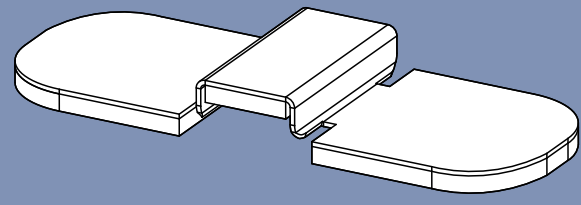


8





1.A

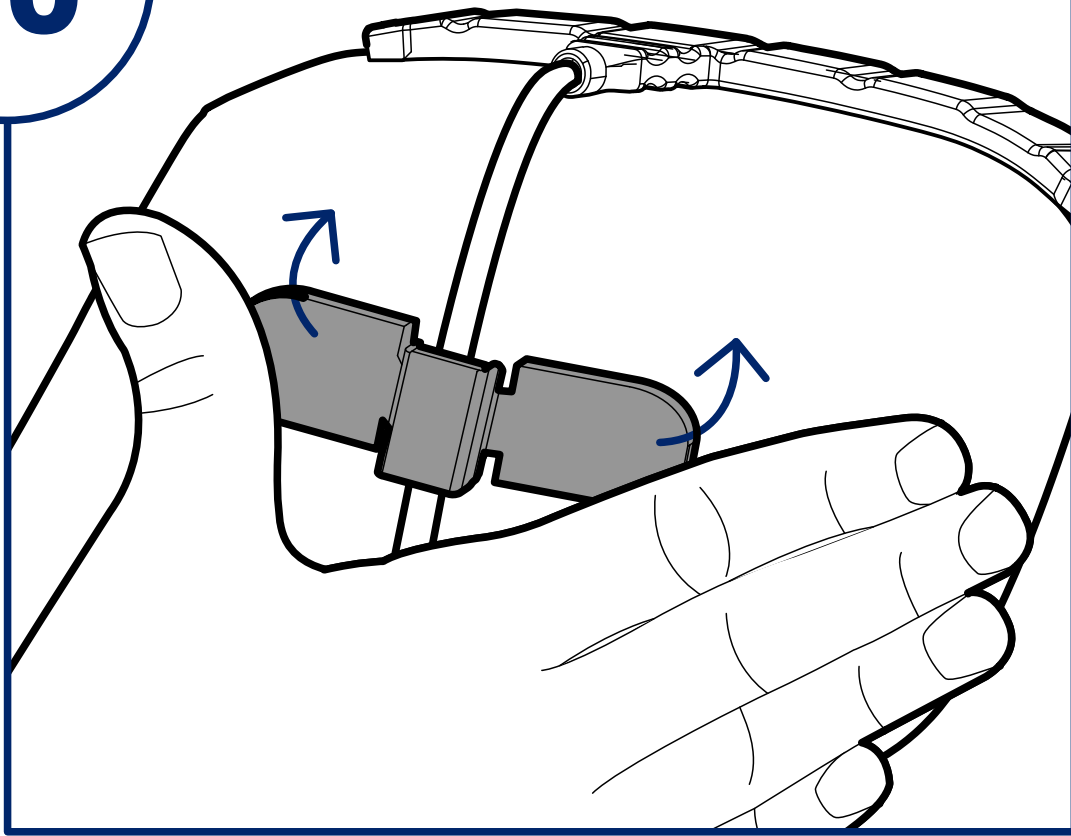


X2 R/L

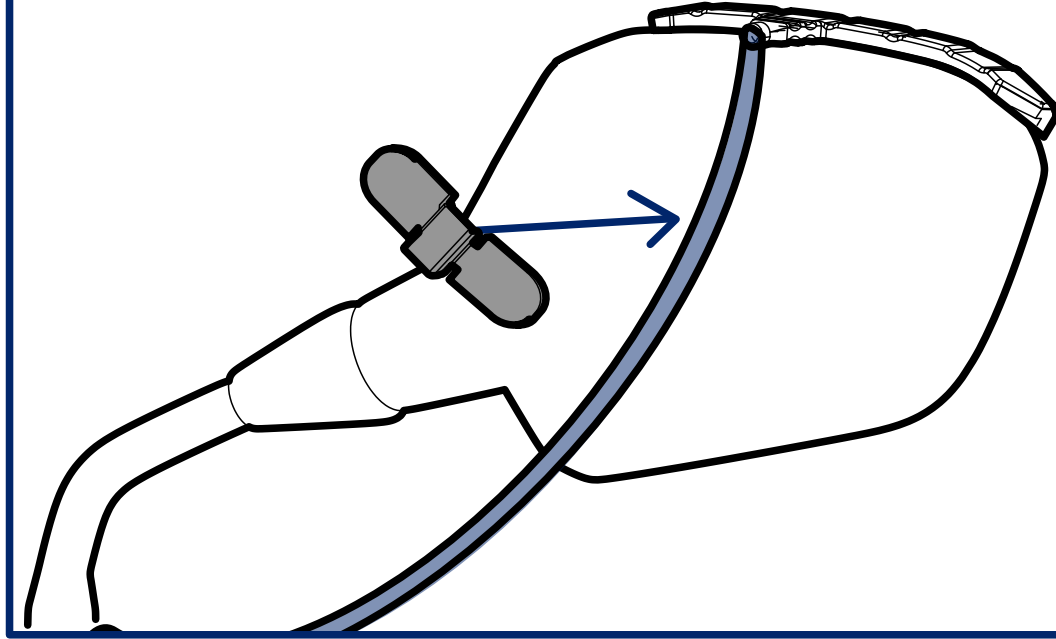
Bend to shape



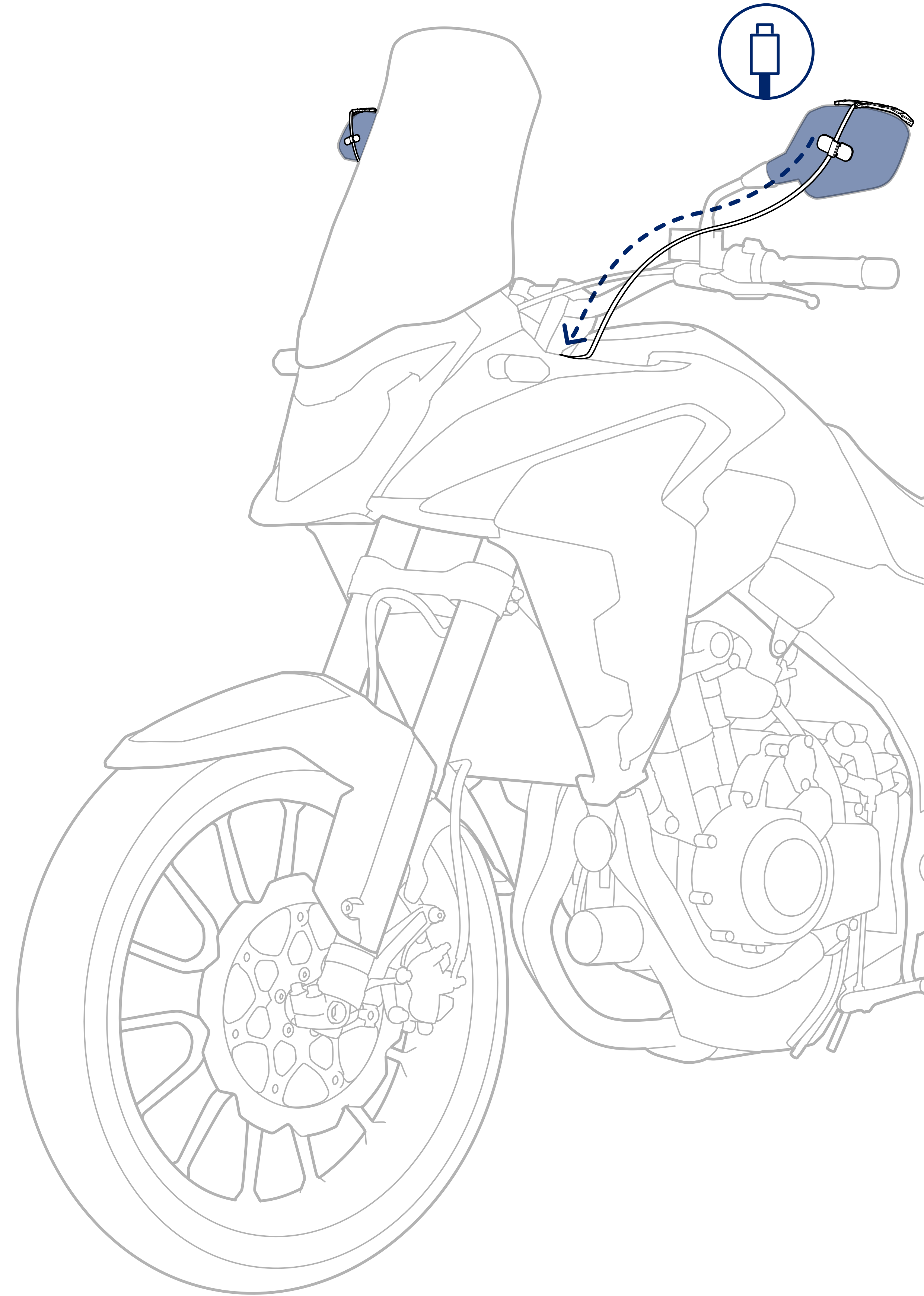
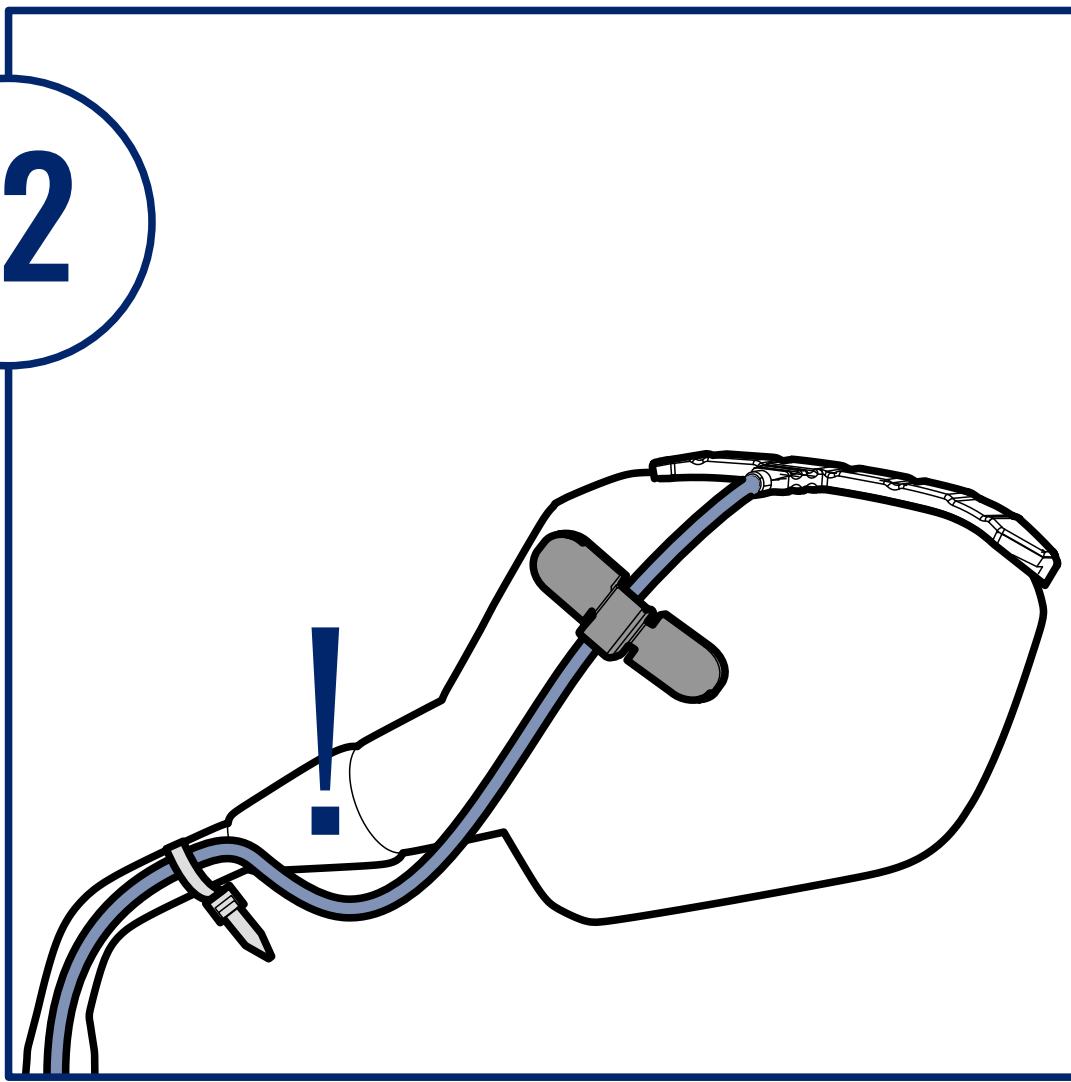
10



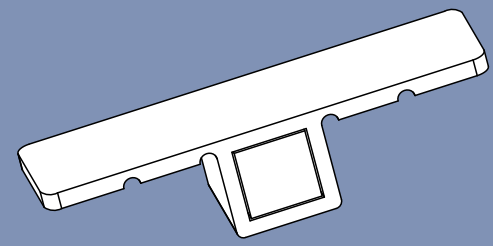
11



12

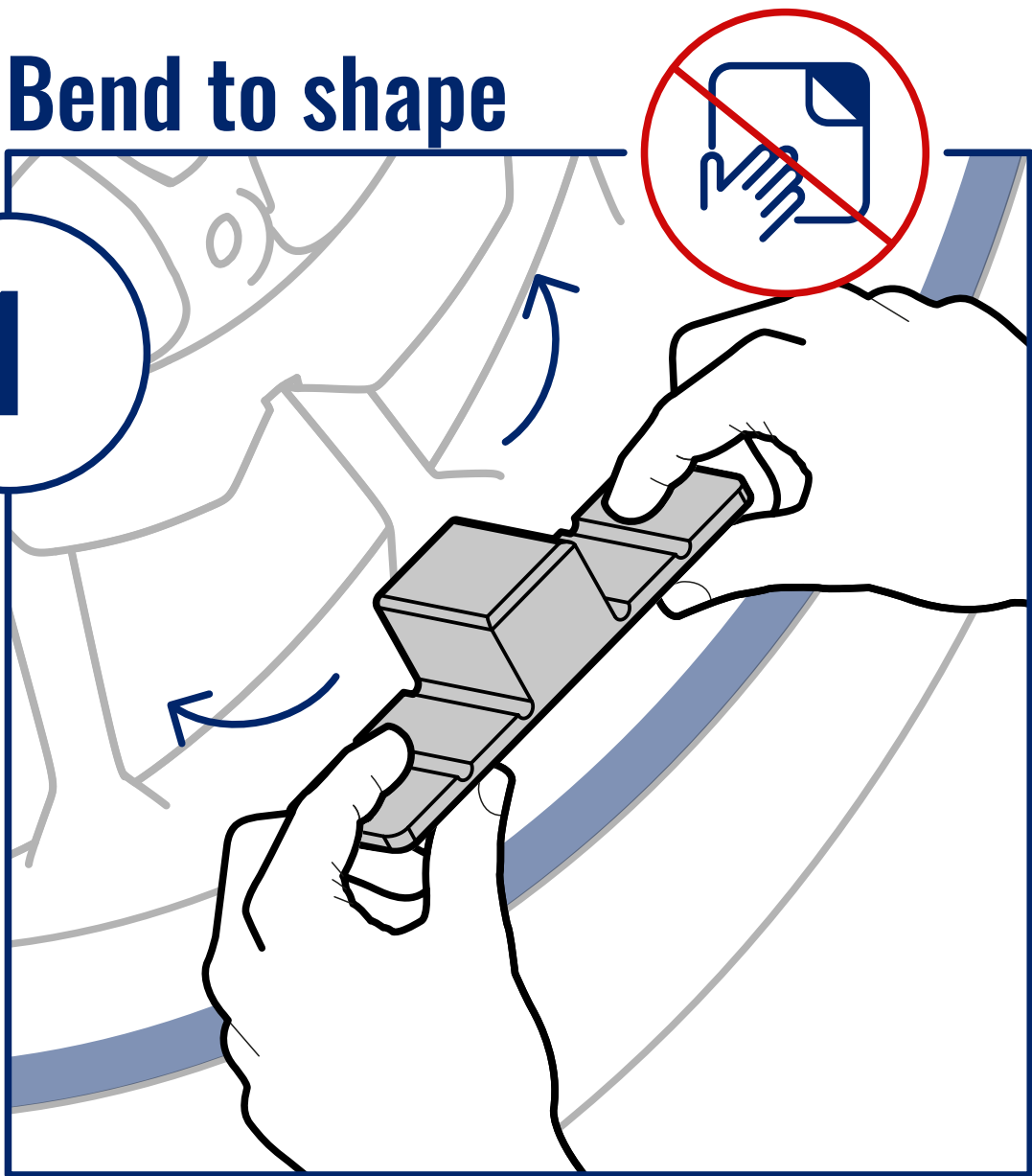


2

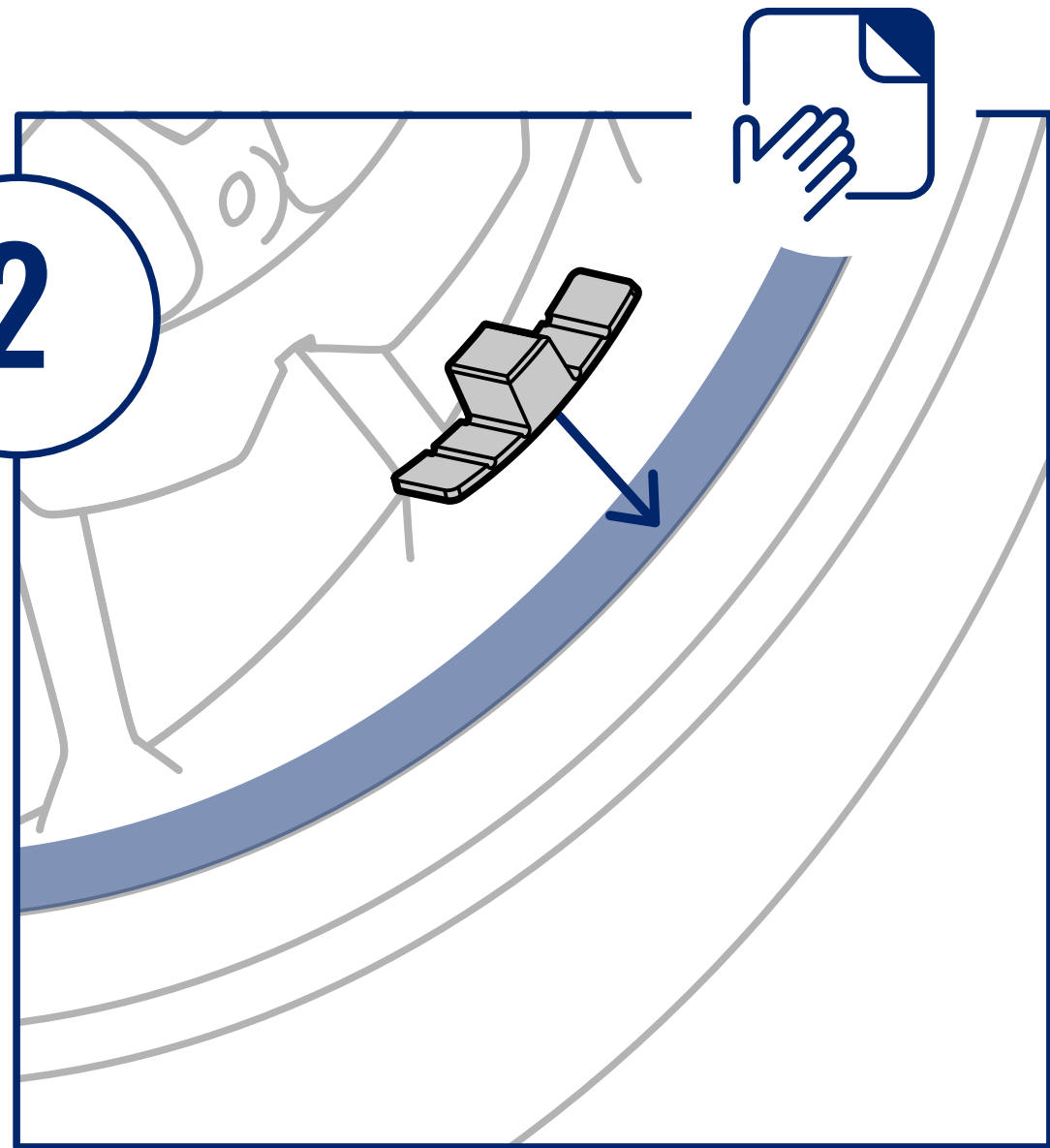


Bend to shape

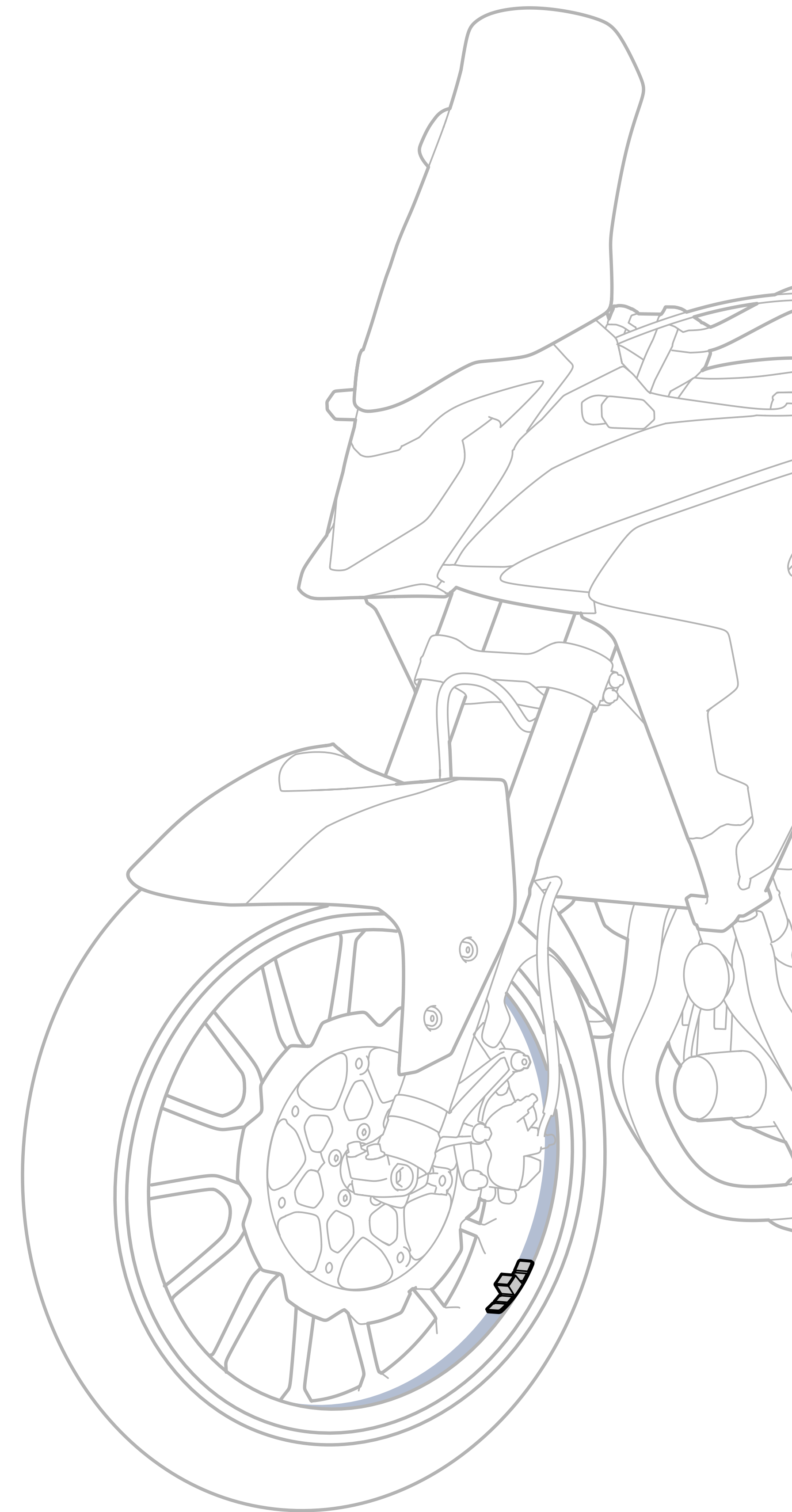
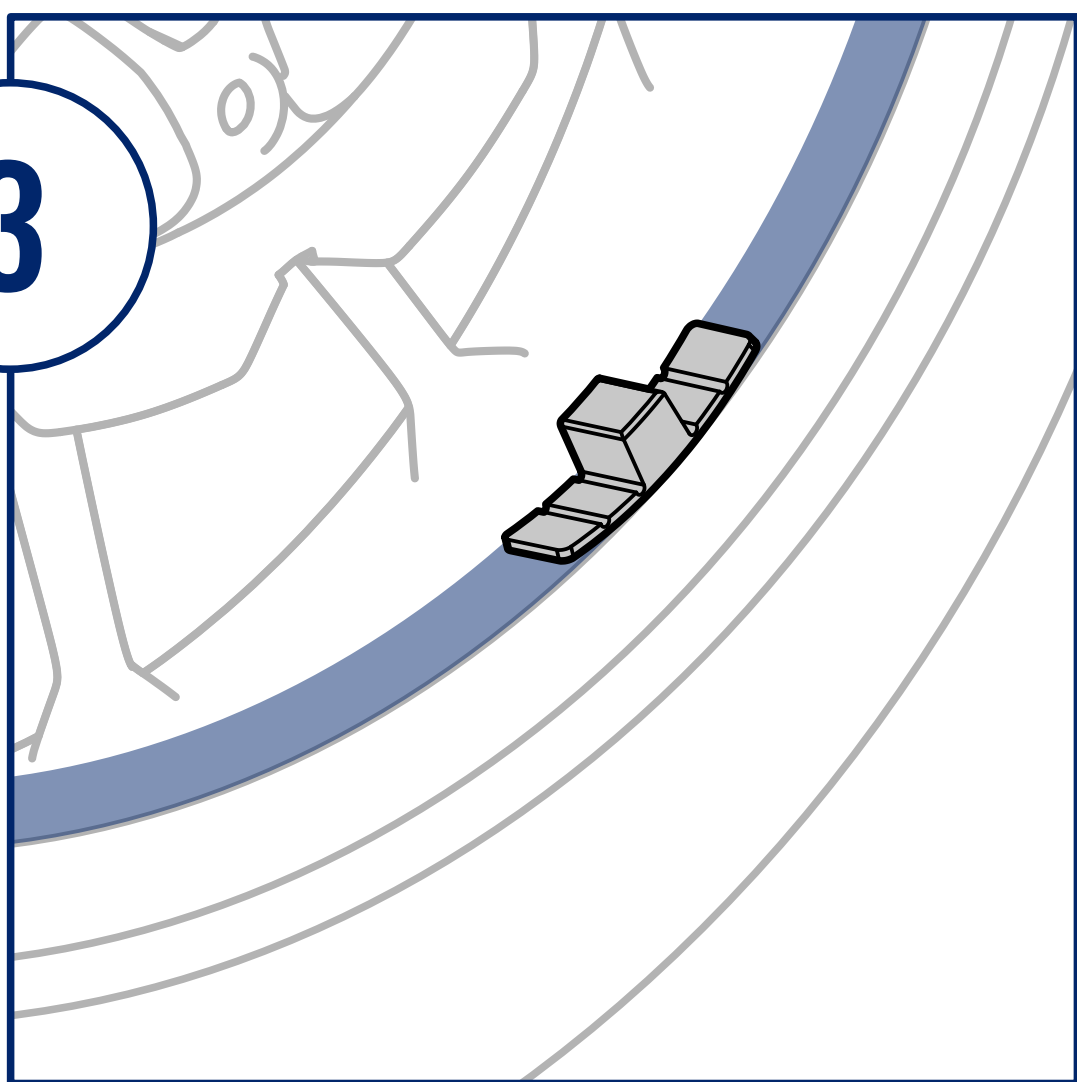
1



2



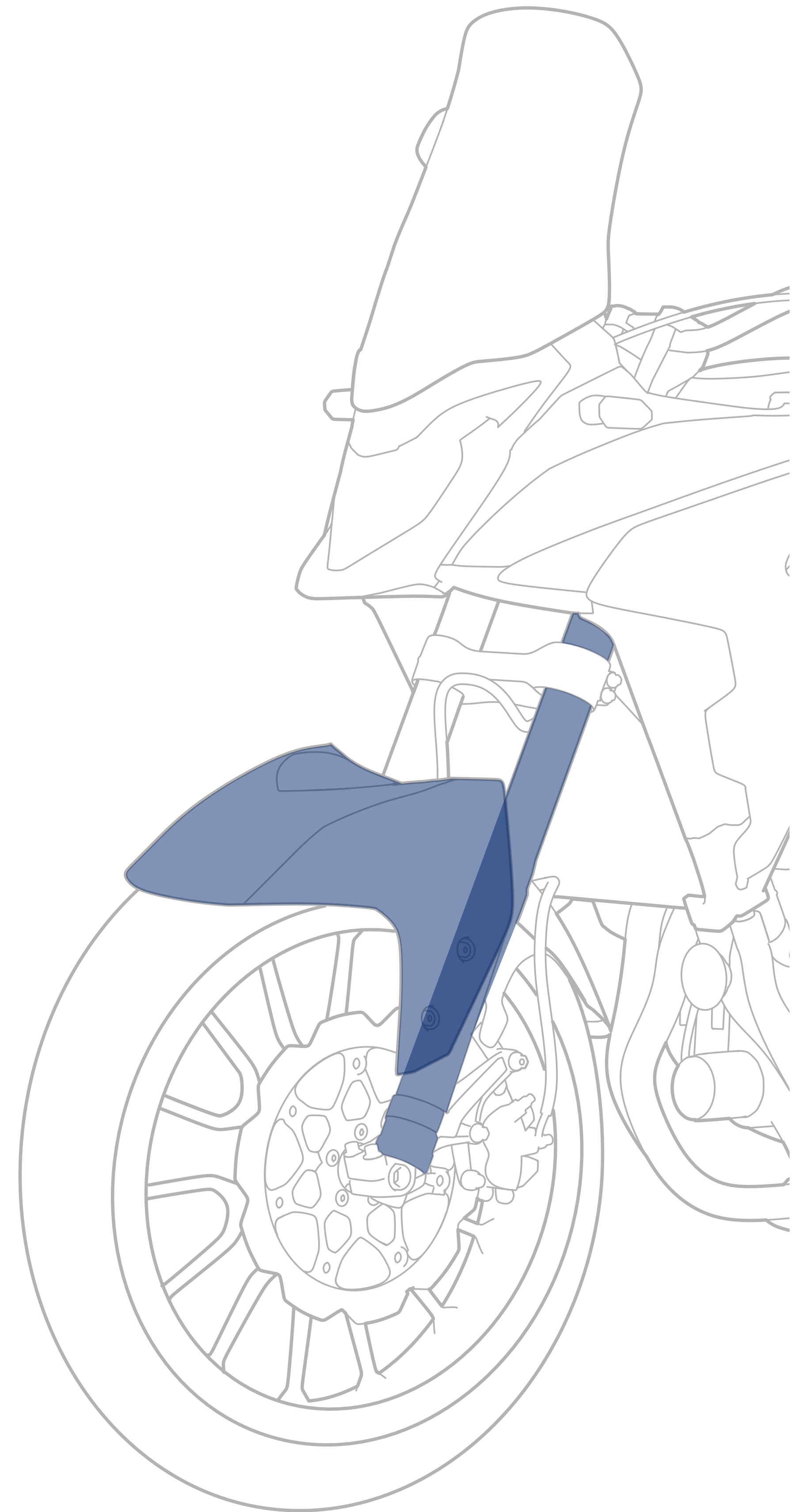
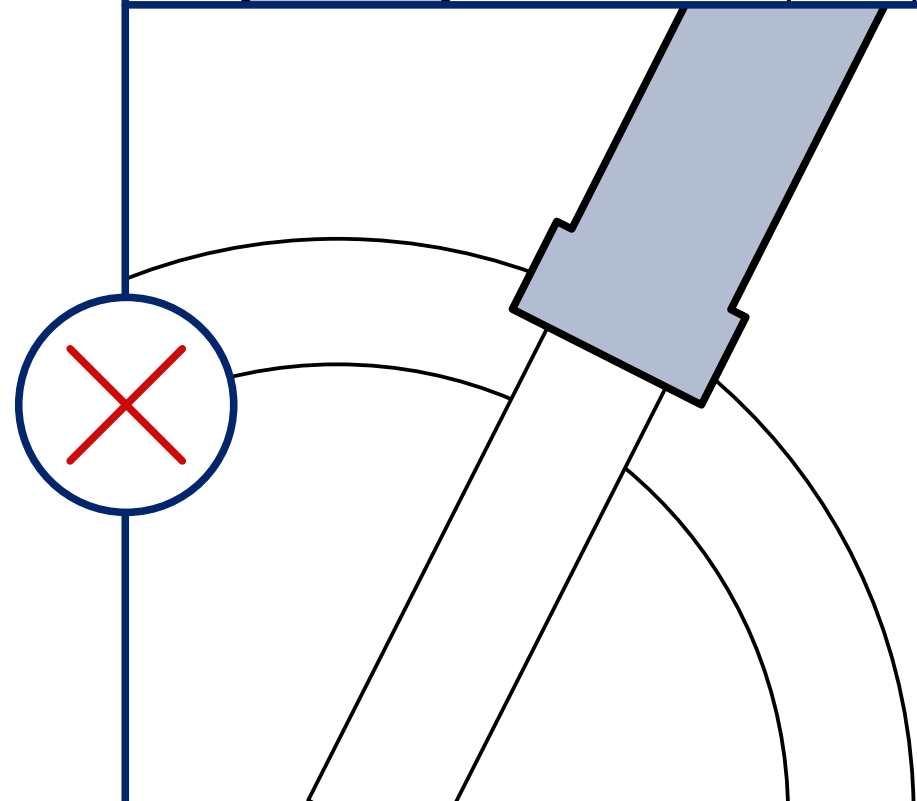
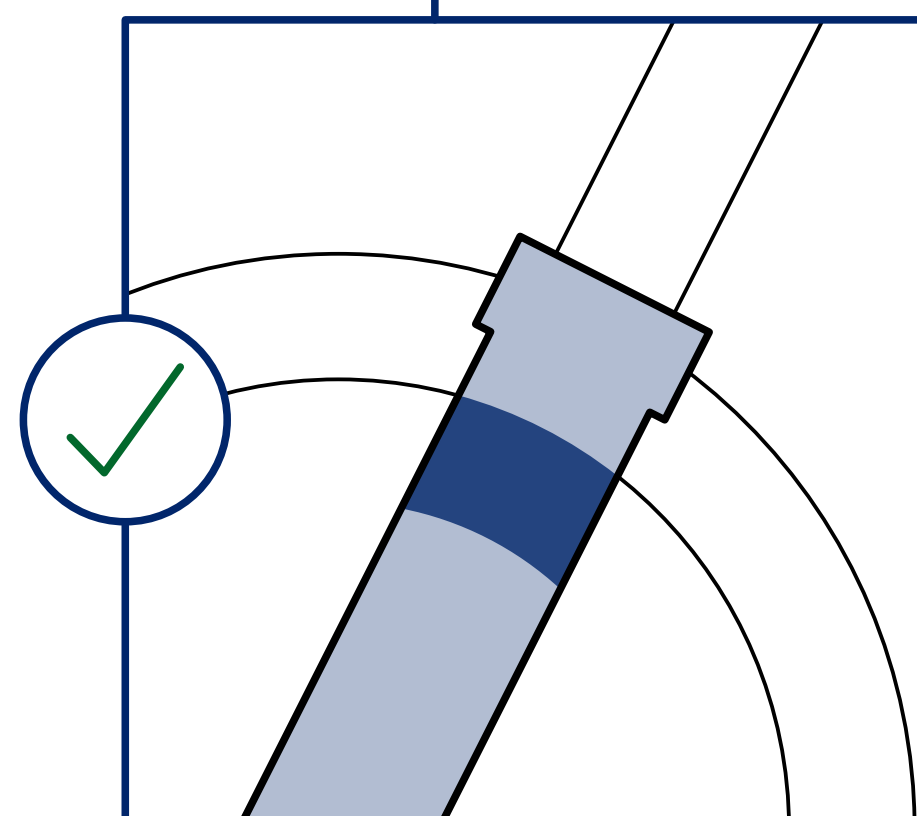
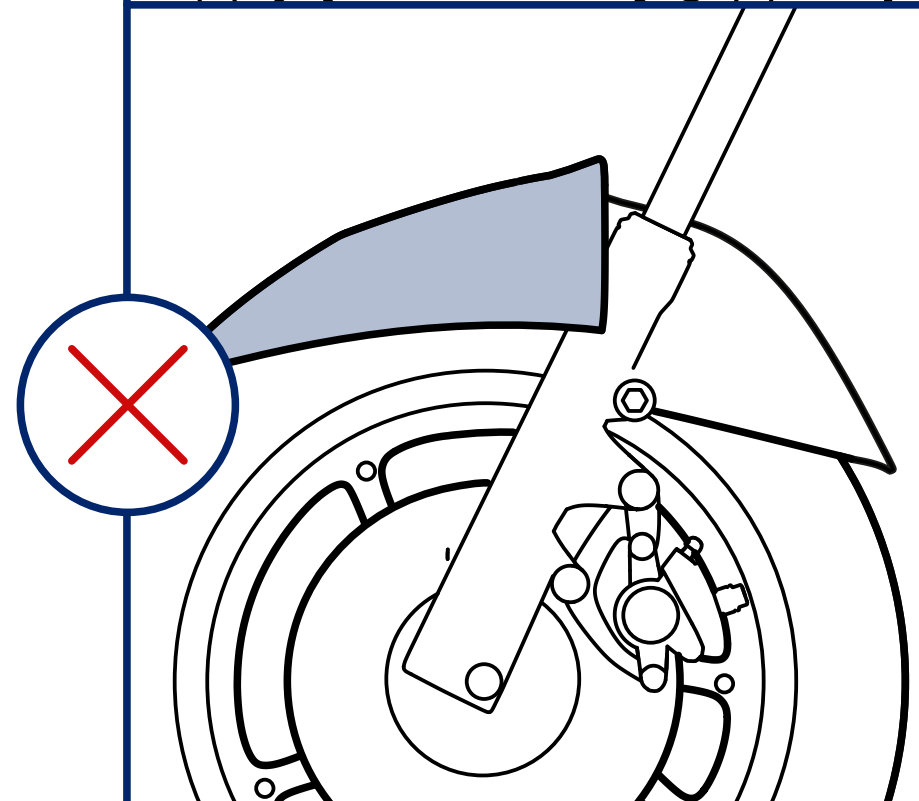
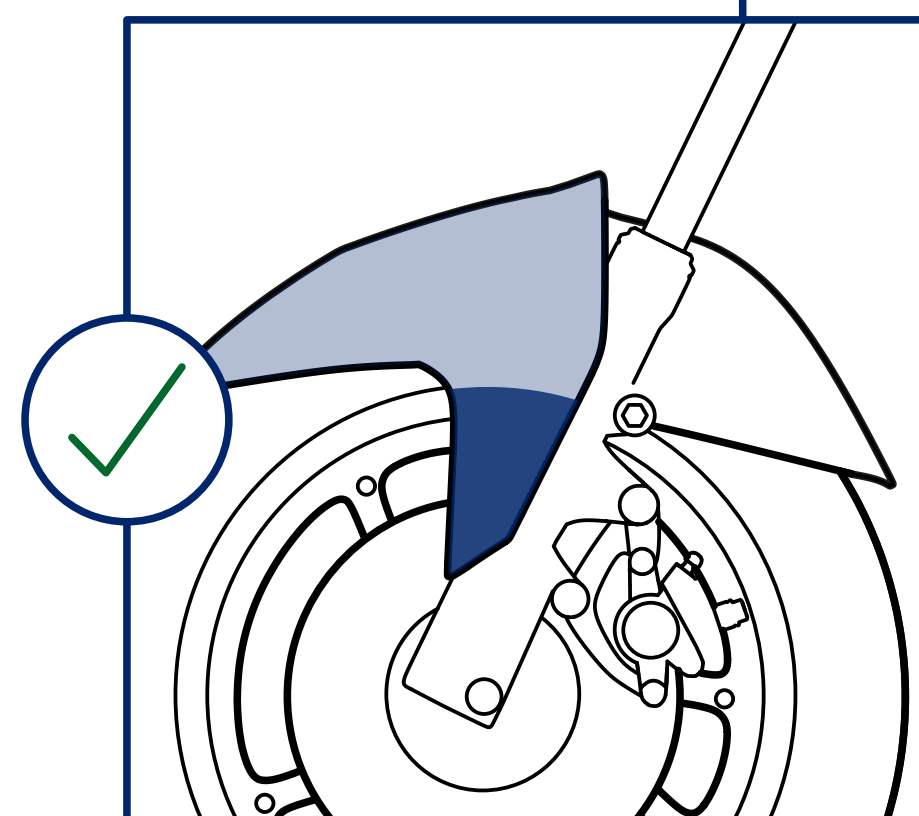
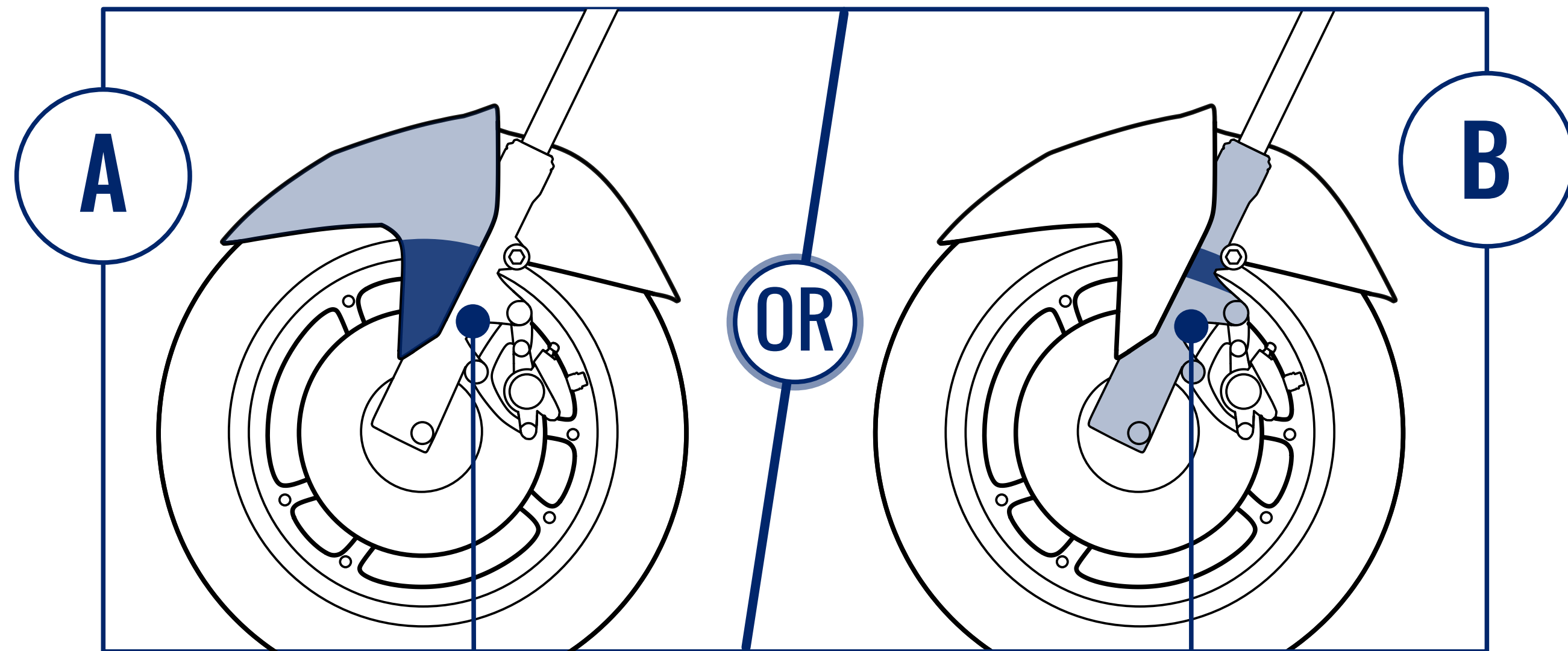
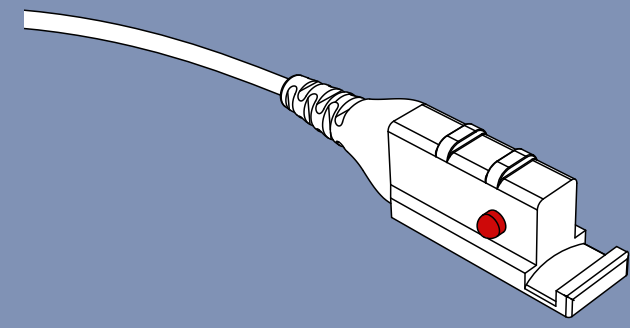
3



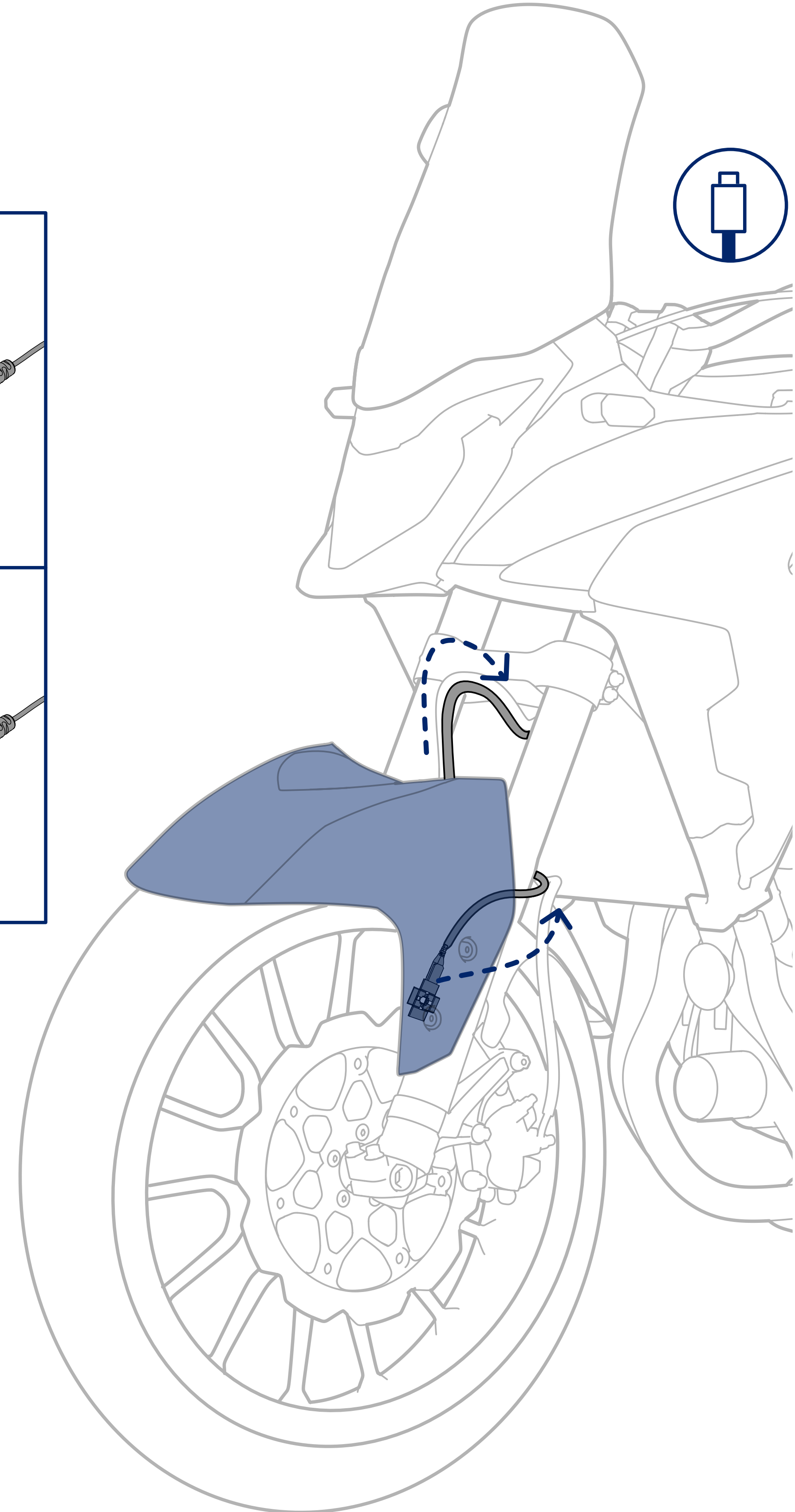
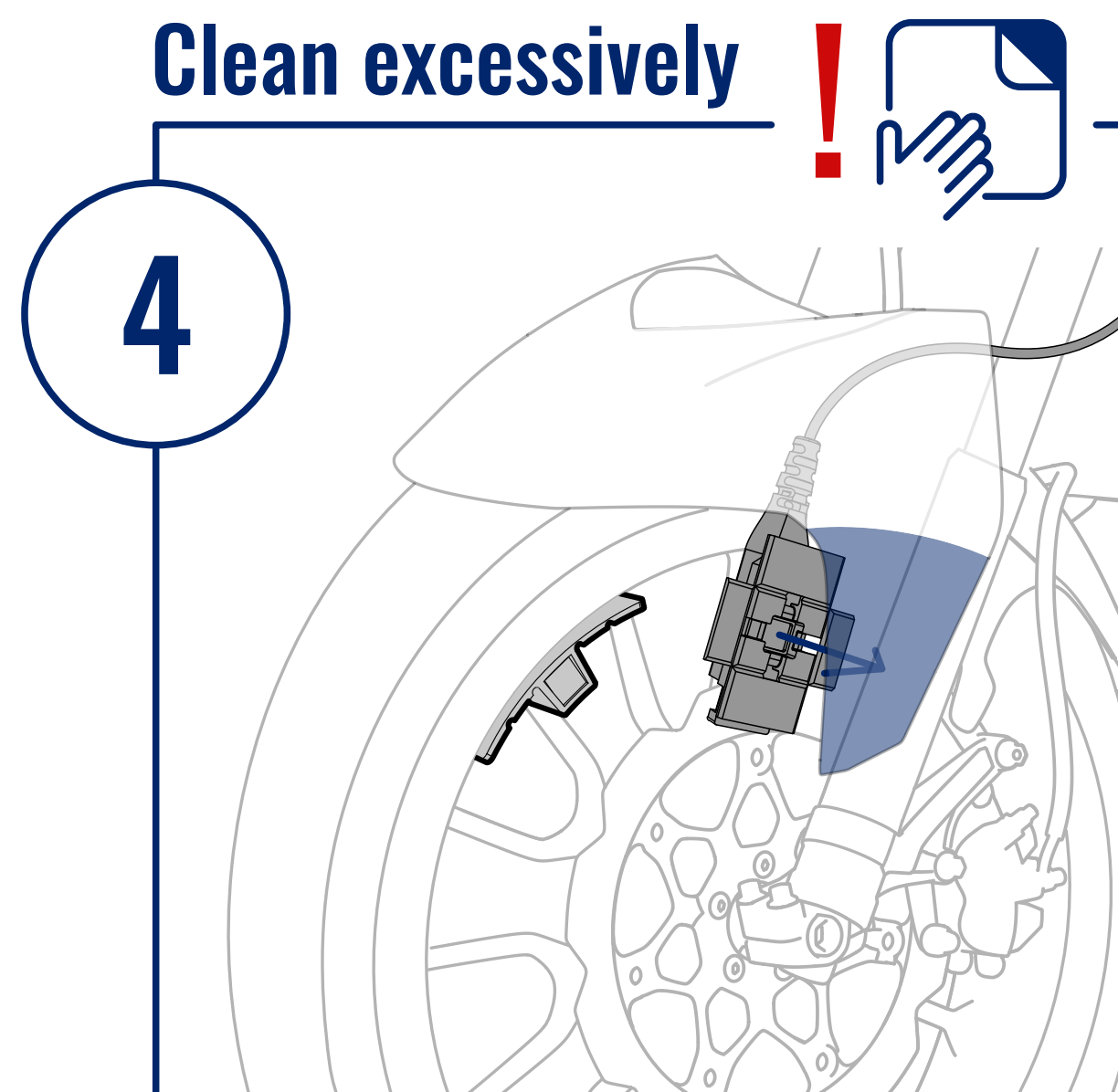
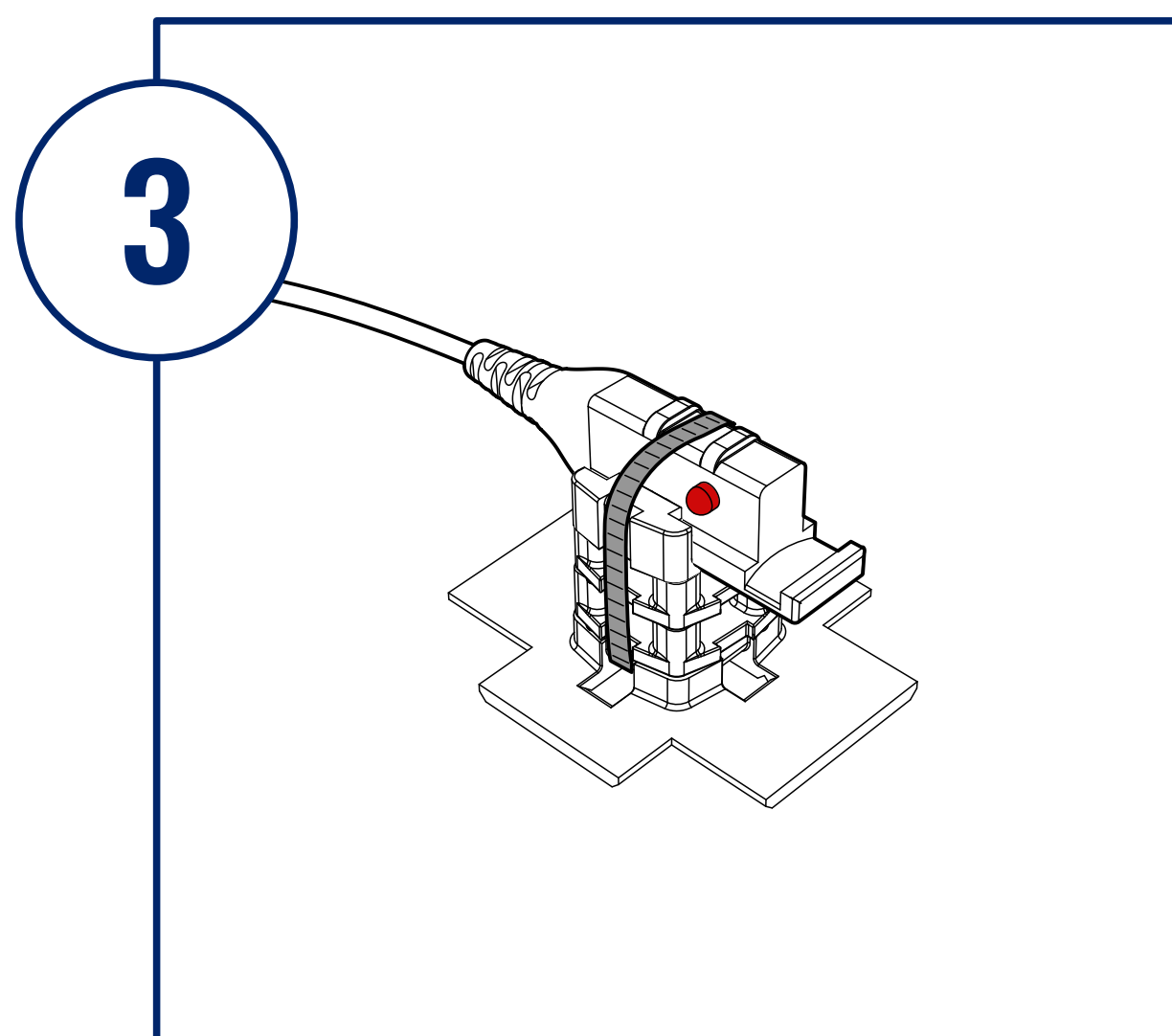
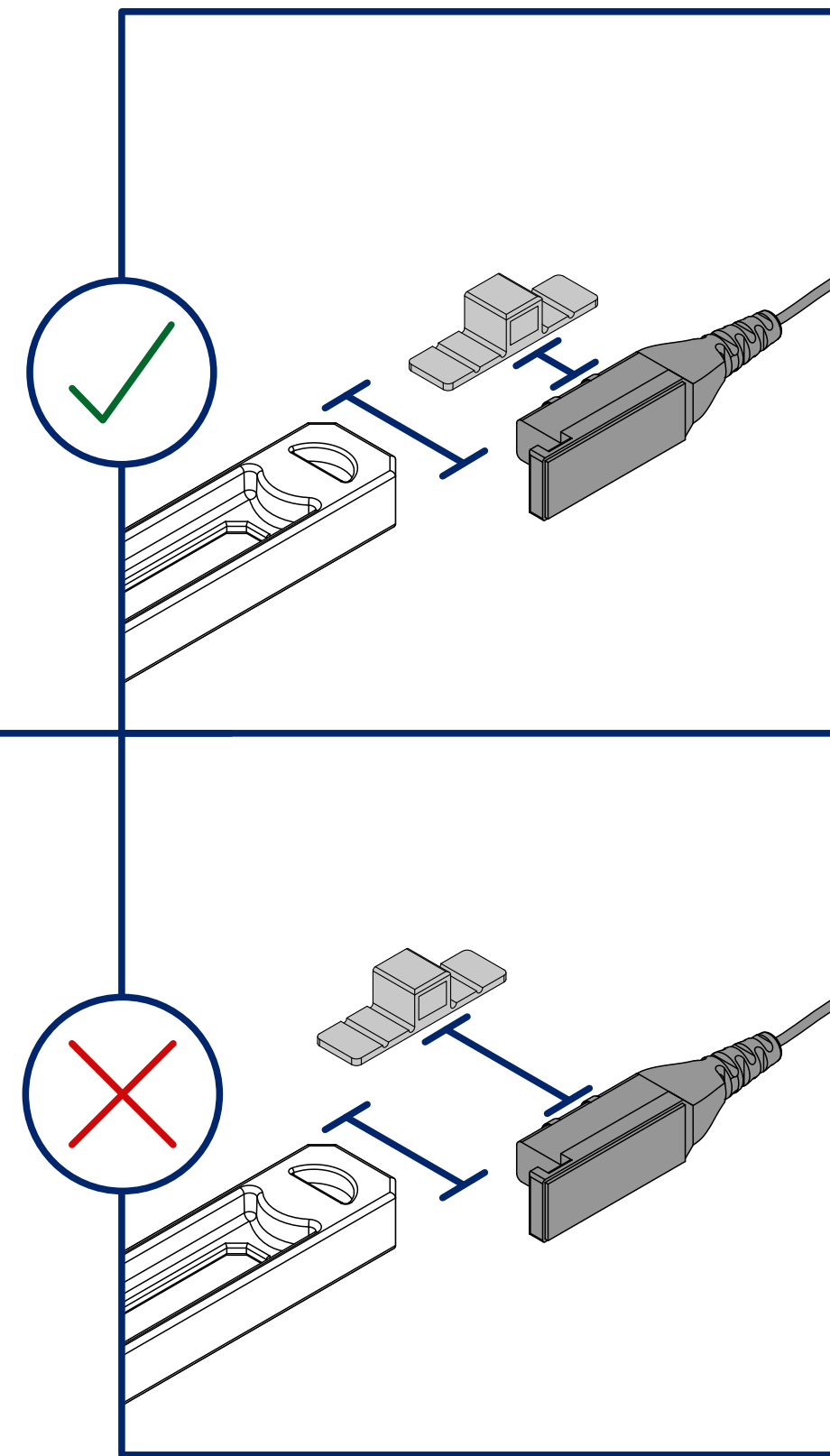
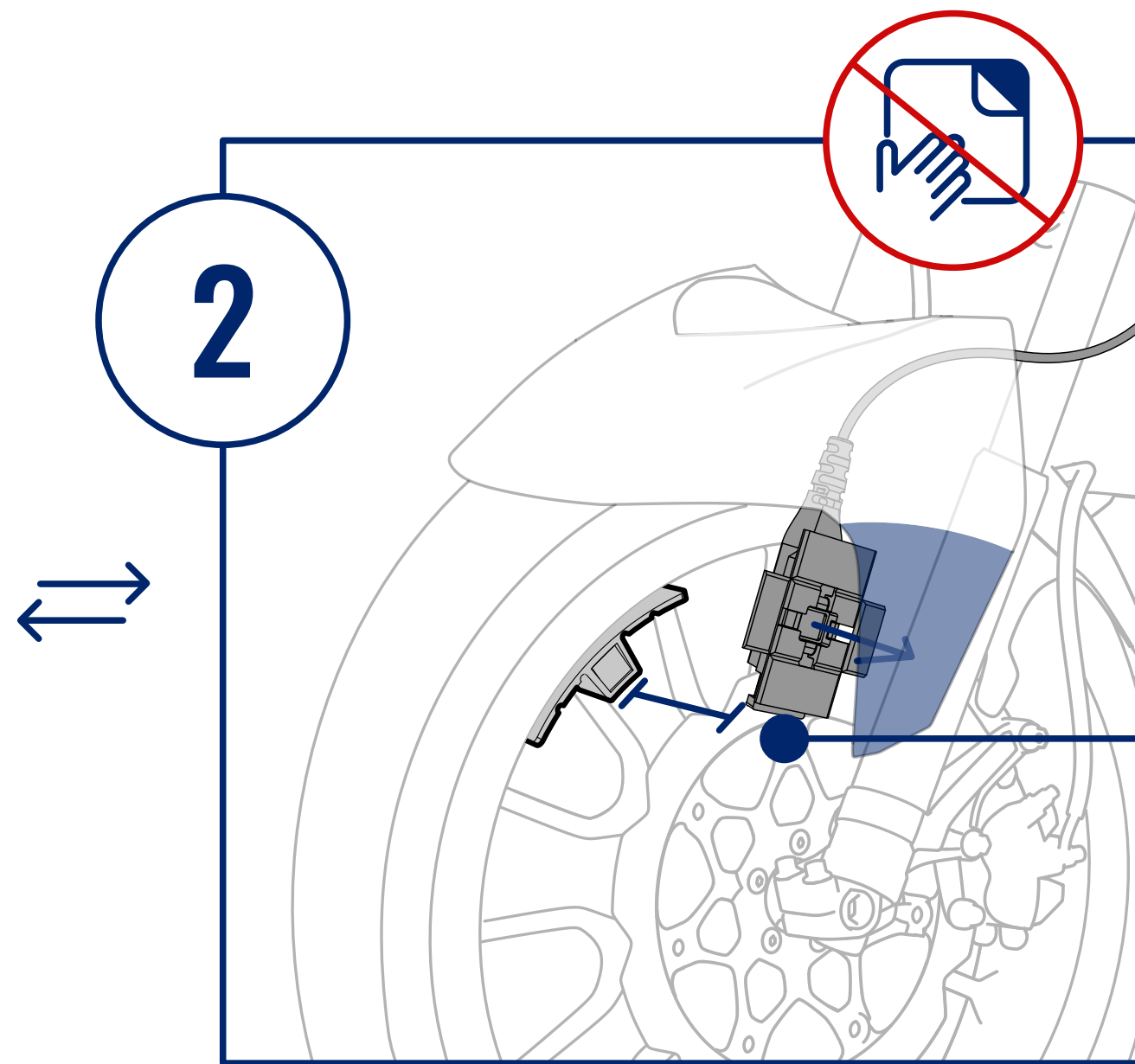
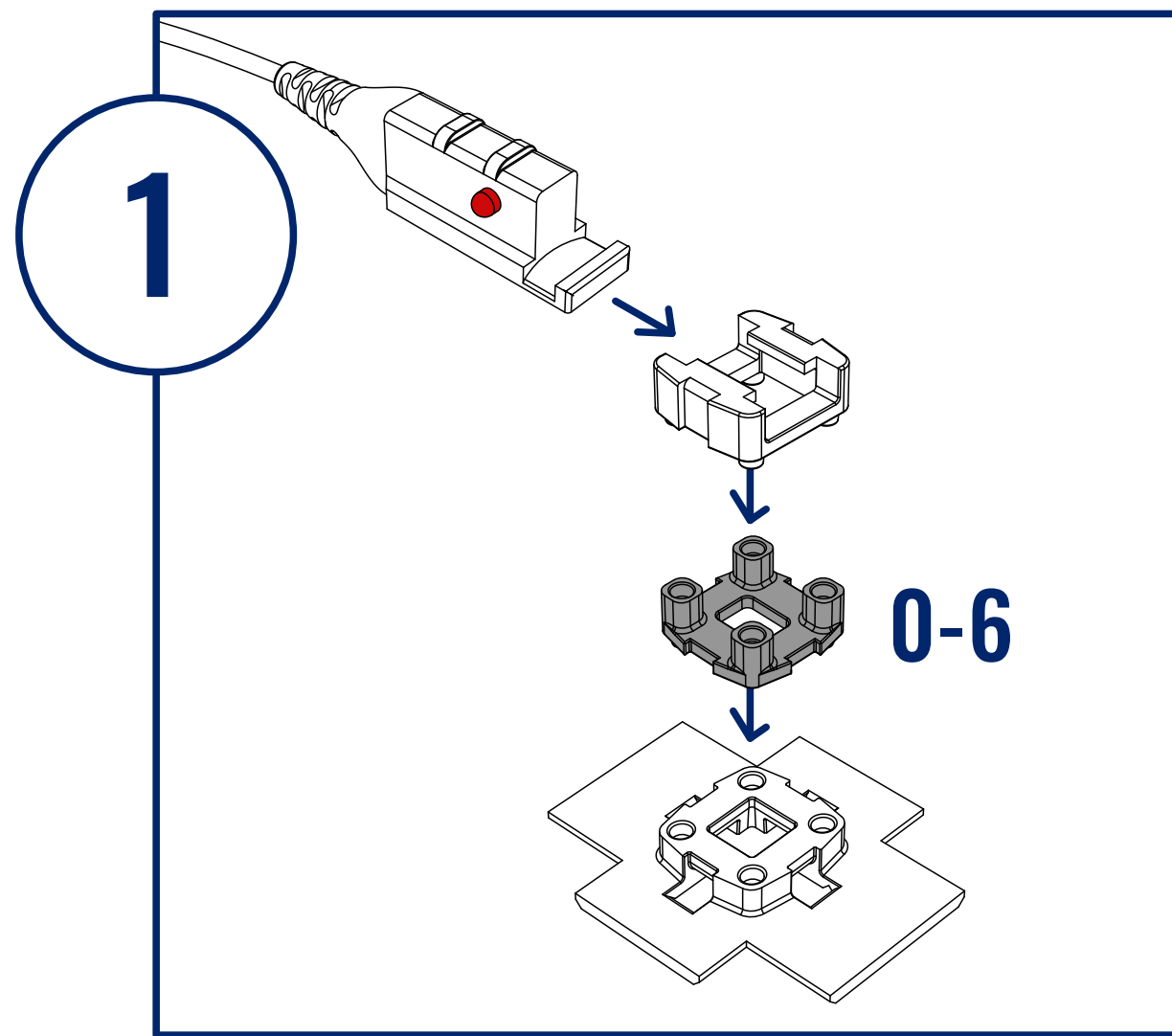
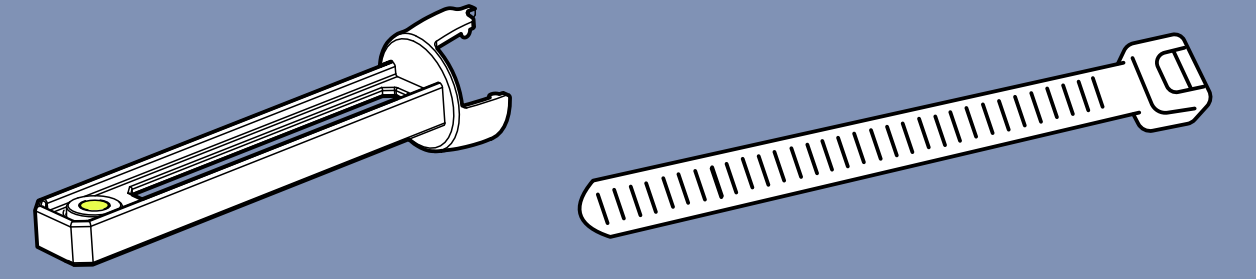
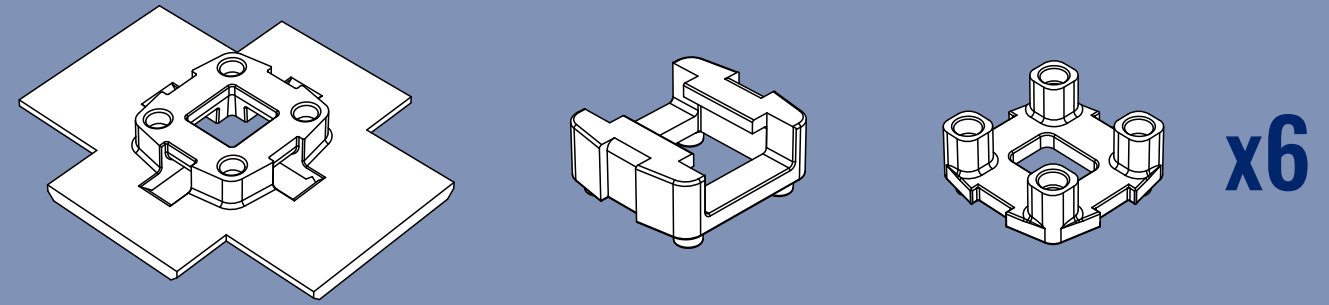
2

i

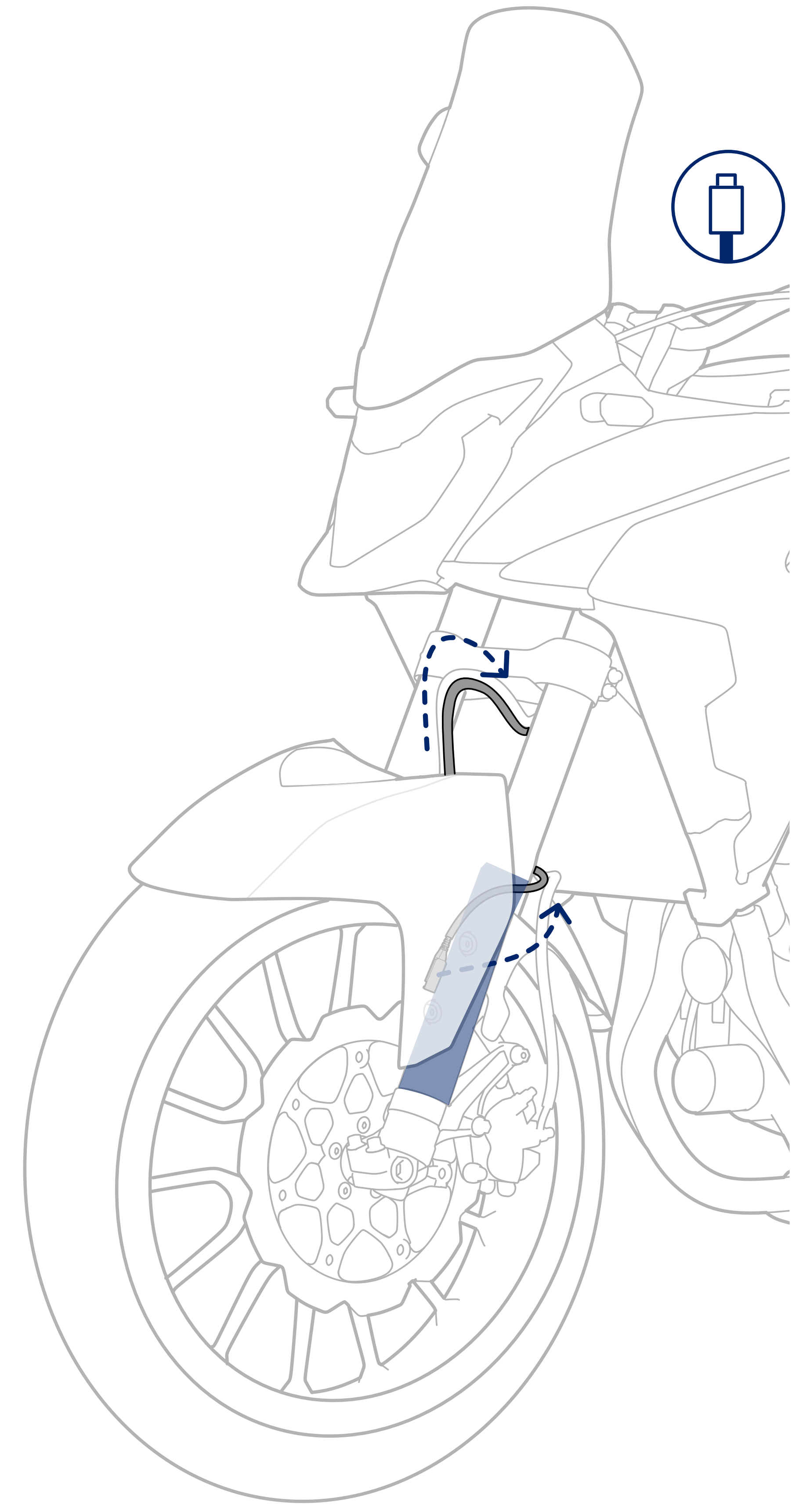
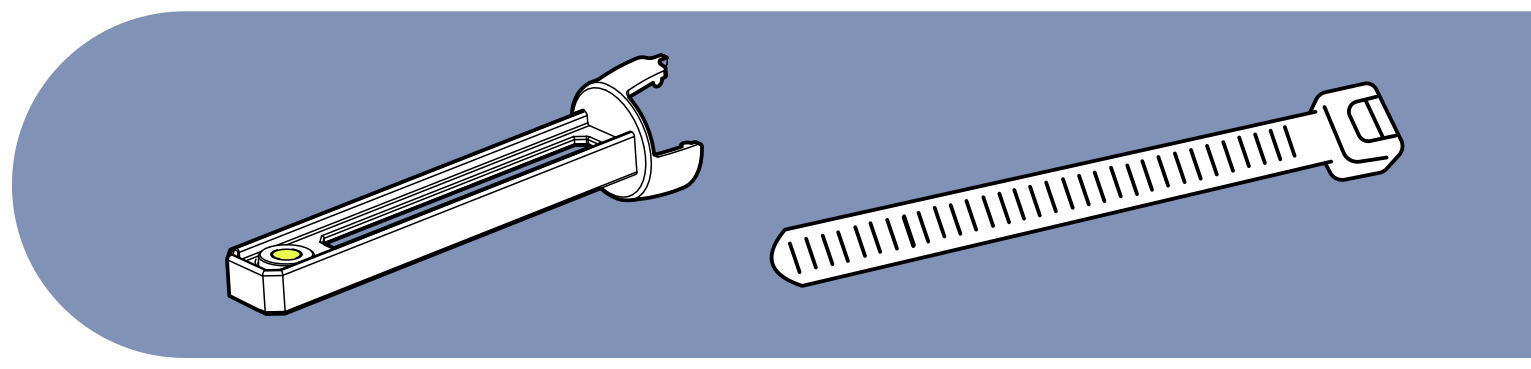
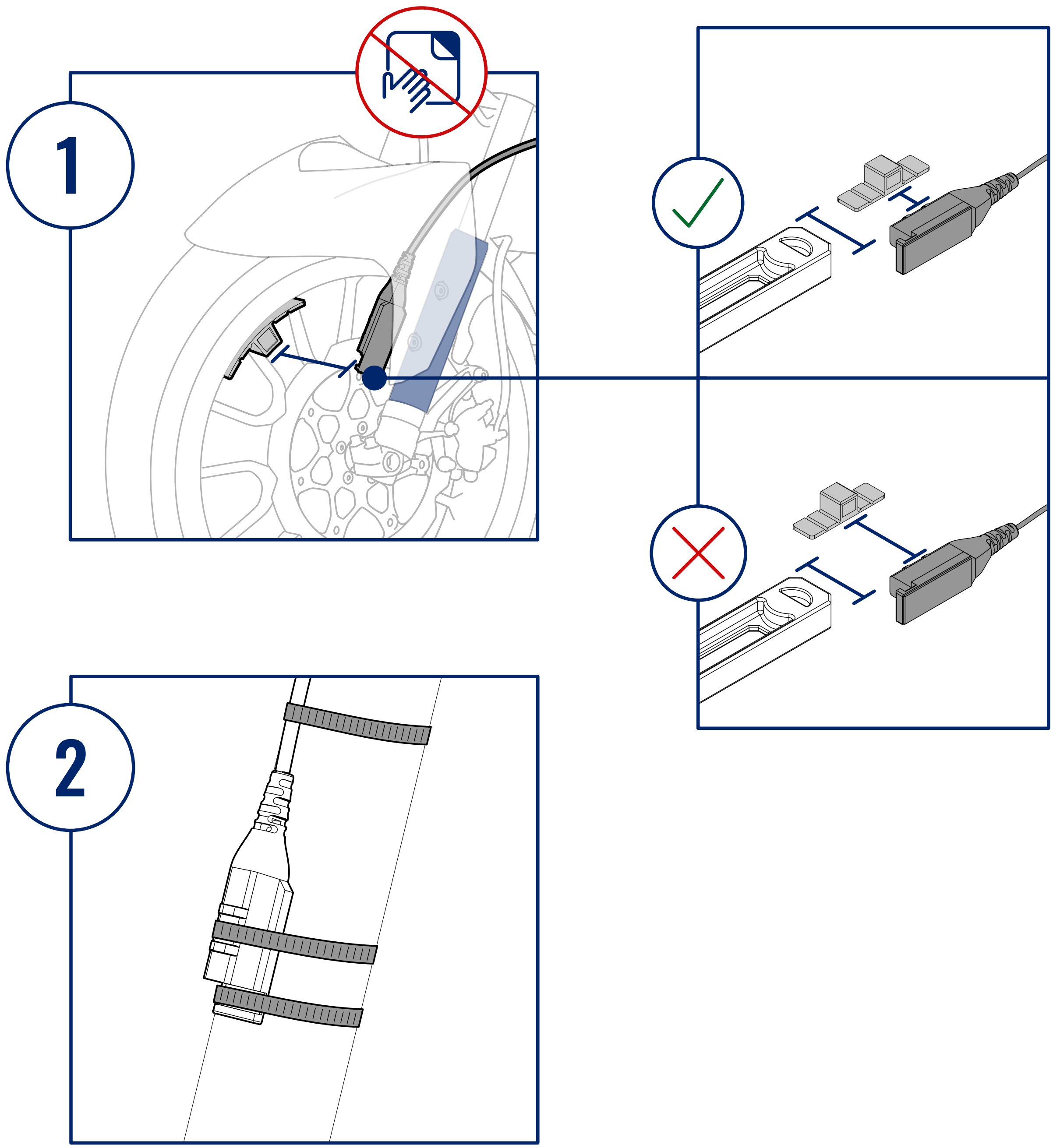
Find Location



2.A



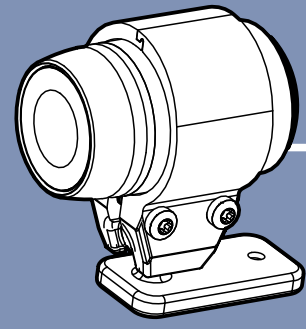
2.B



3



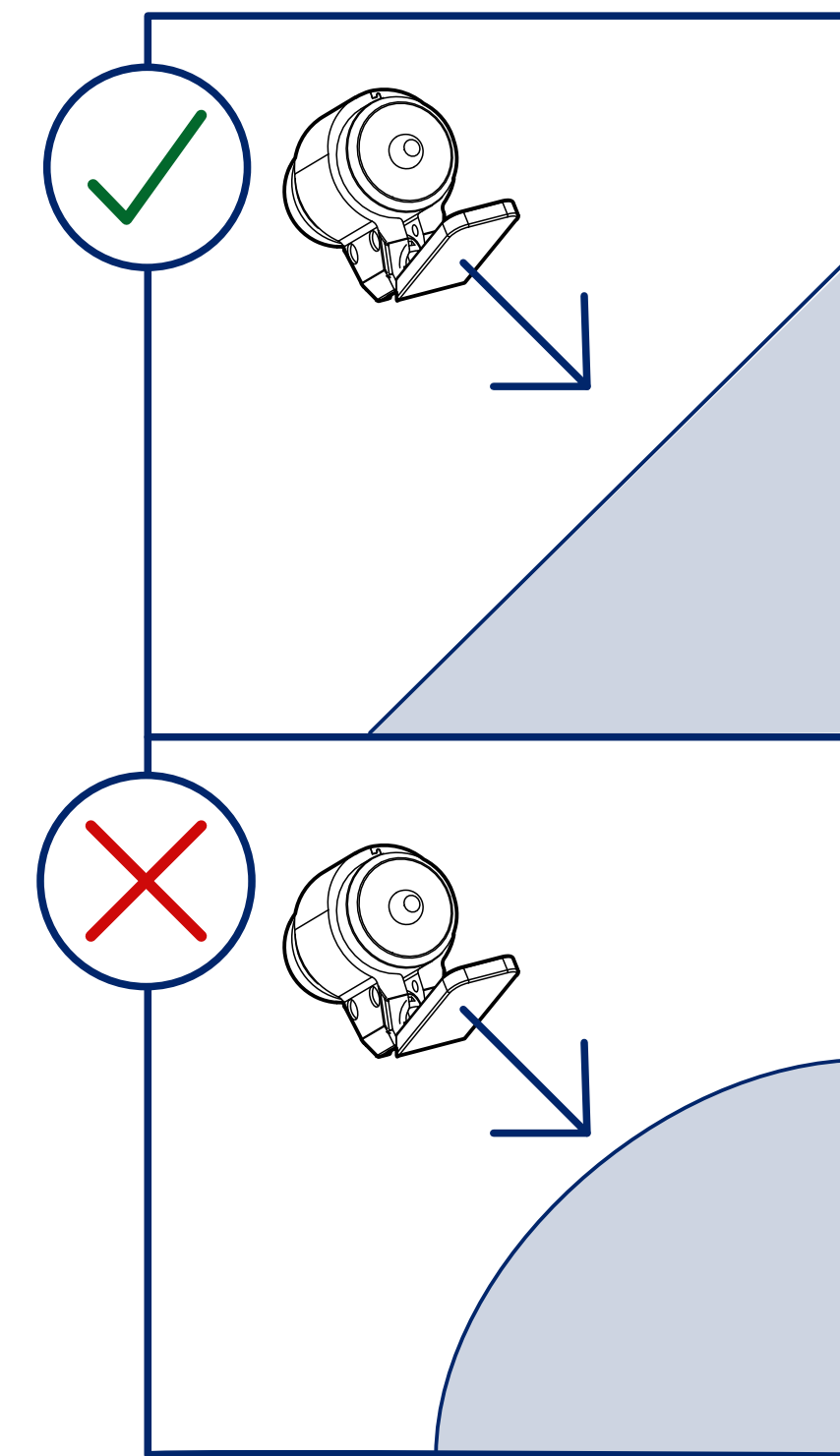
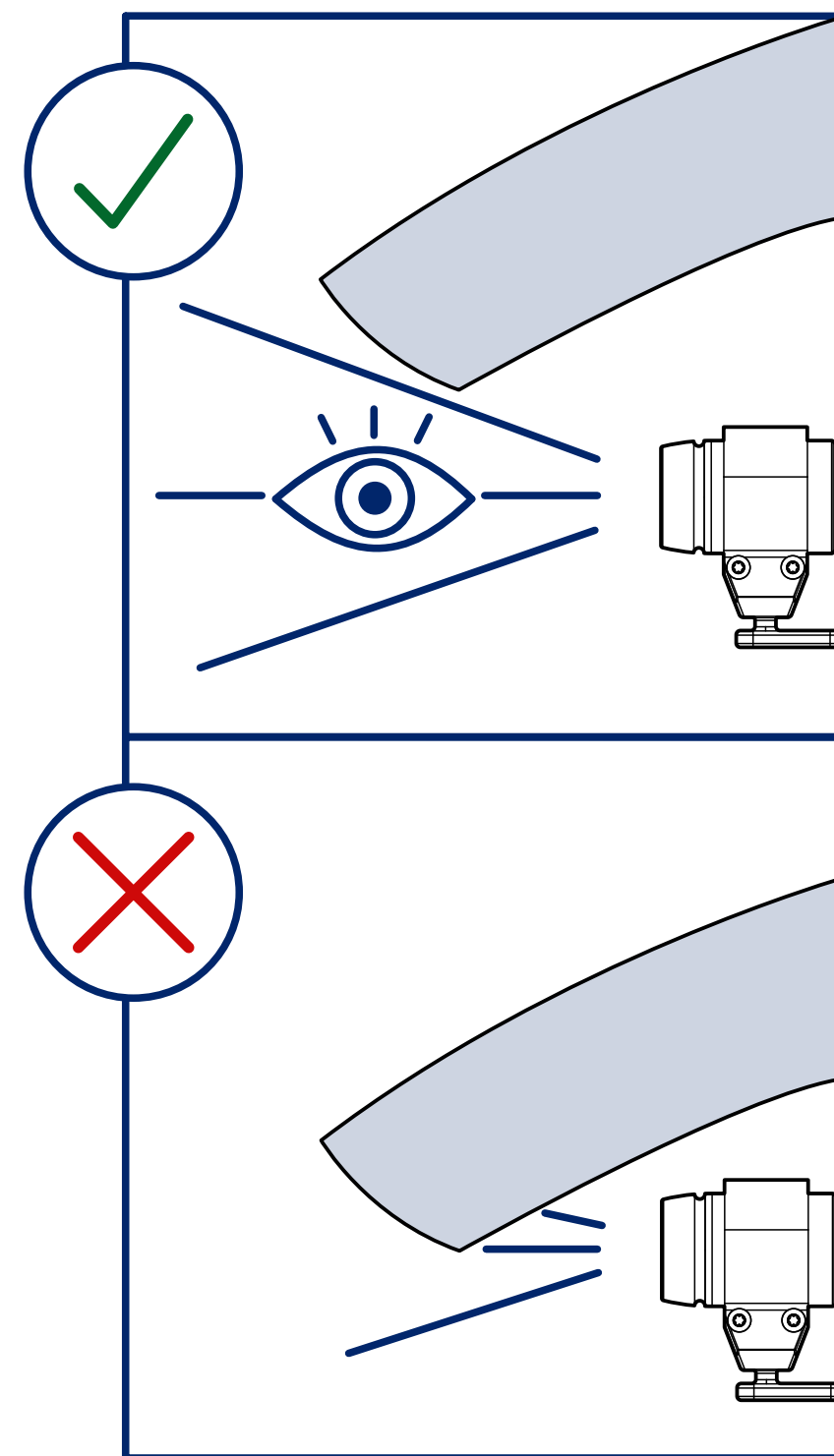
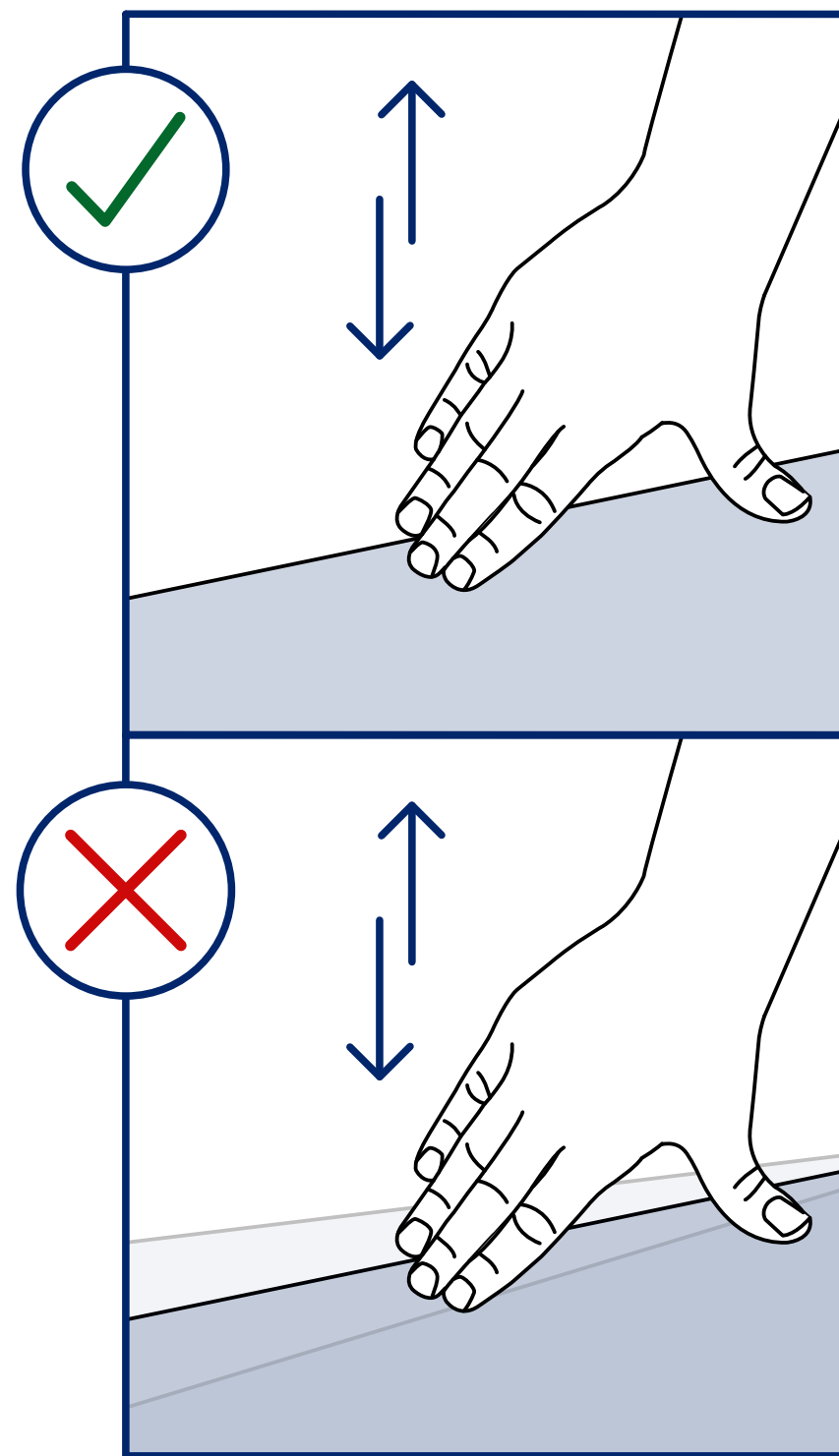
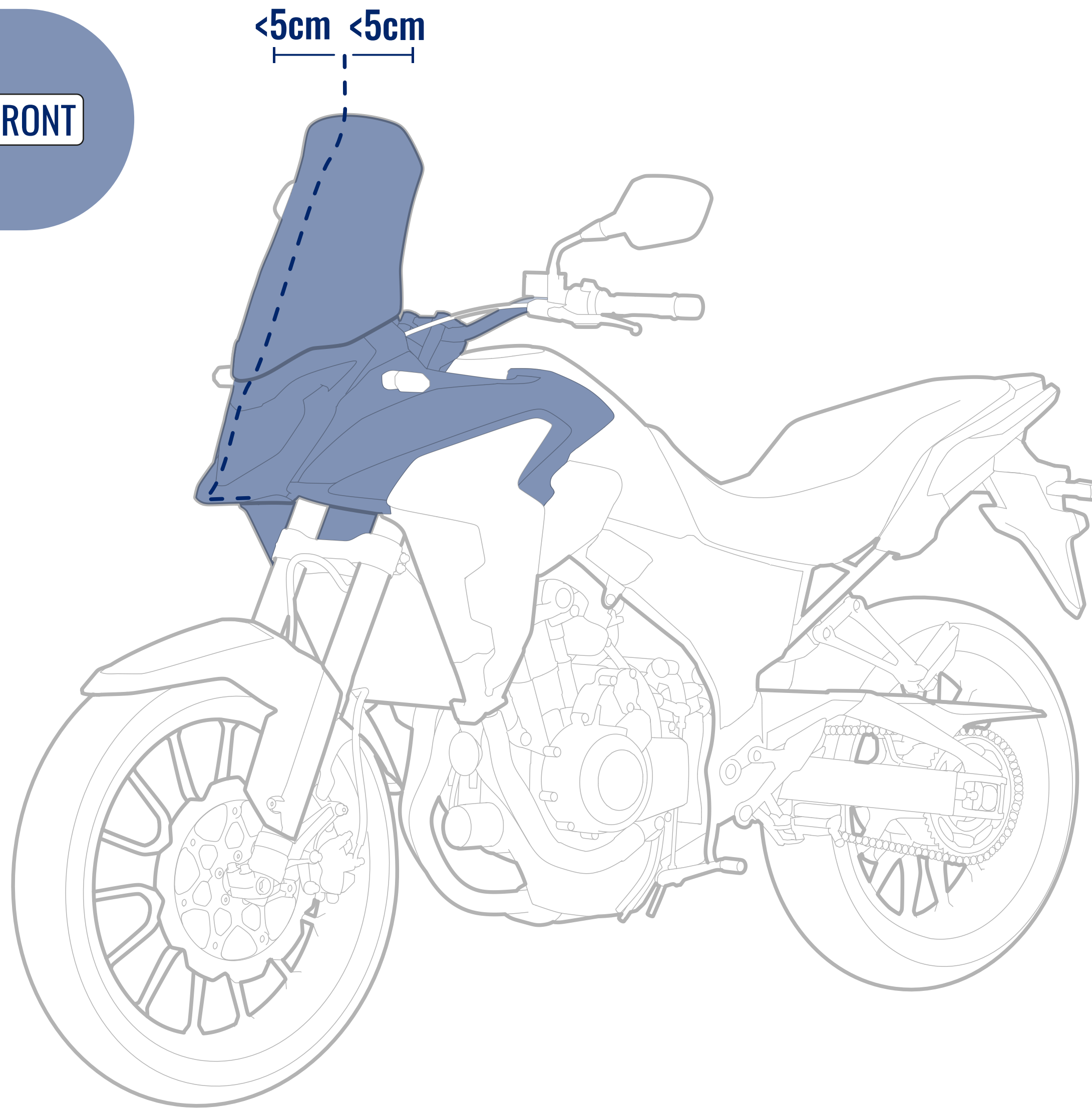
Find Location



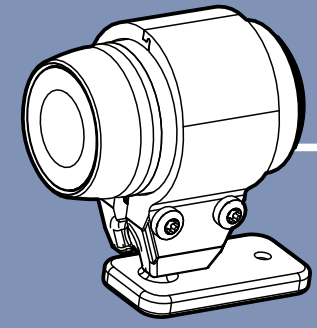
FRONT

<5cm <5cm

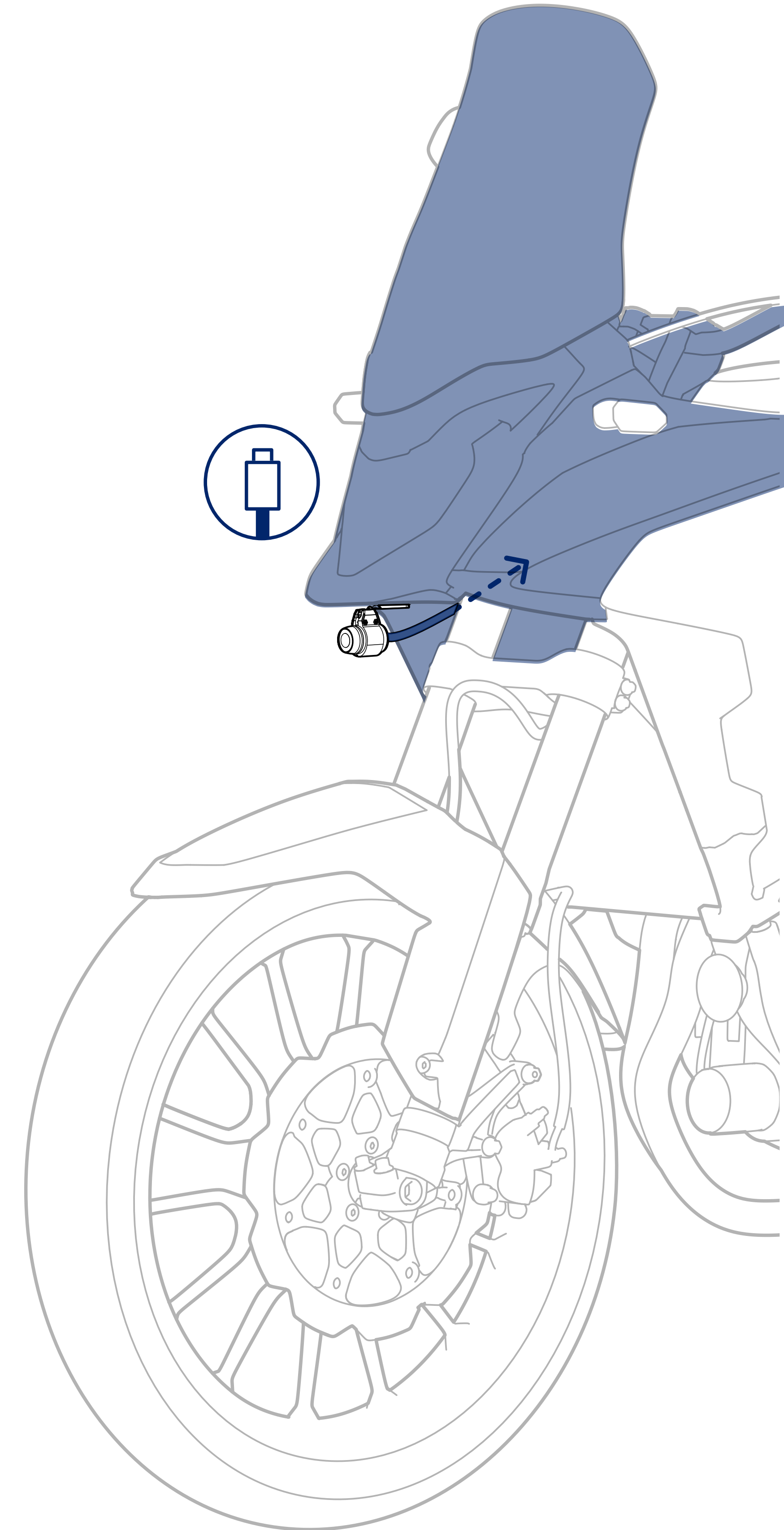
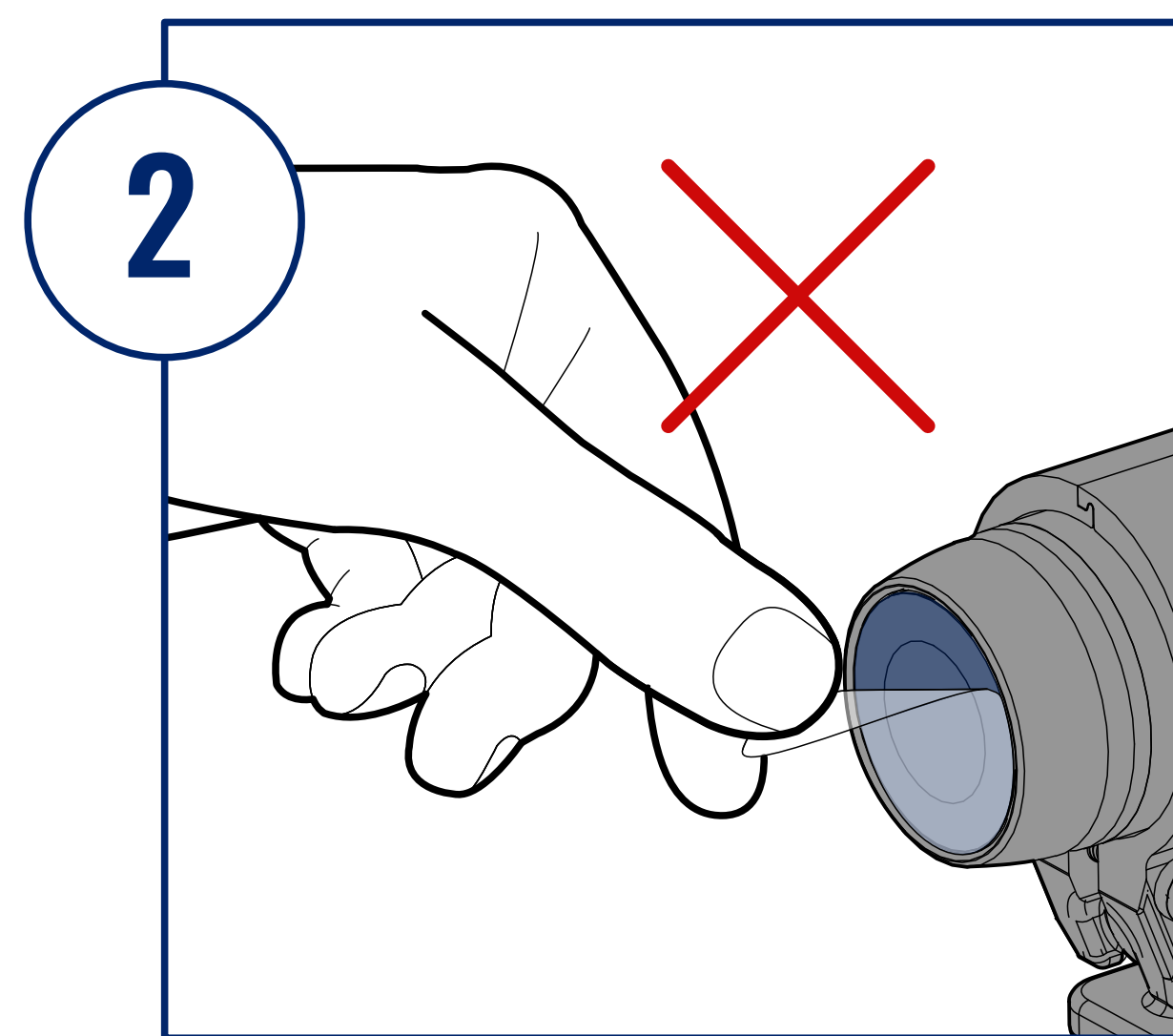
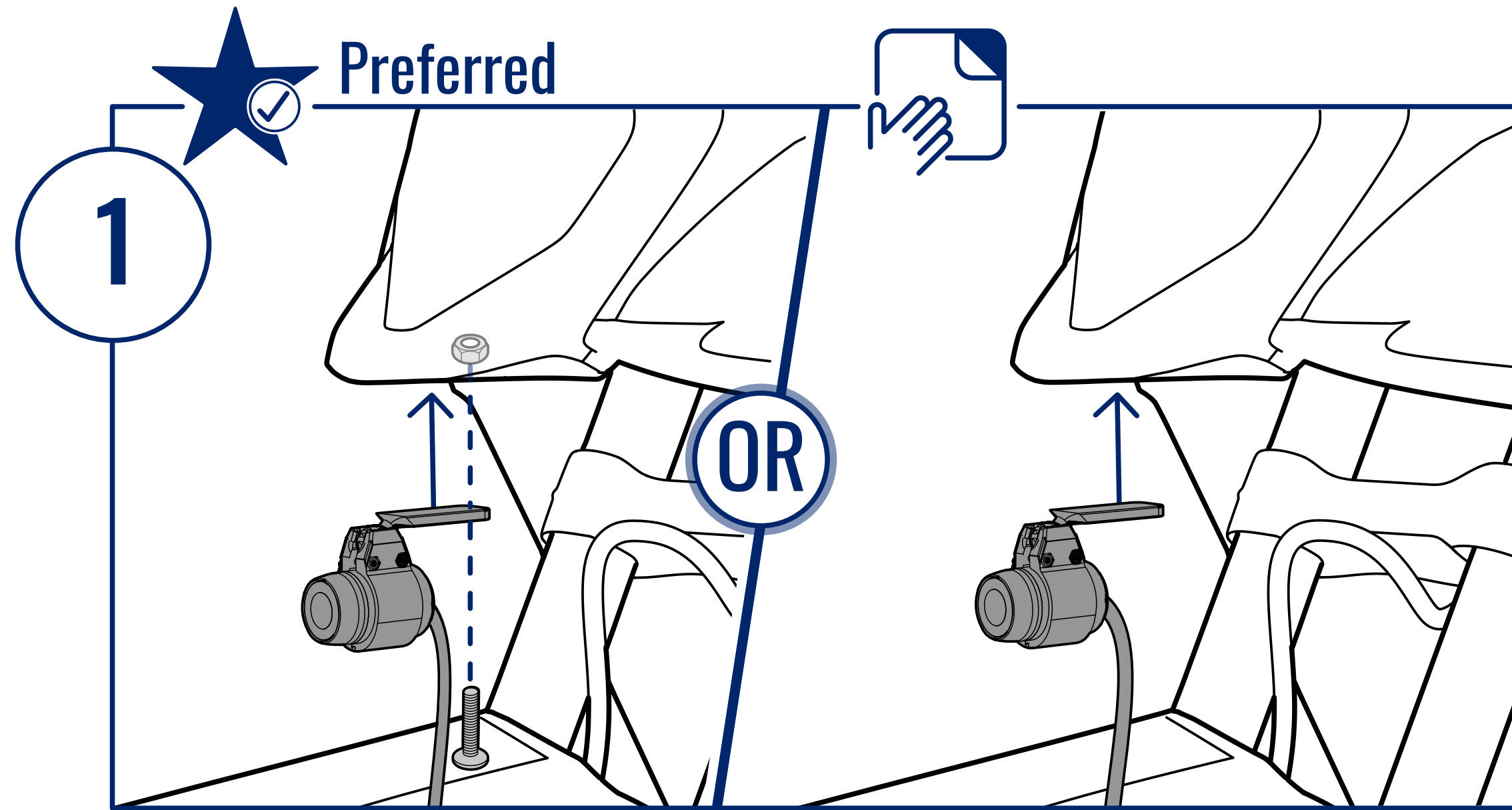
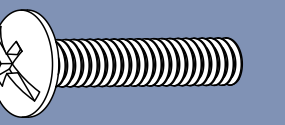
min 70cm



3



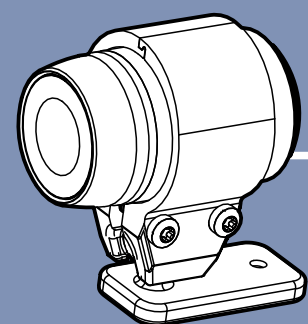
FRONT



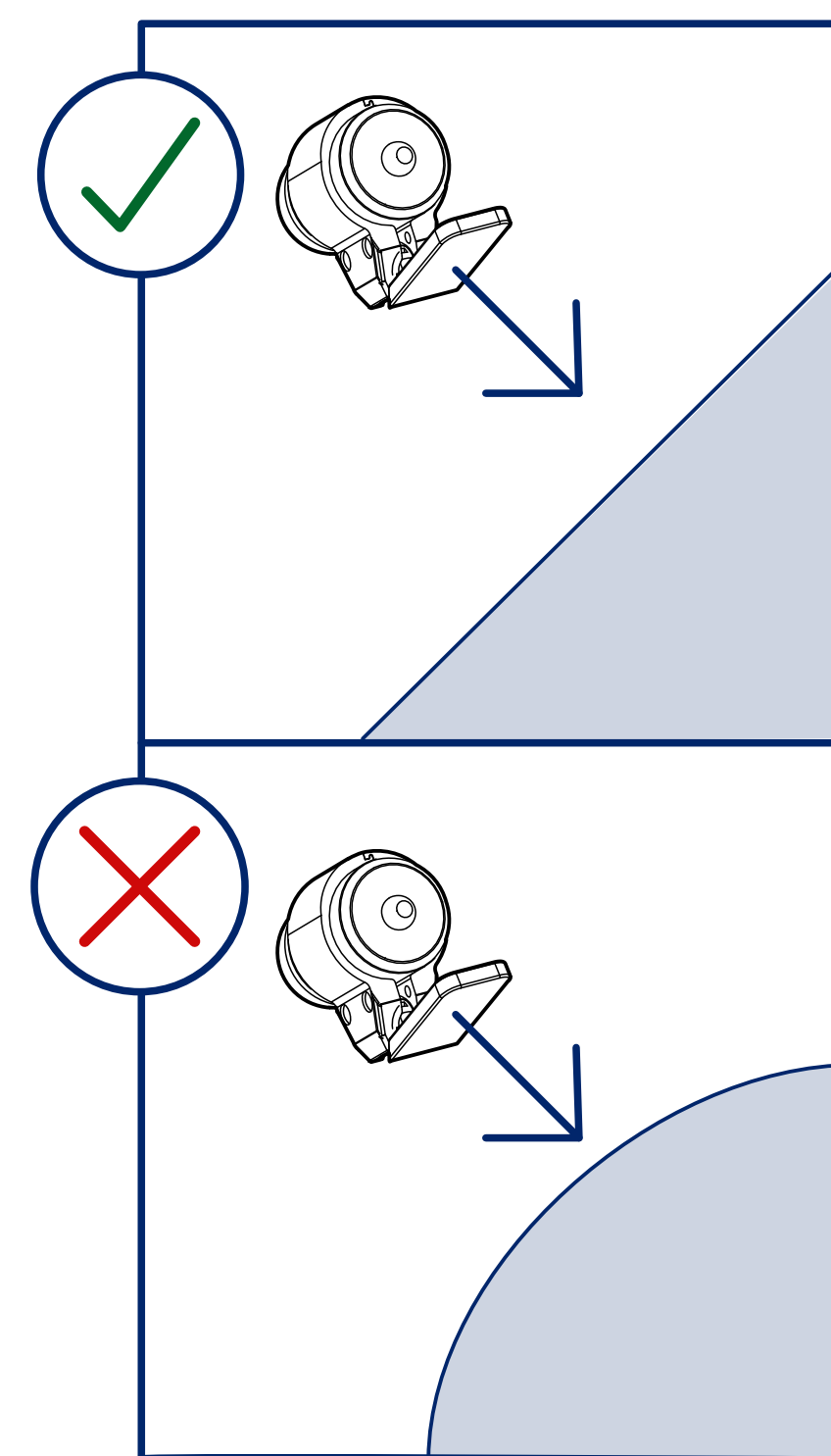
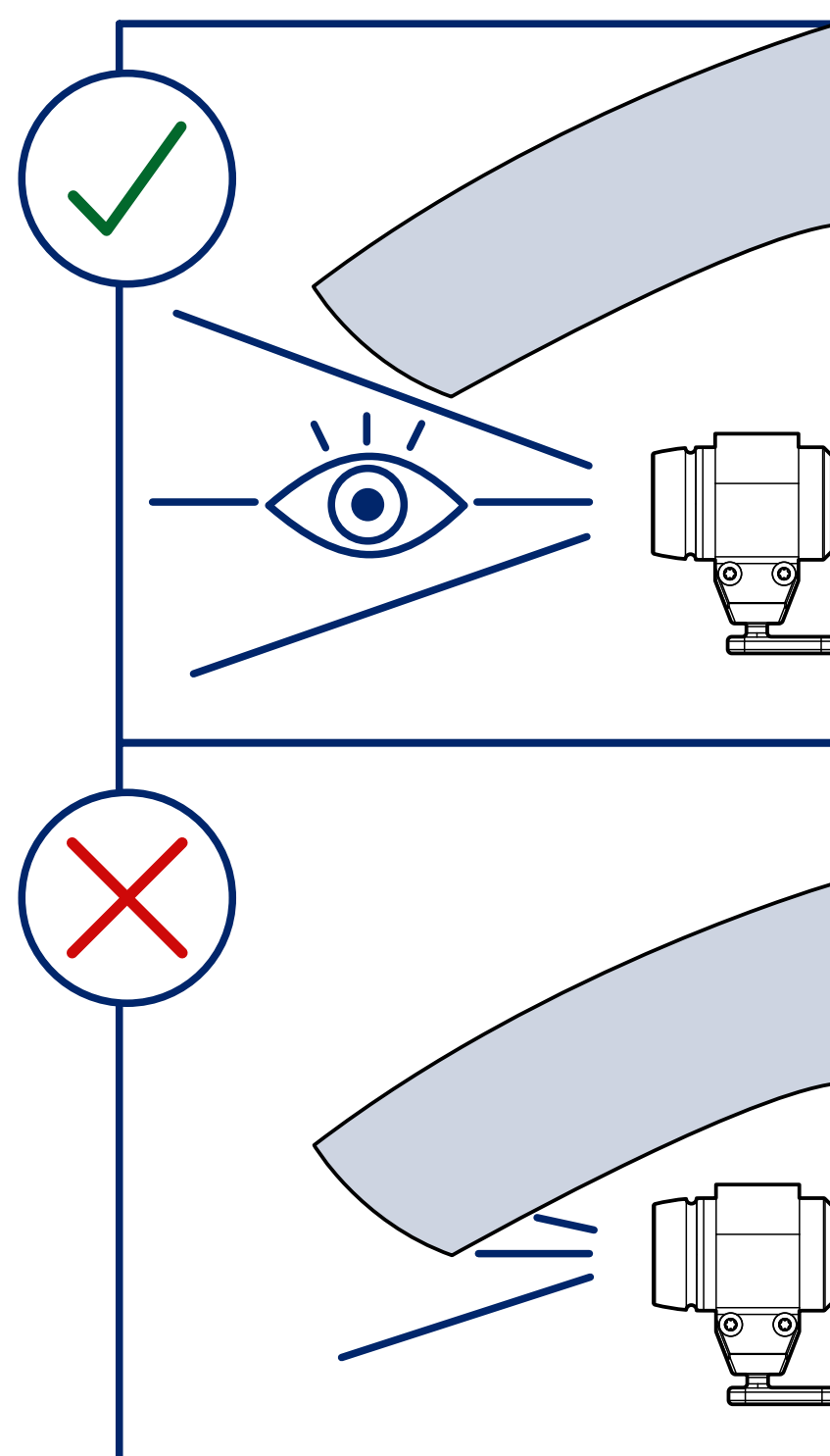
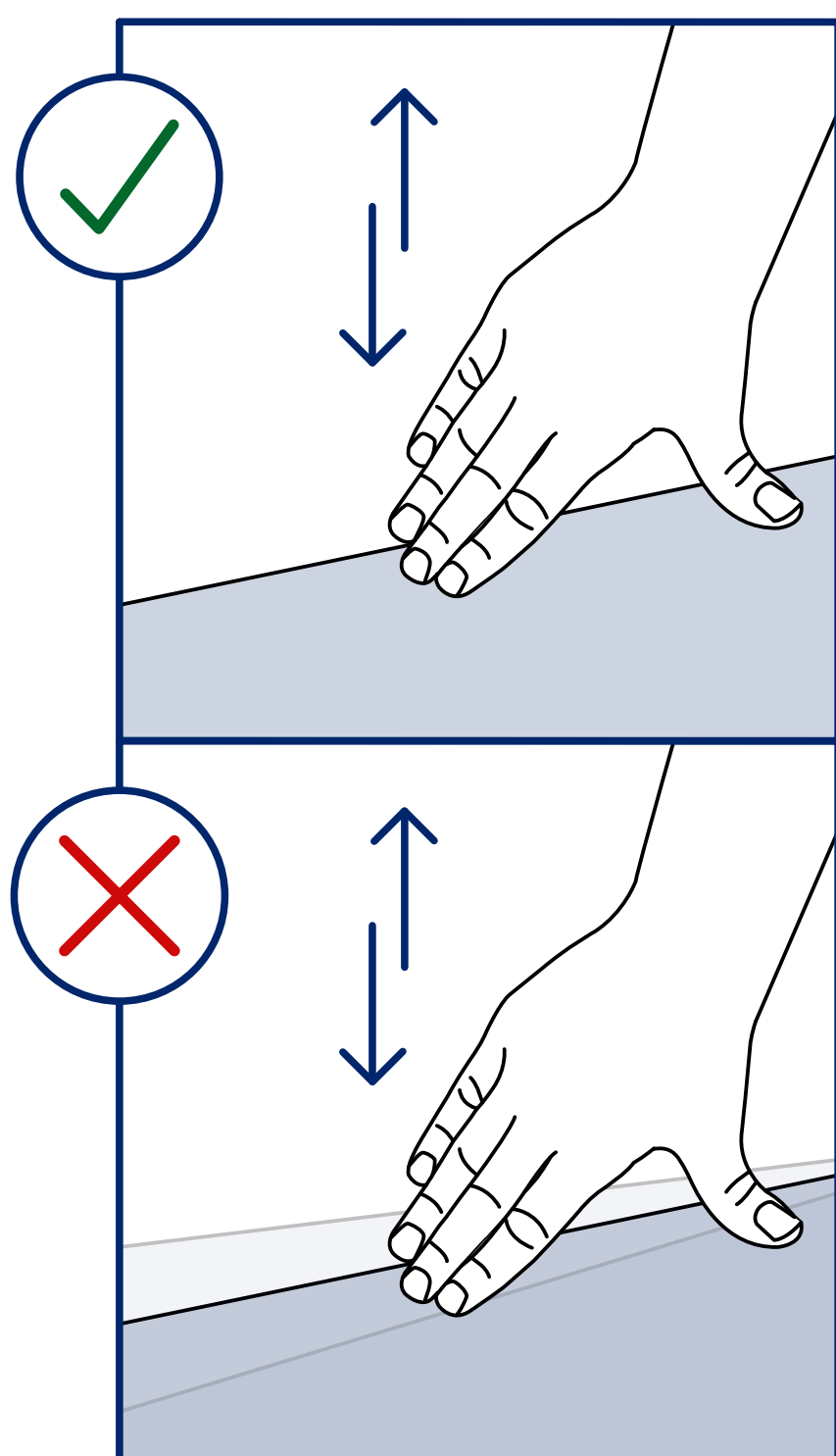
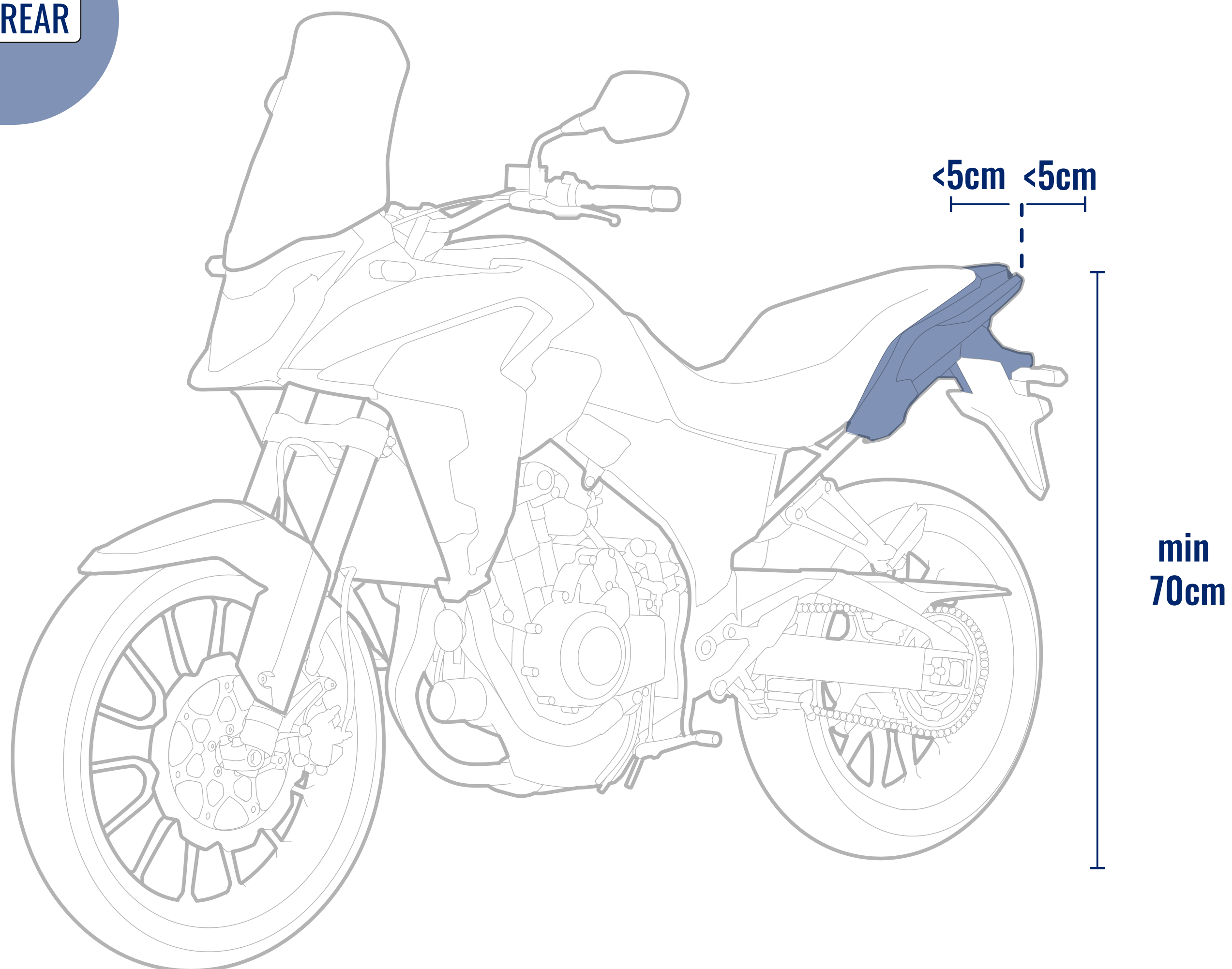
4



Find Location

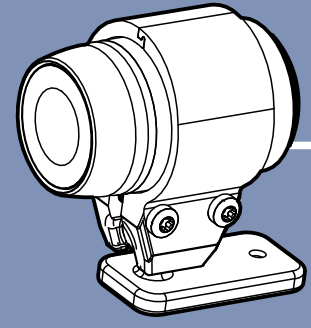


REAR

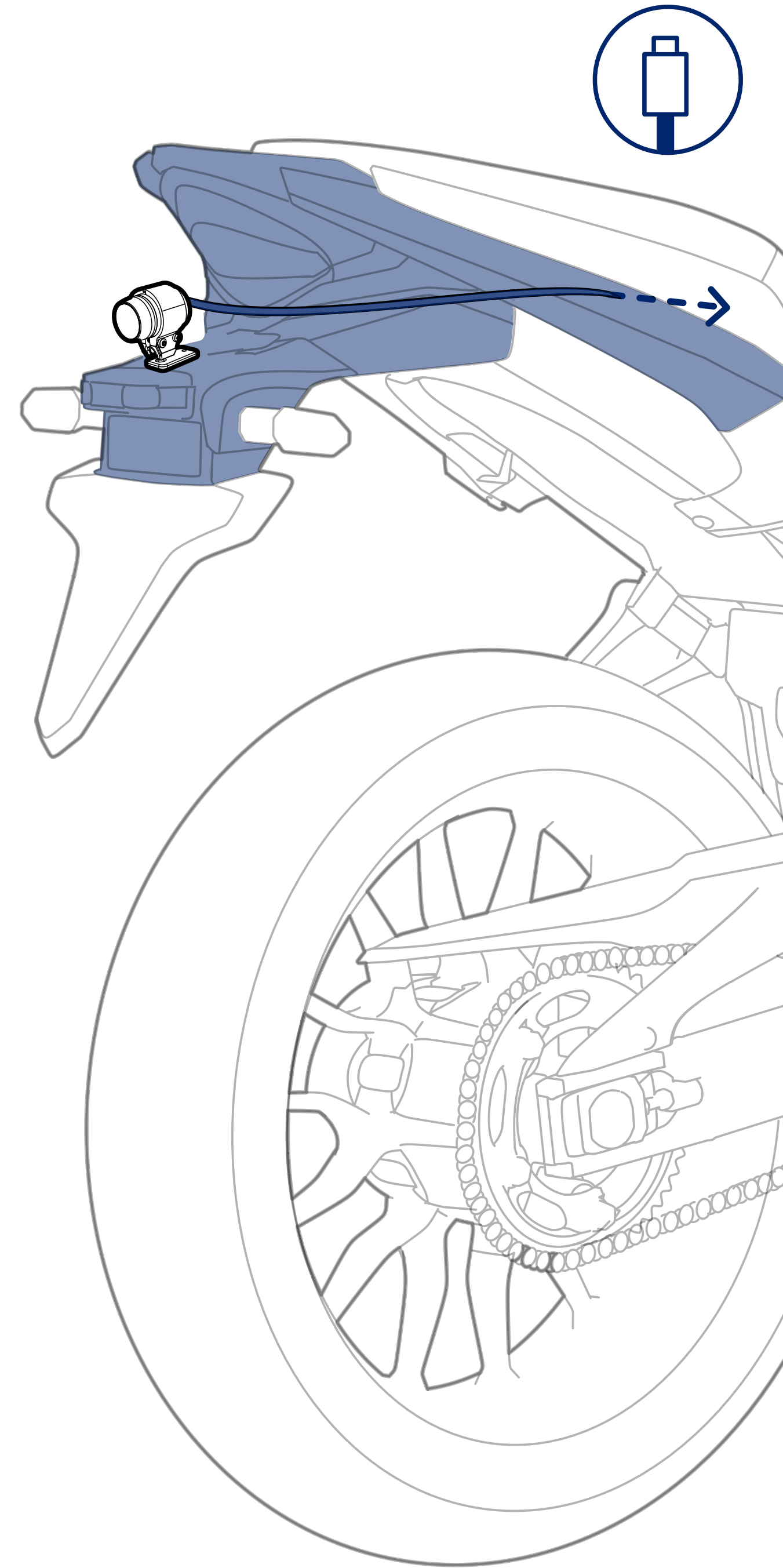
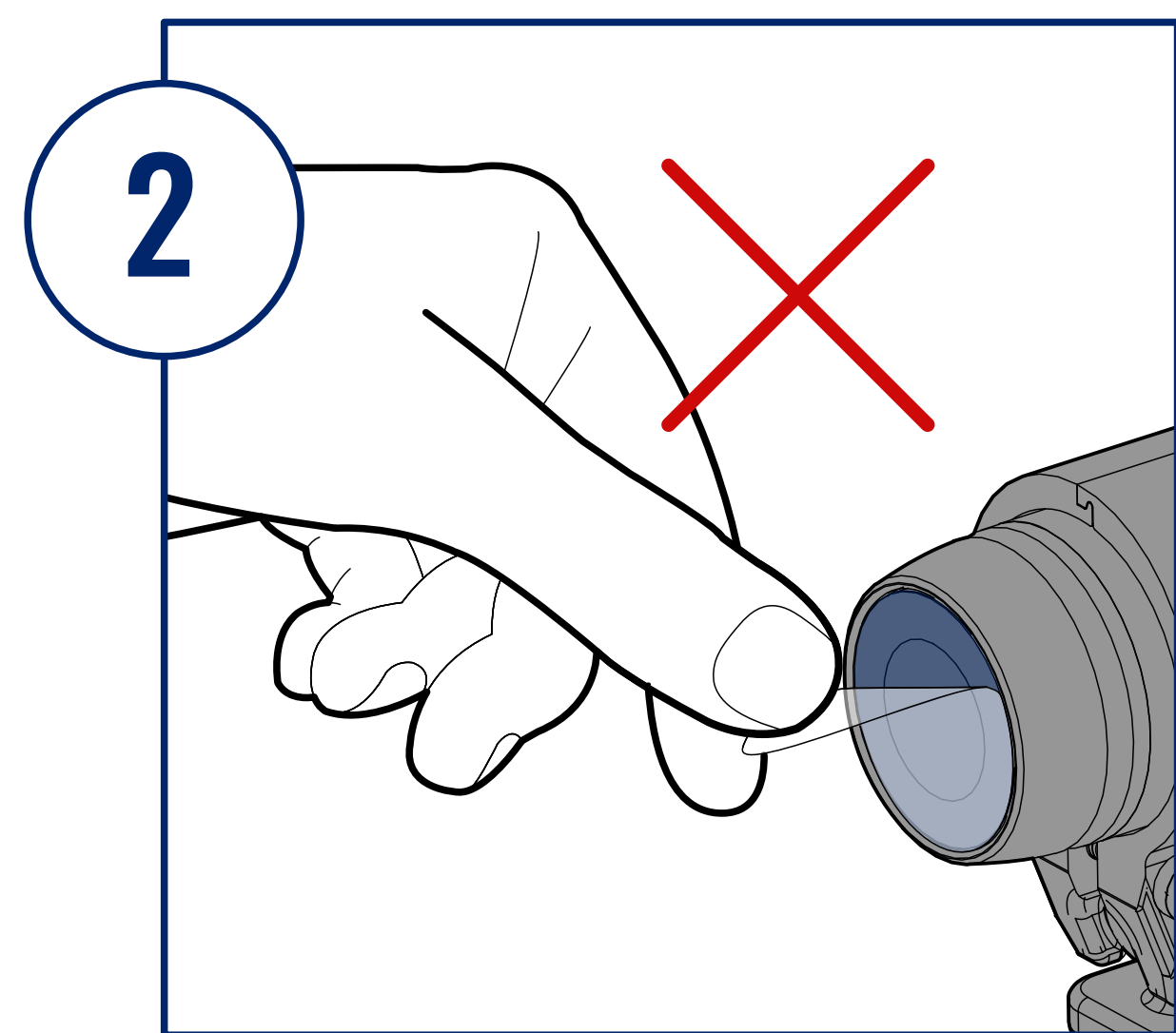
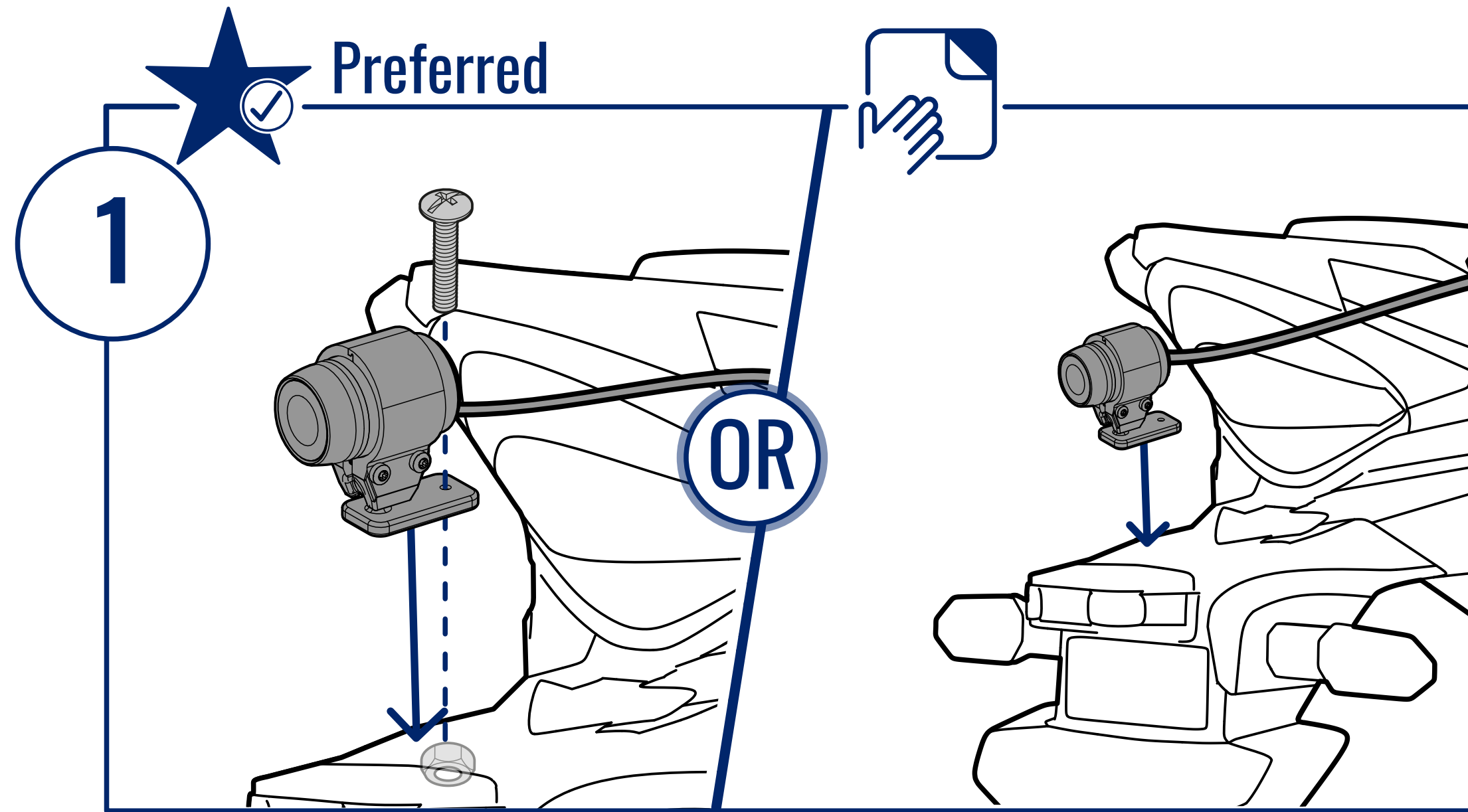
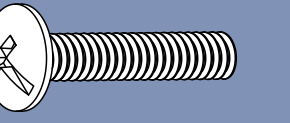




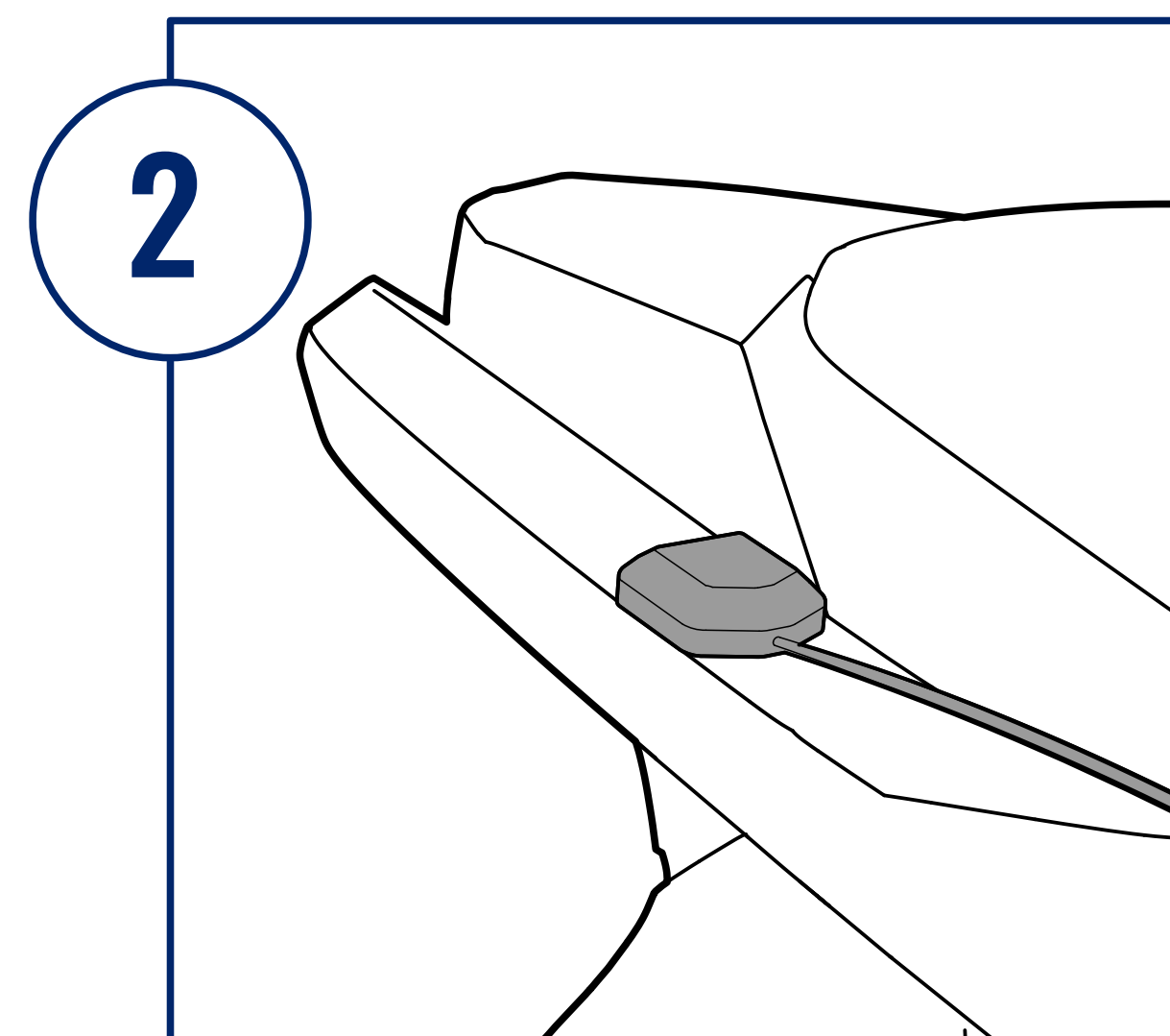
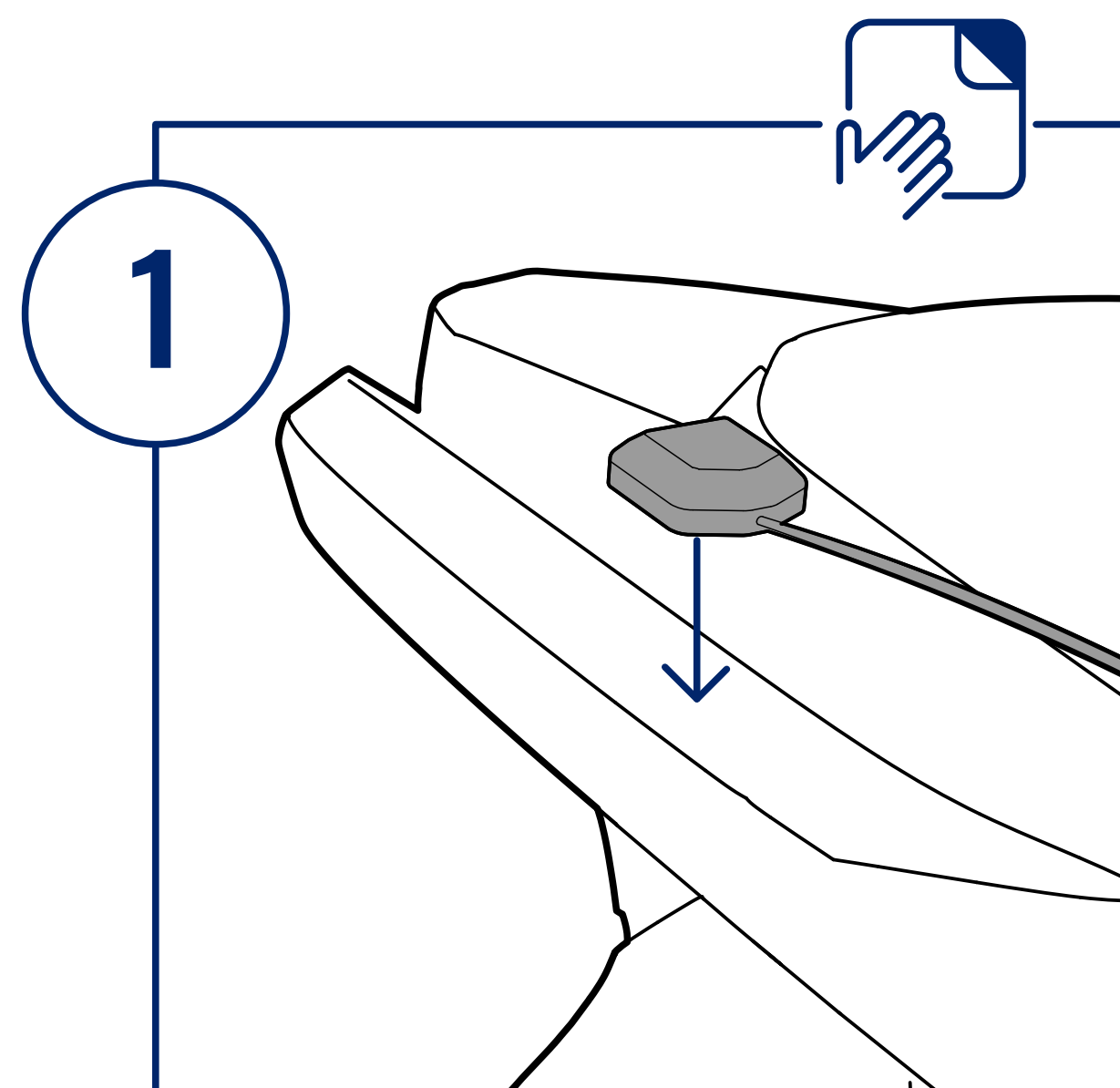
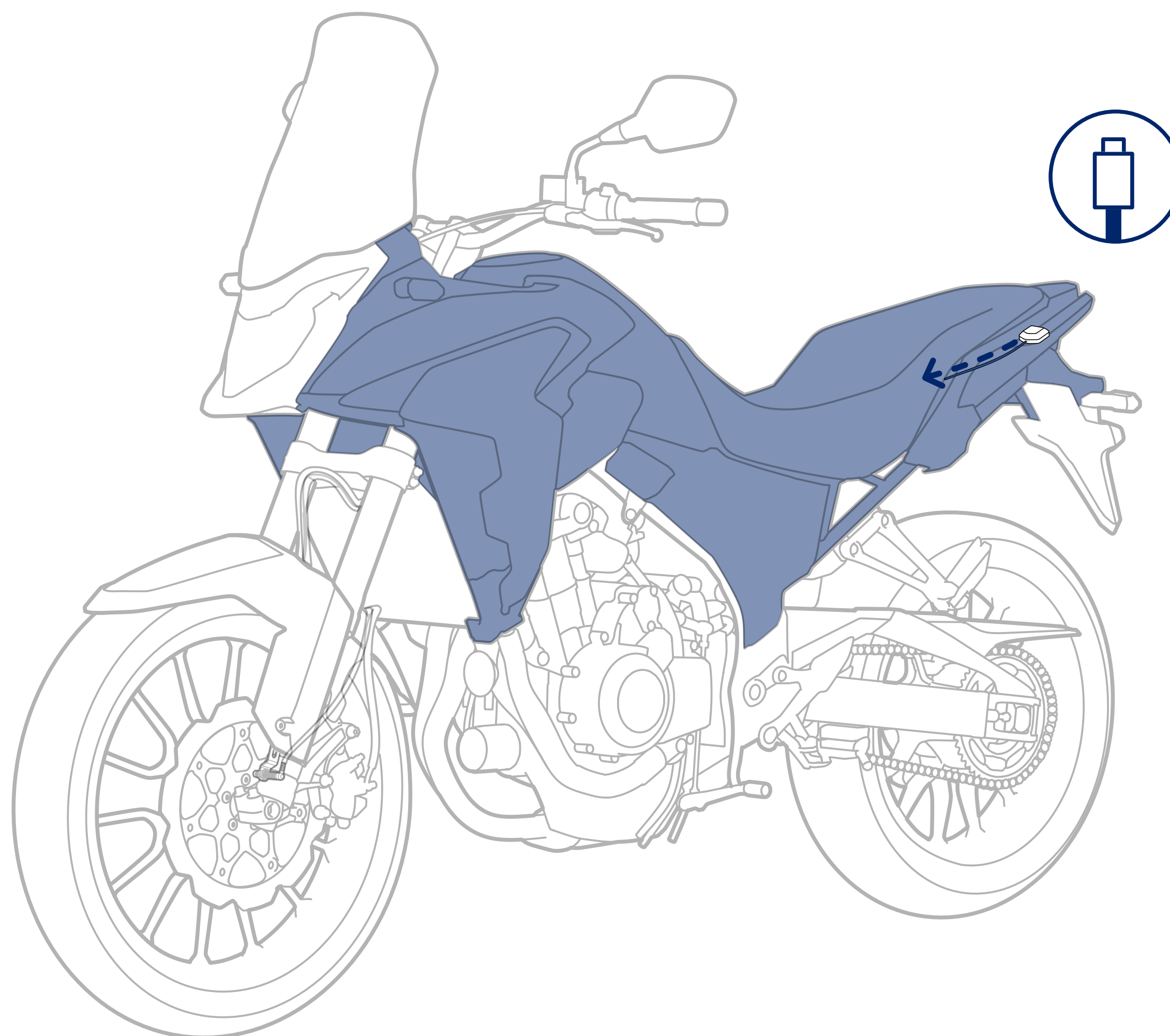
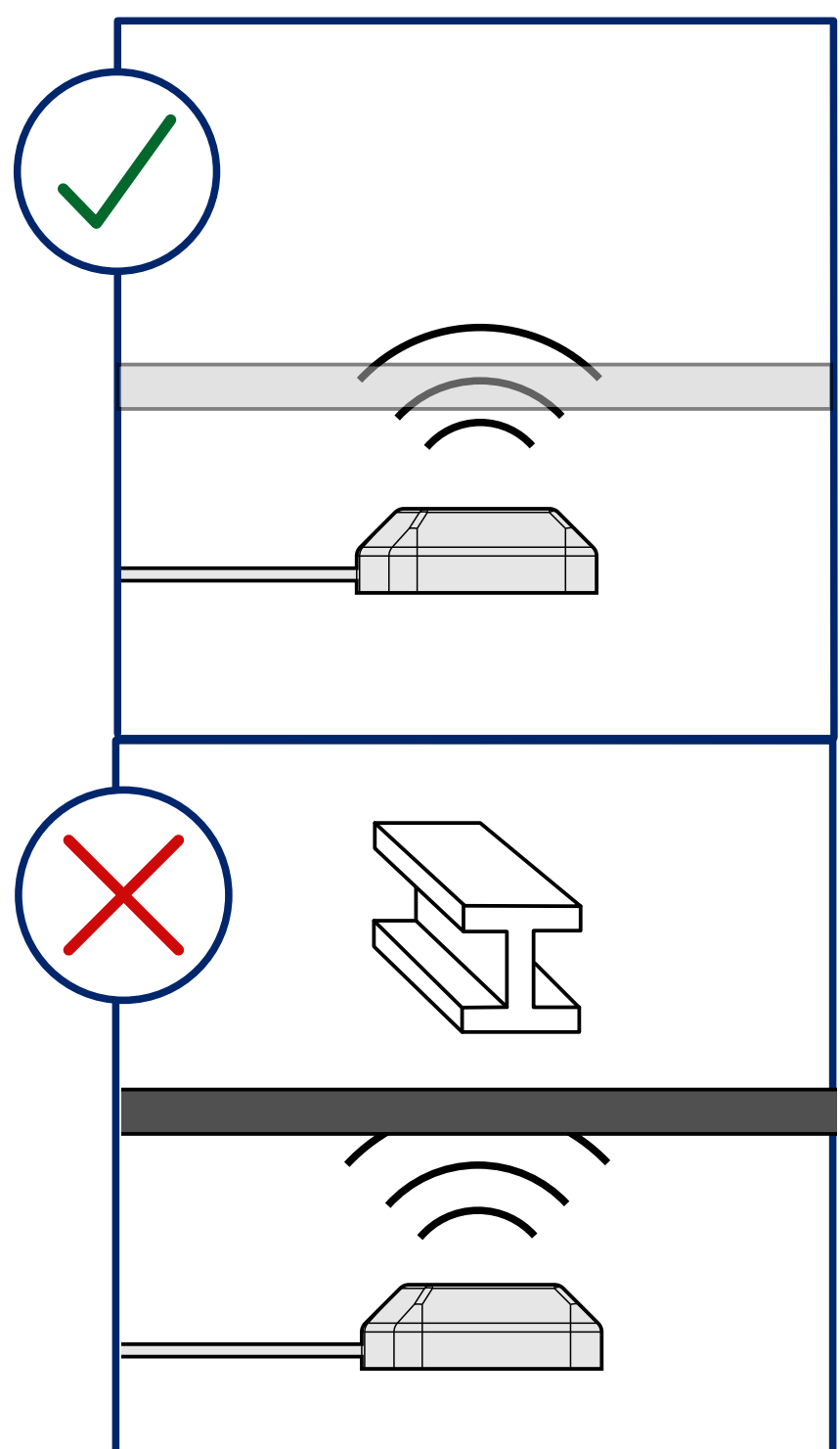
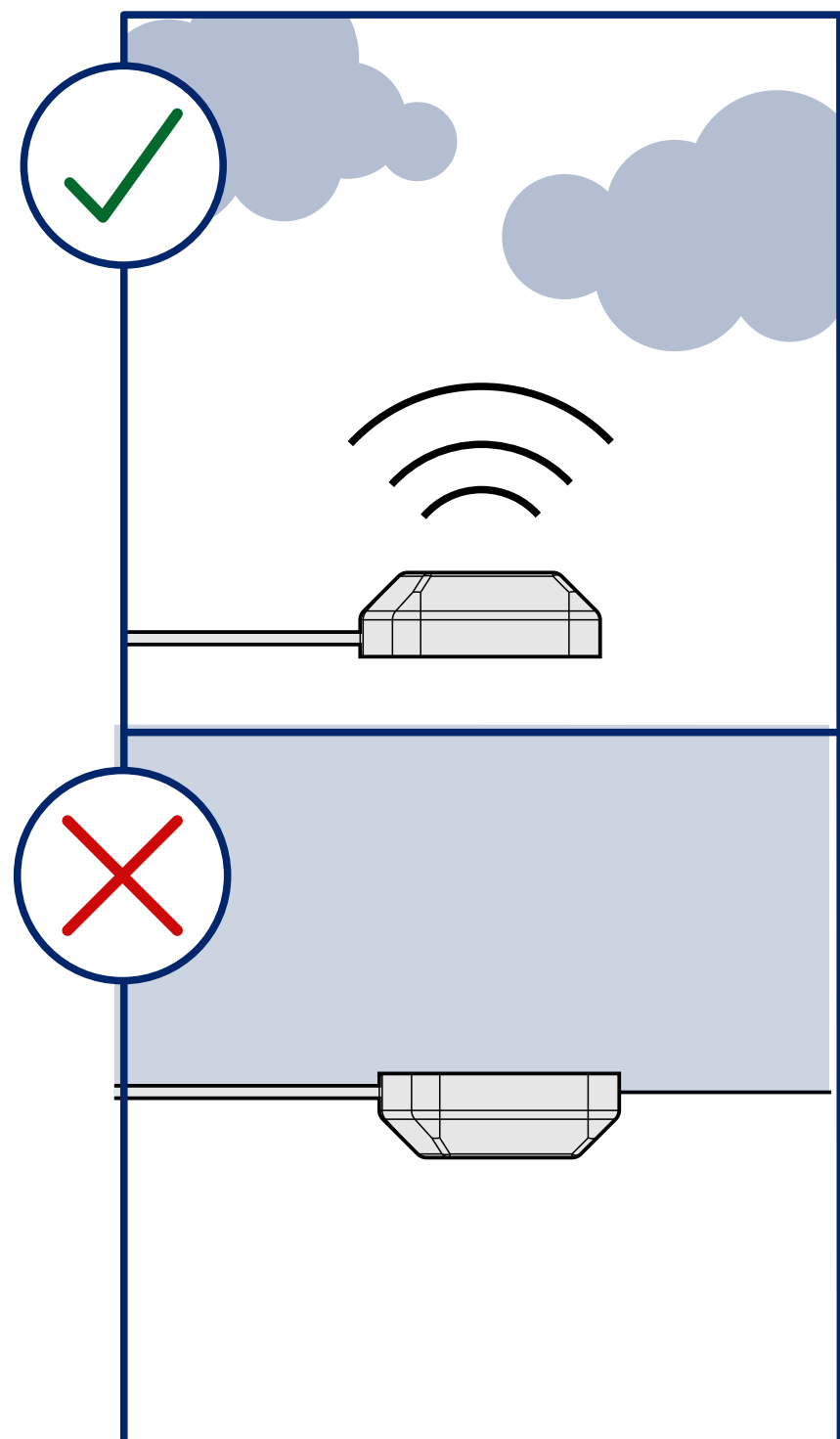
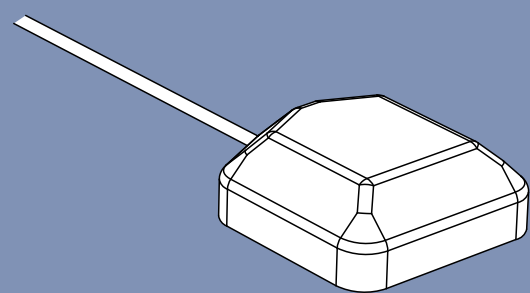
4



REAR



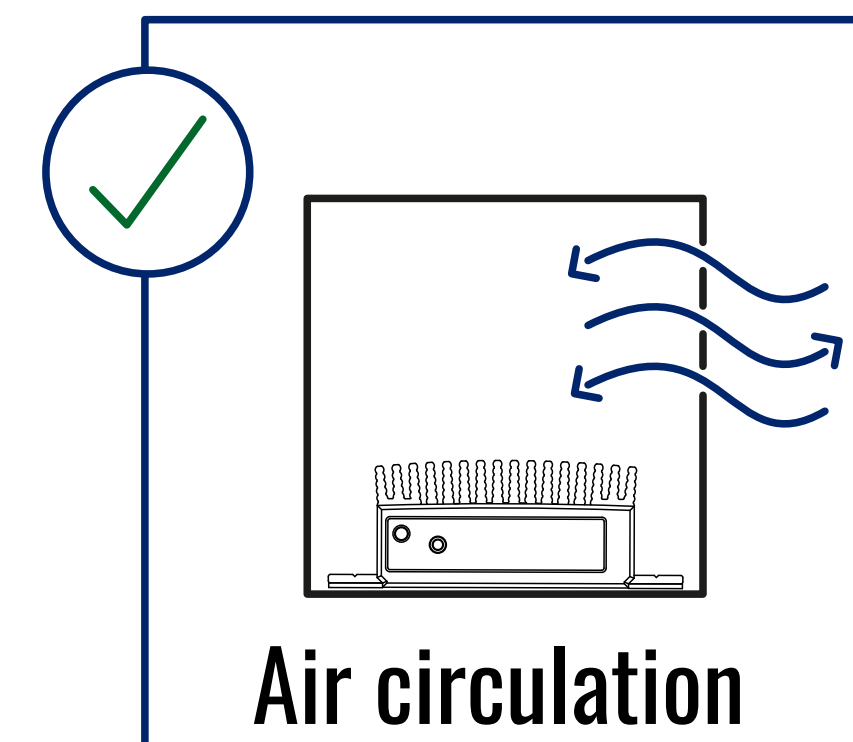
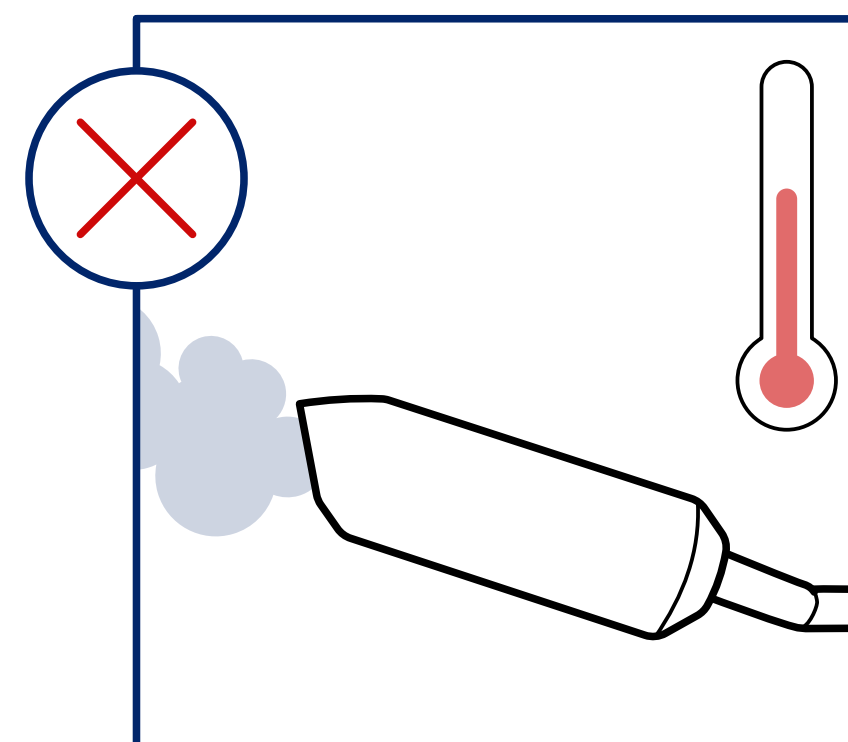
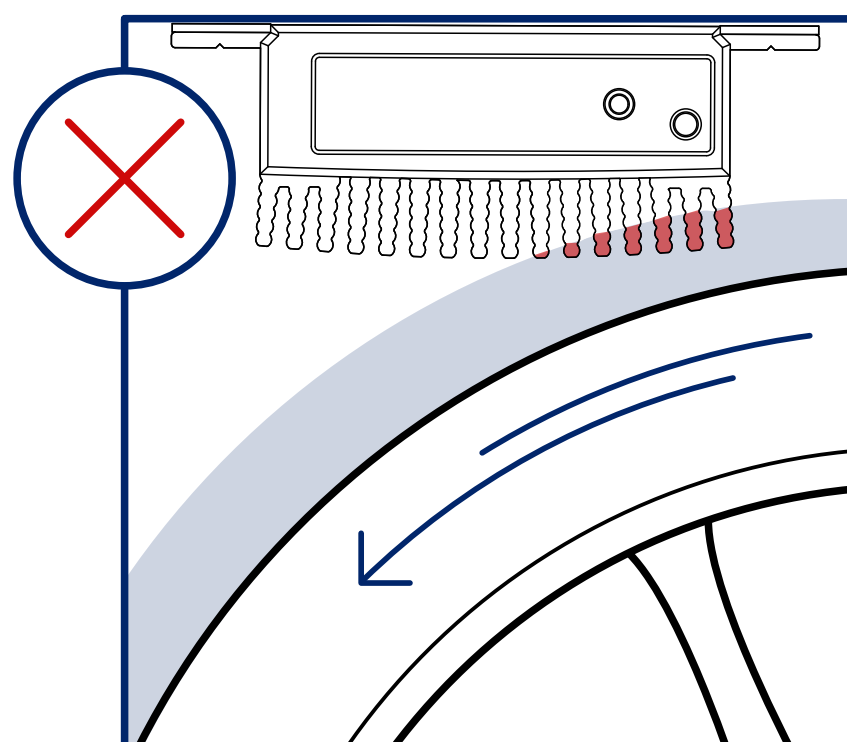
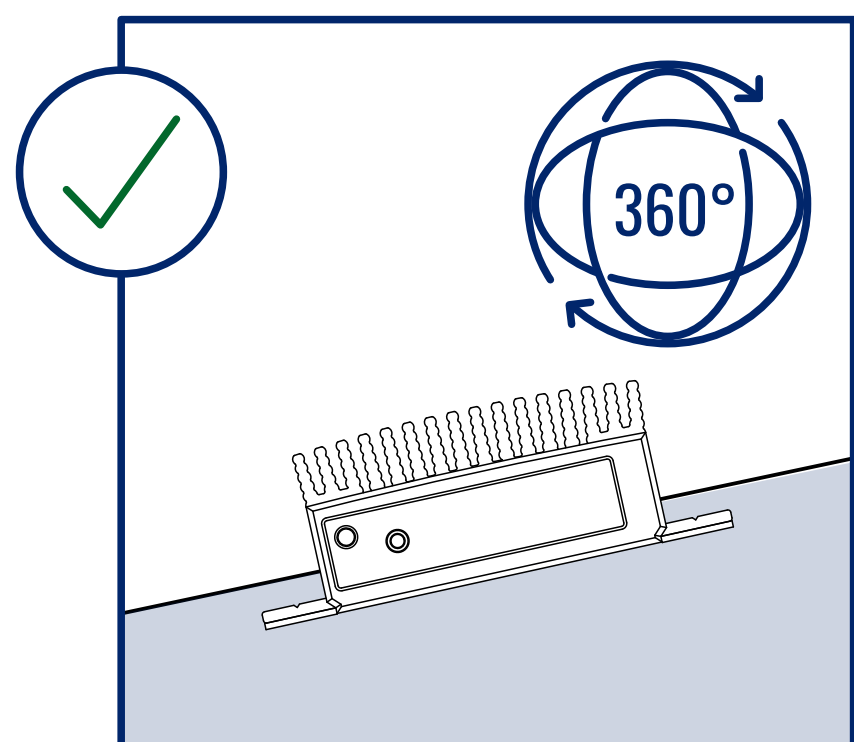
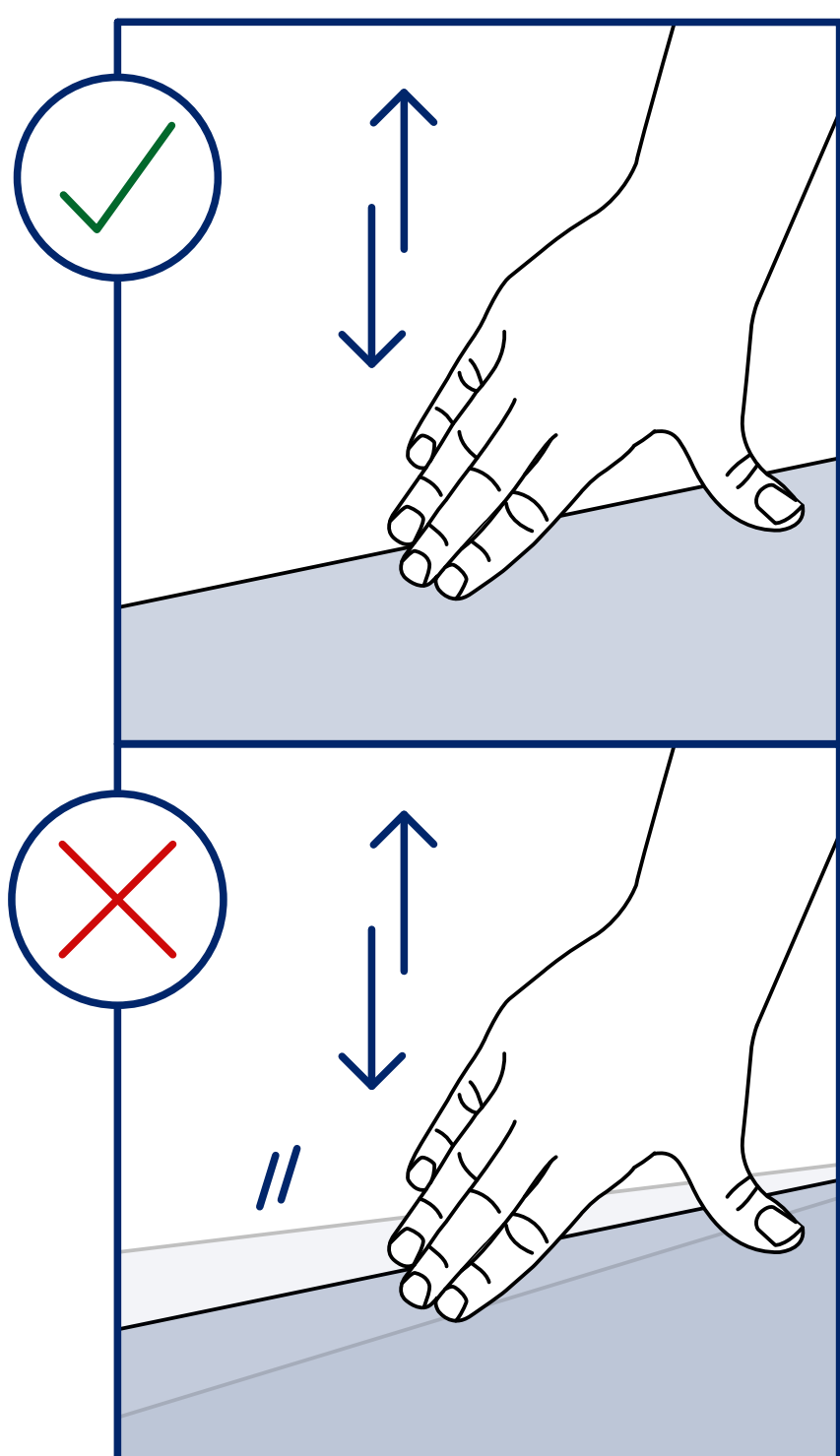
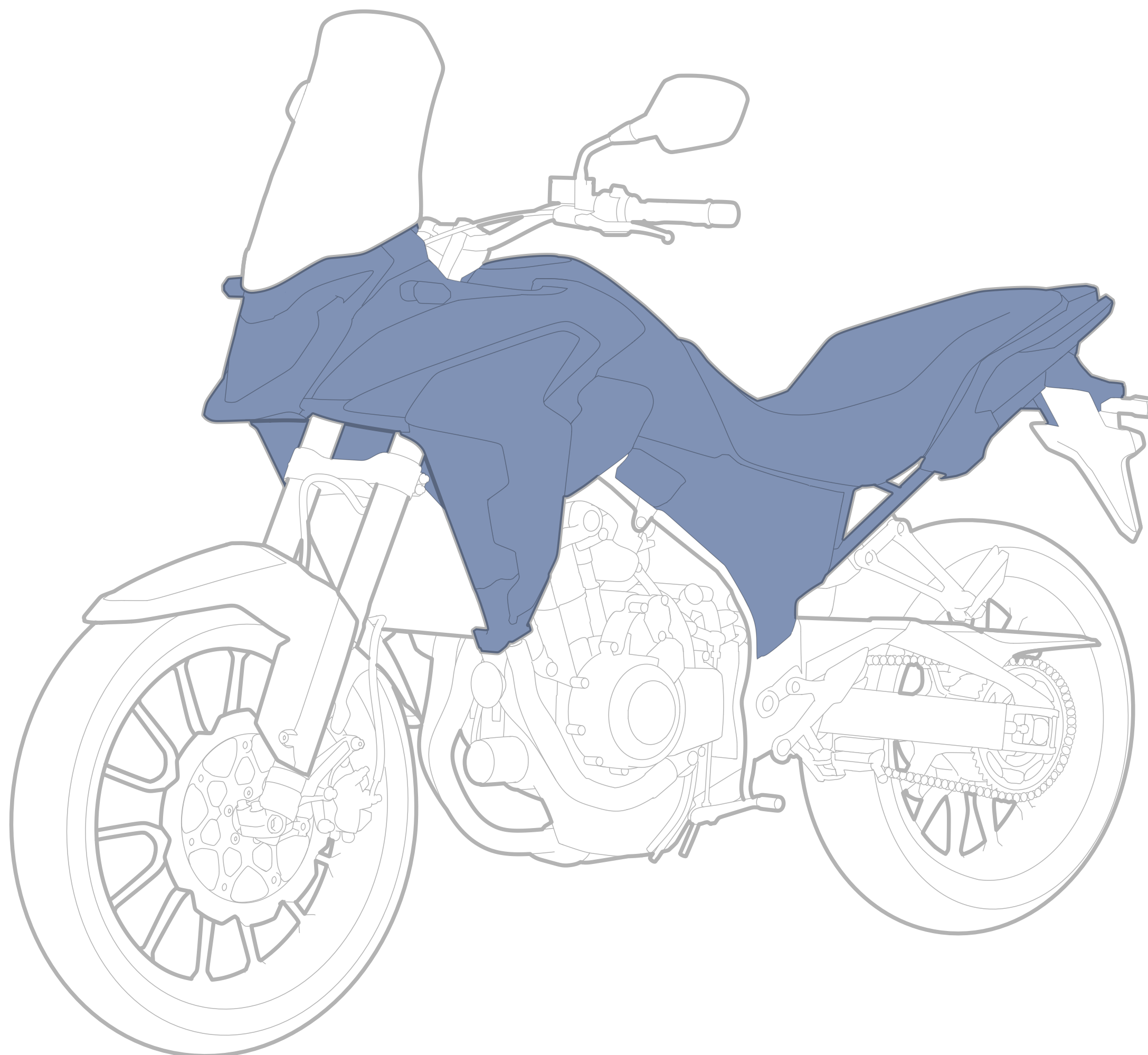
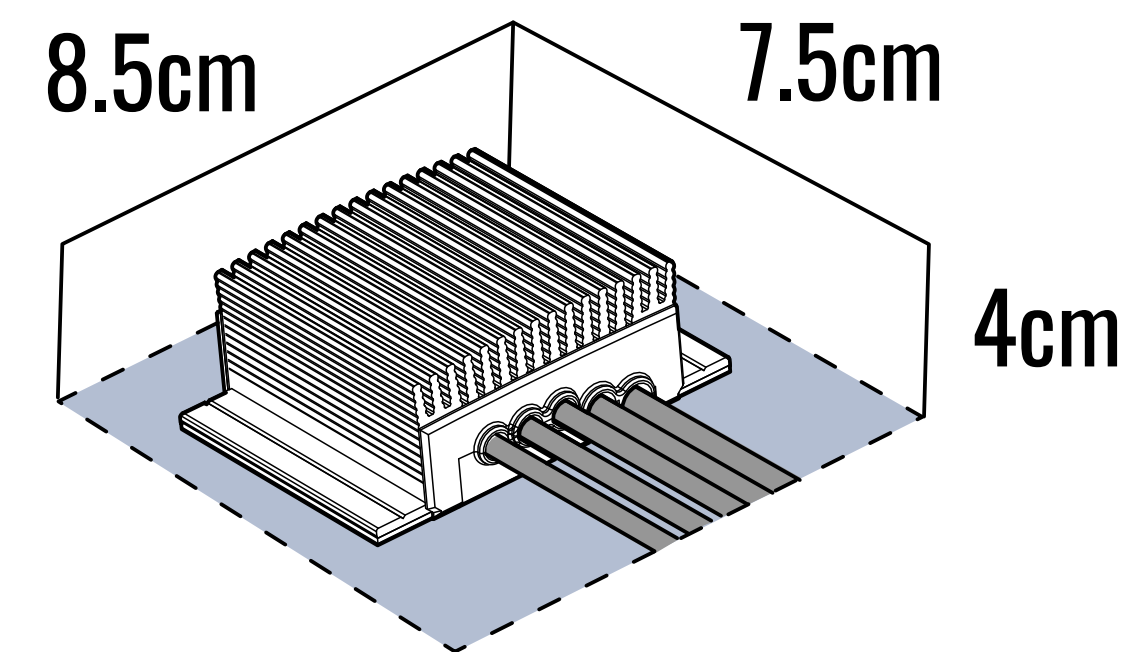
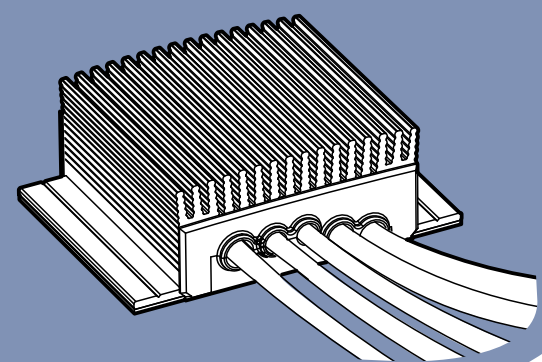
5



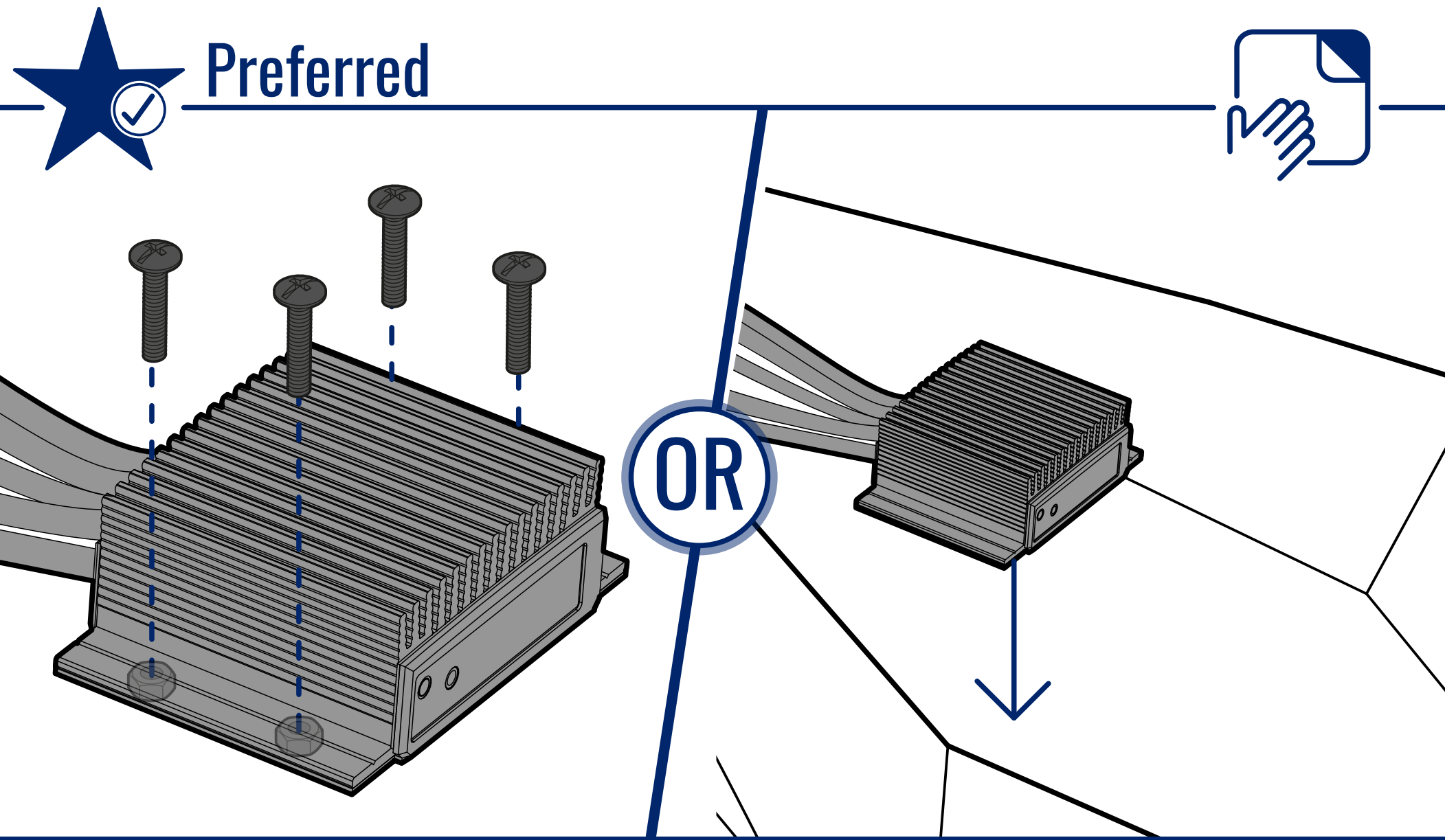
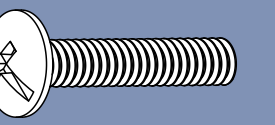
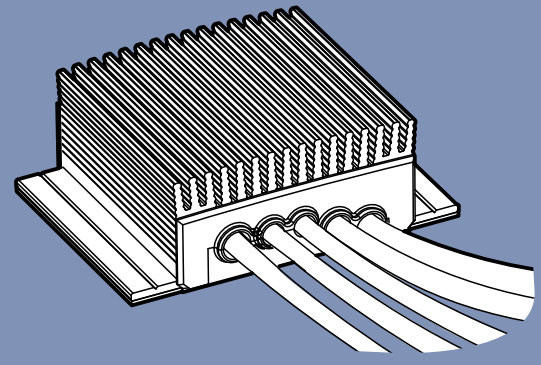
6



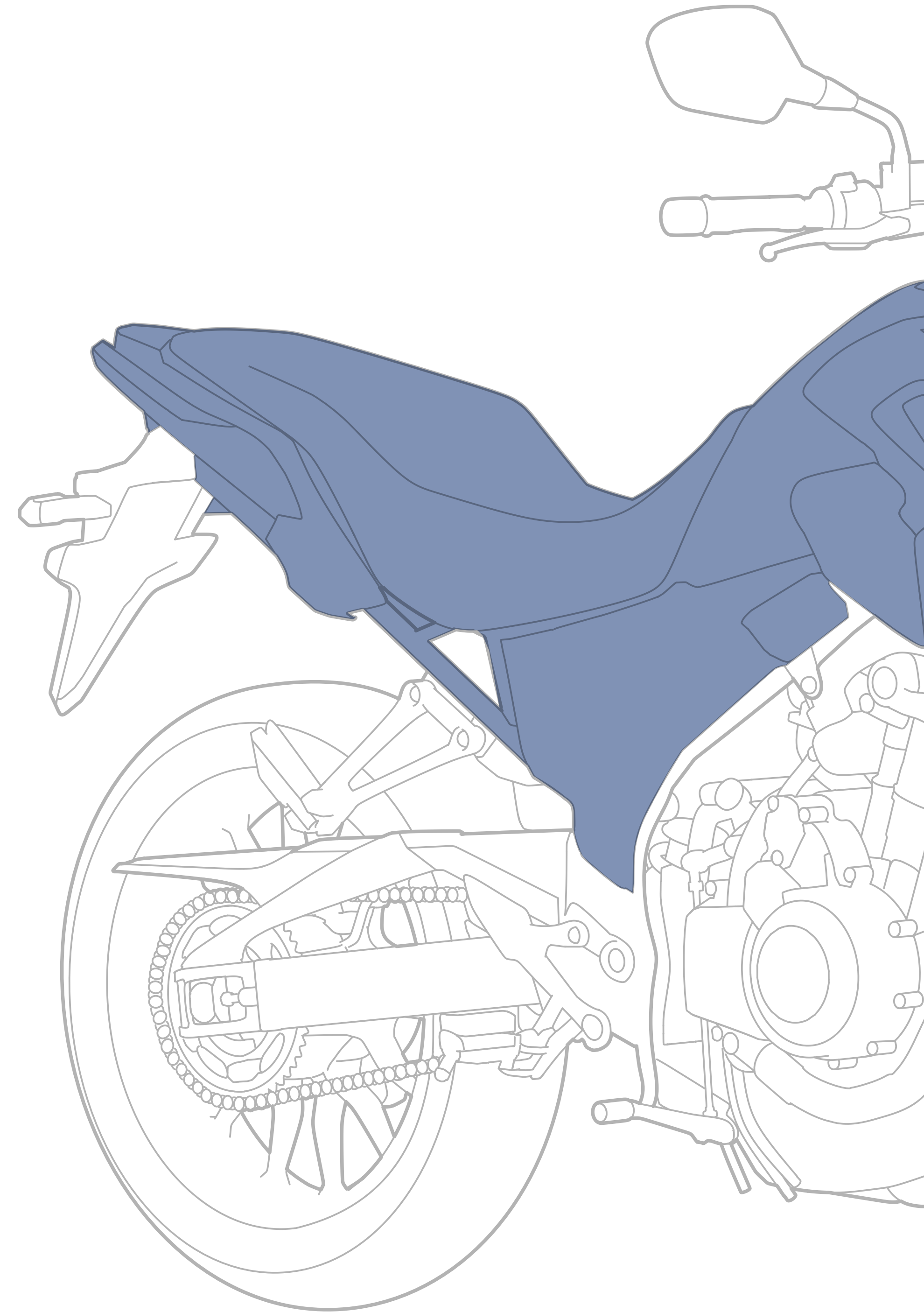
Find Location

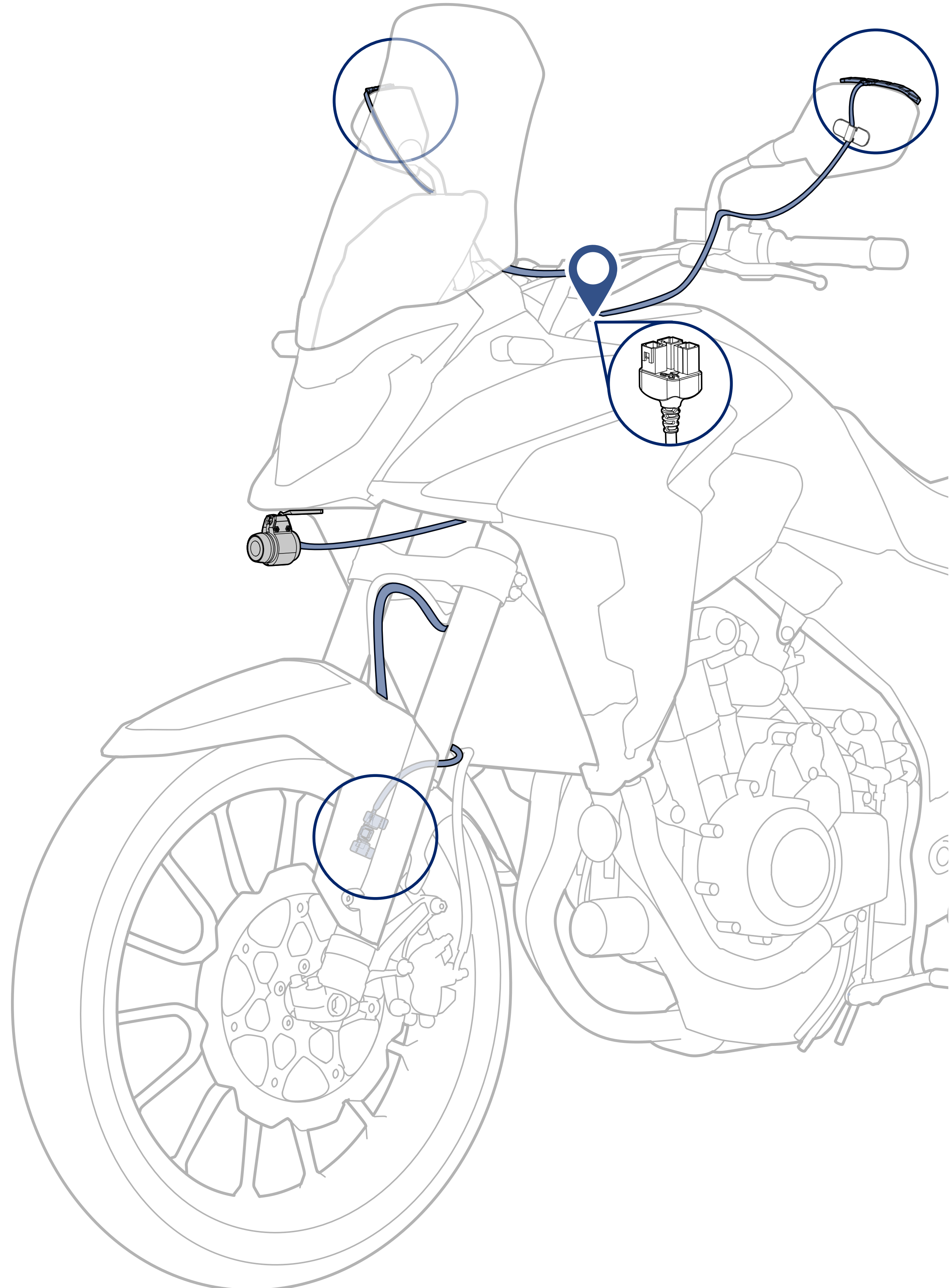
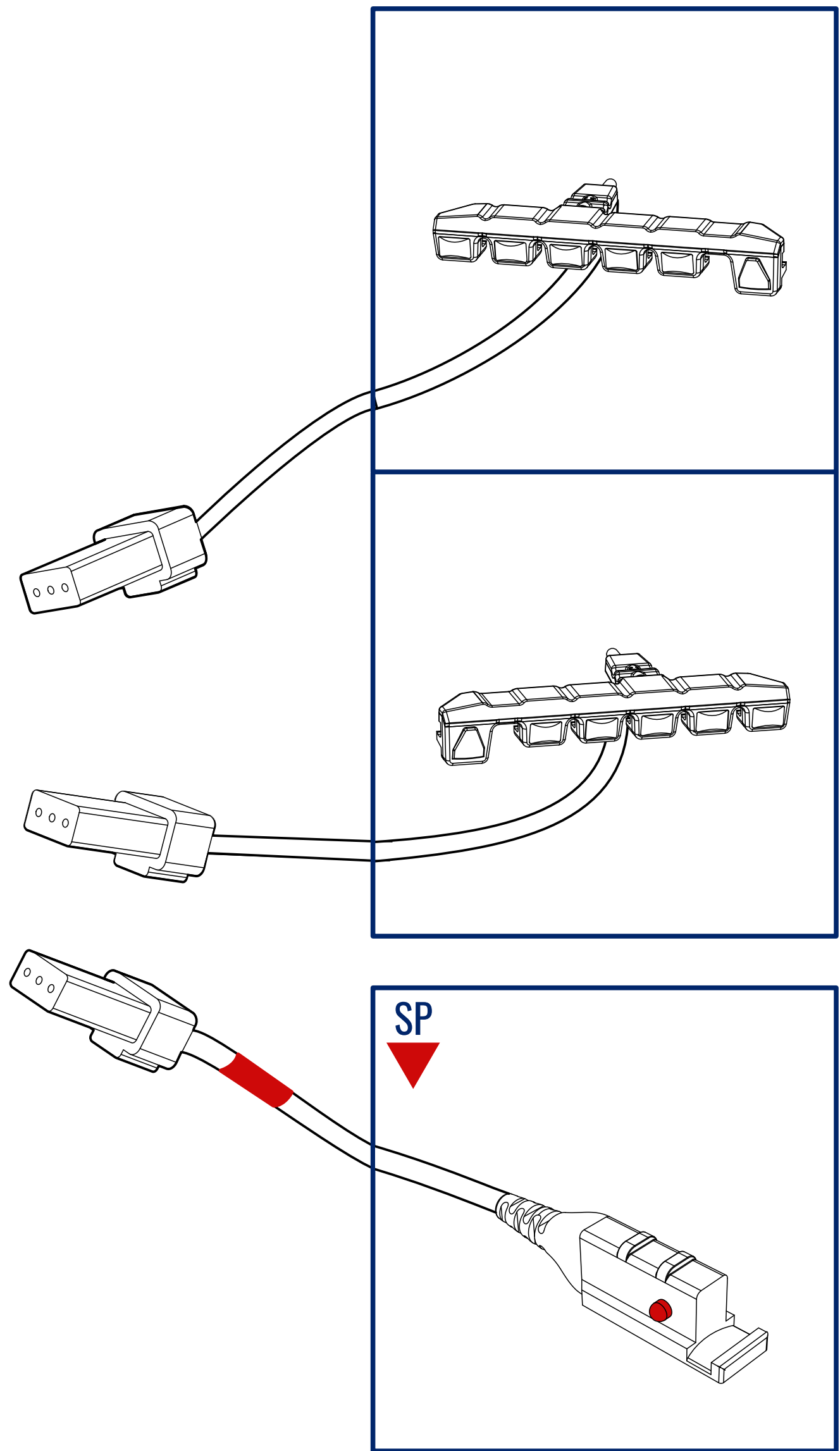
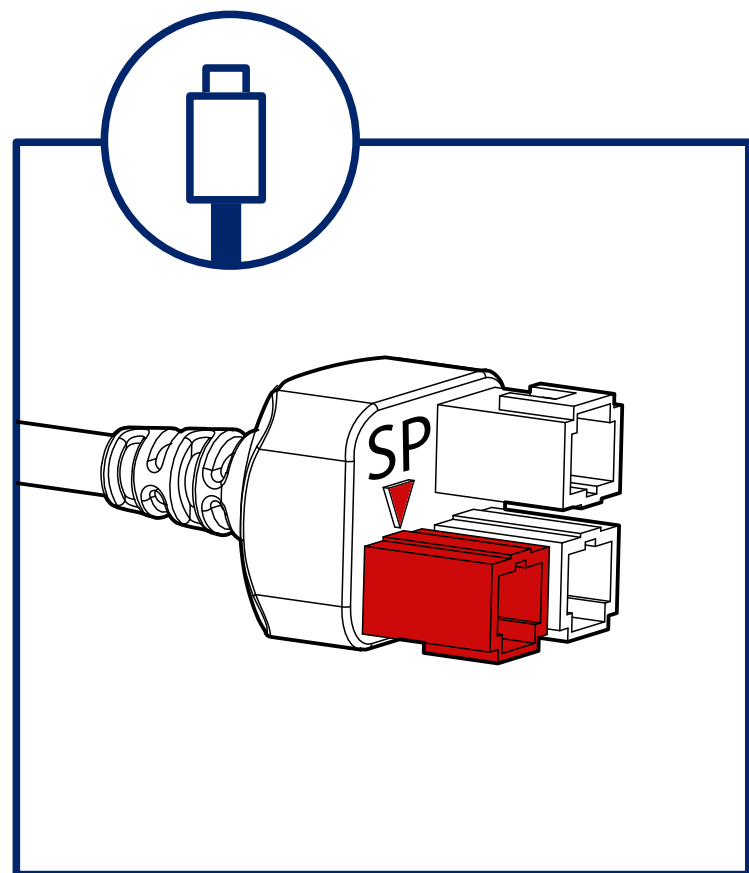
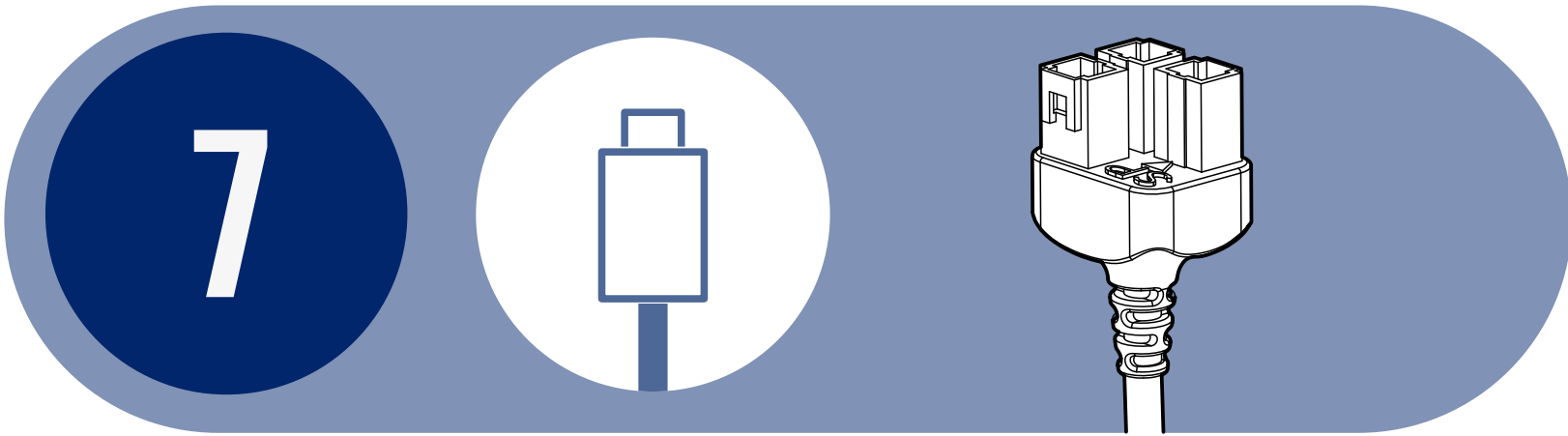


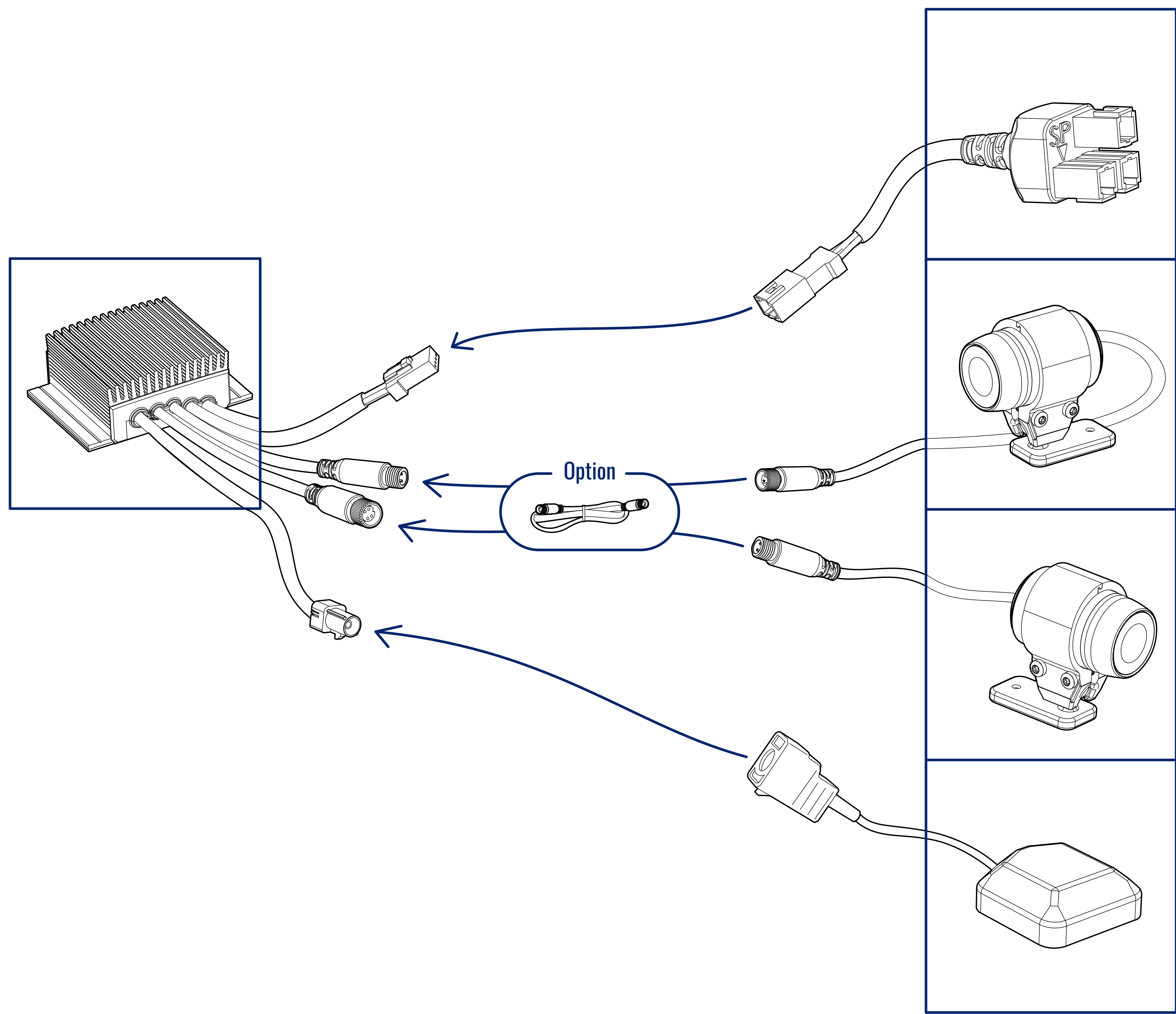
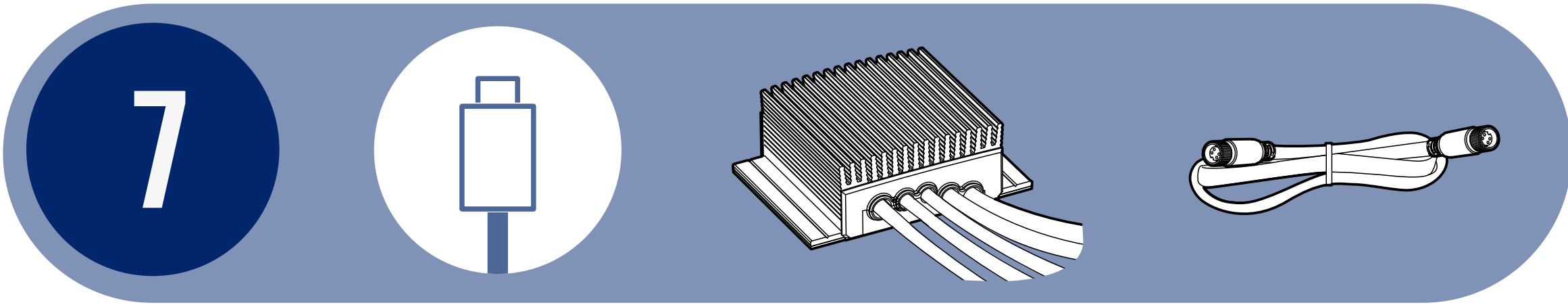
6



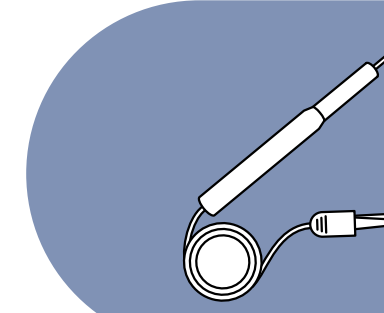
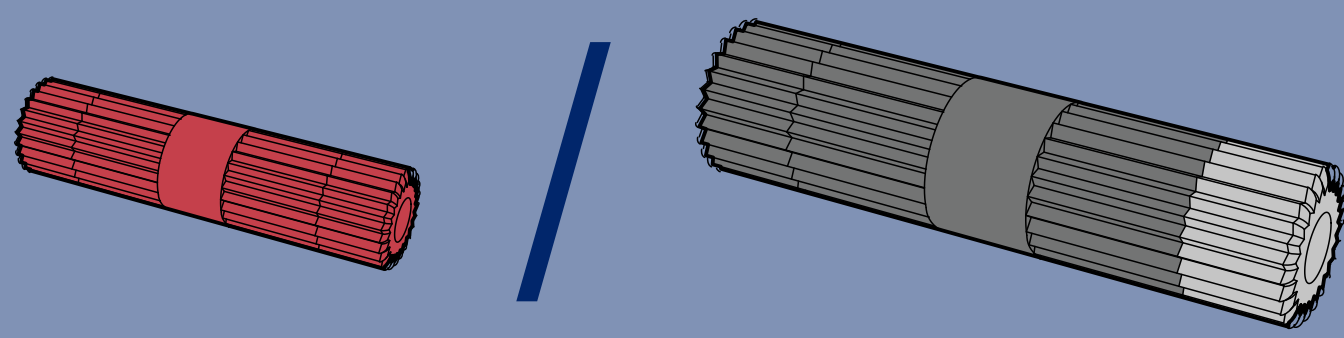
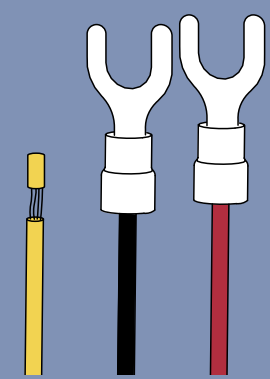
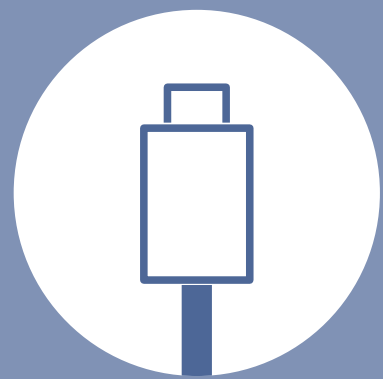
When unit is mounted on an external surface - using screws is mandatory





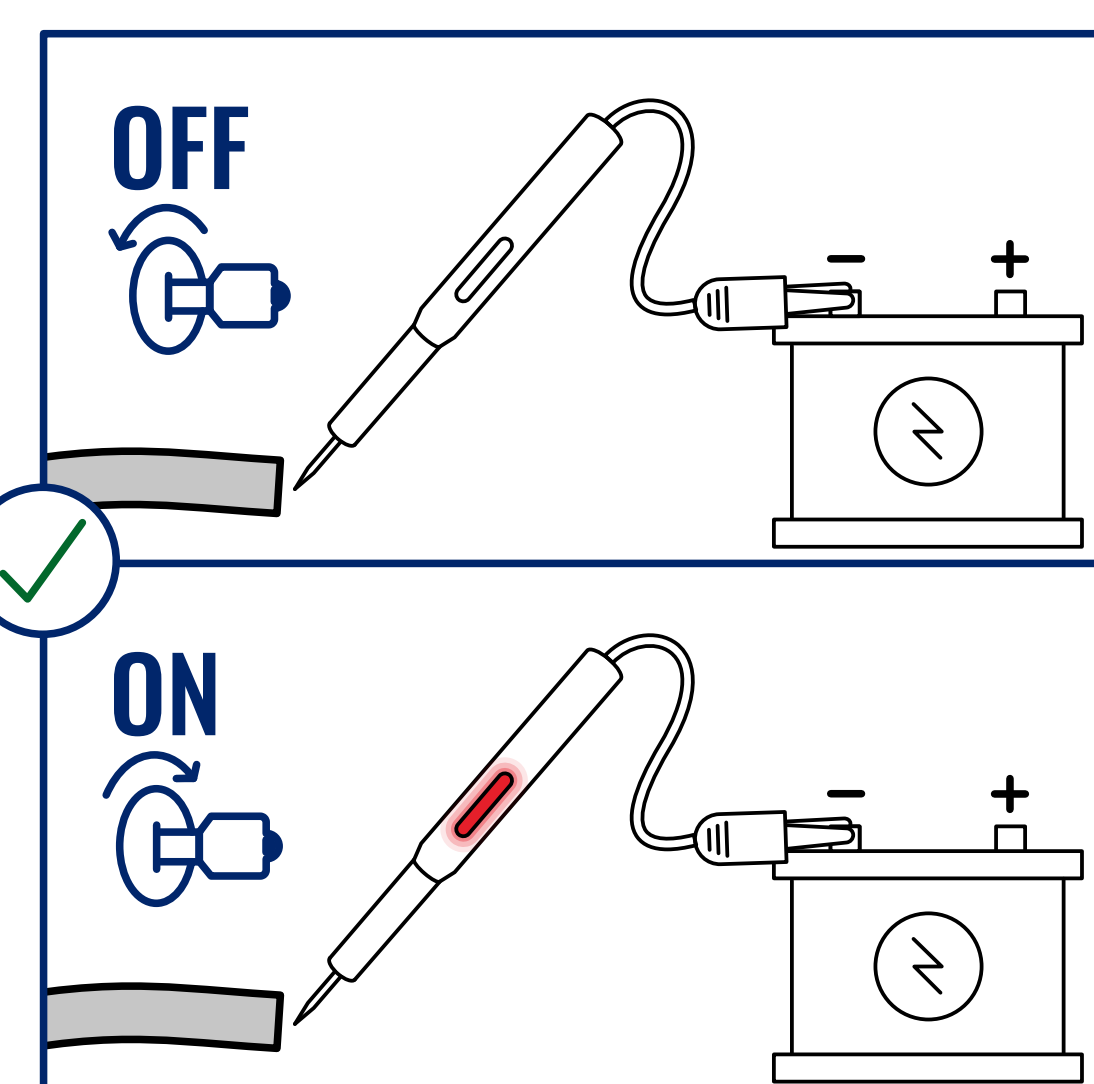
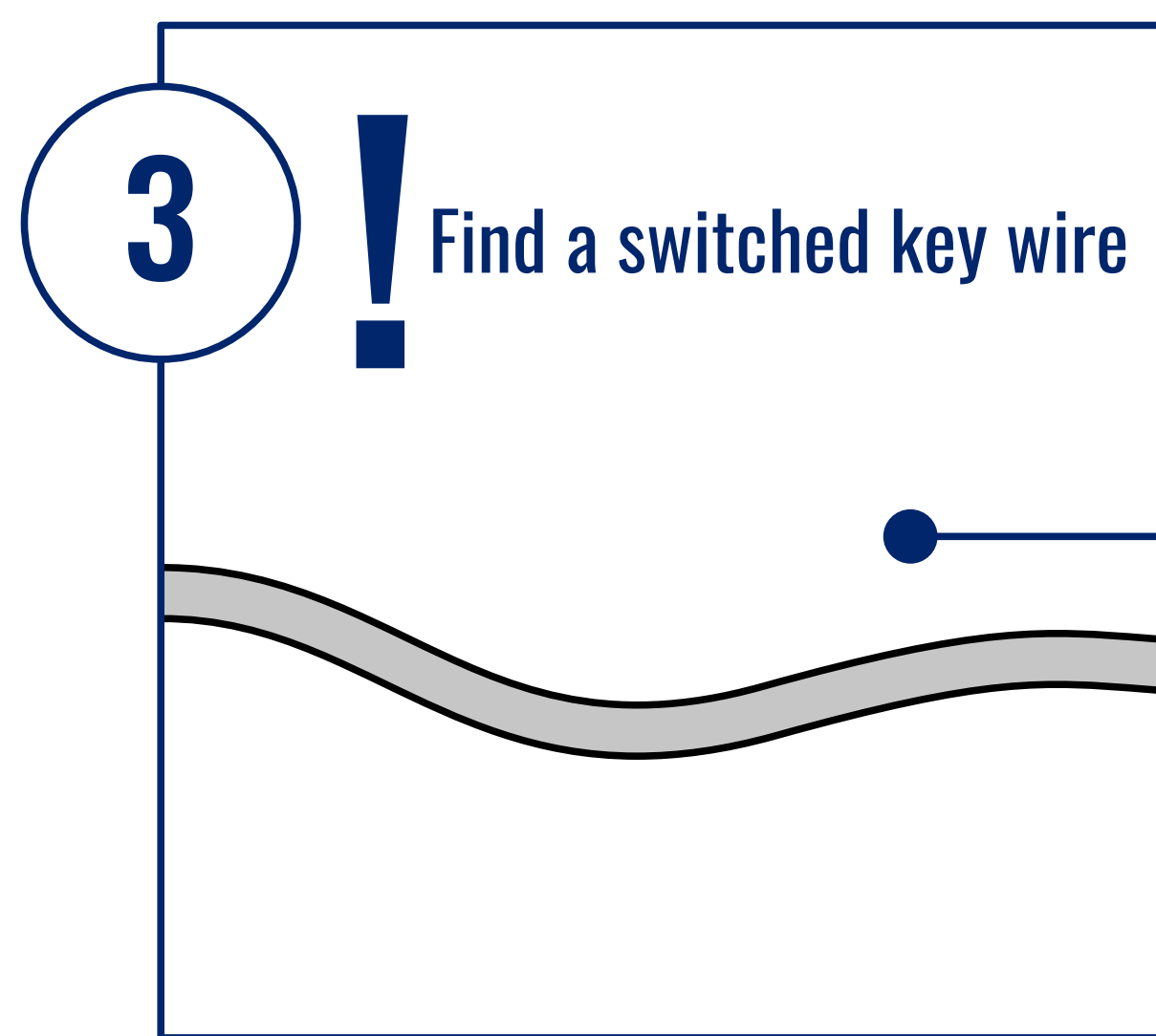
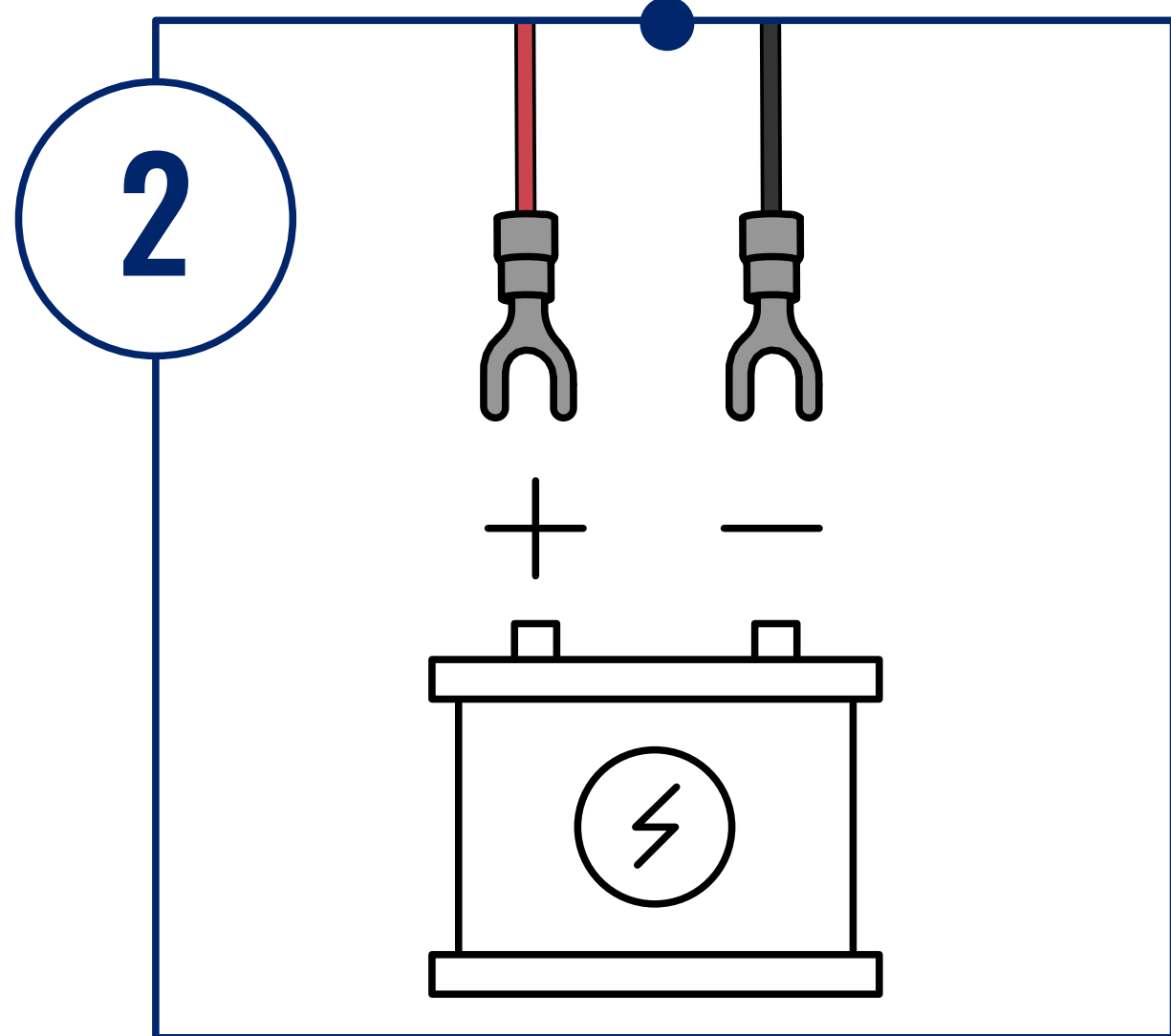
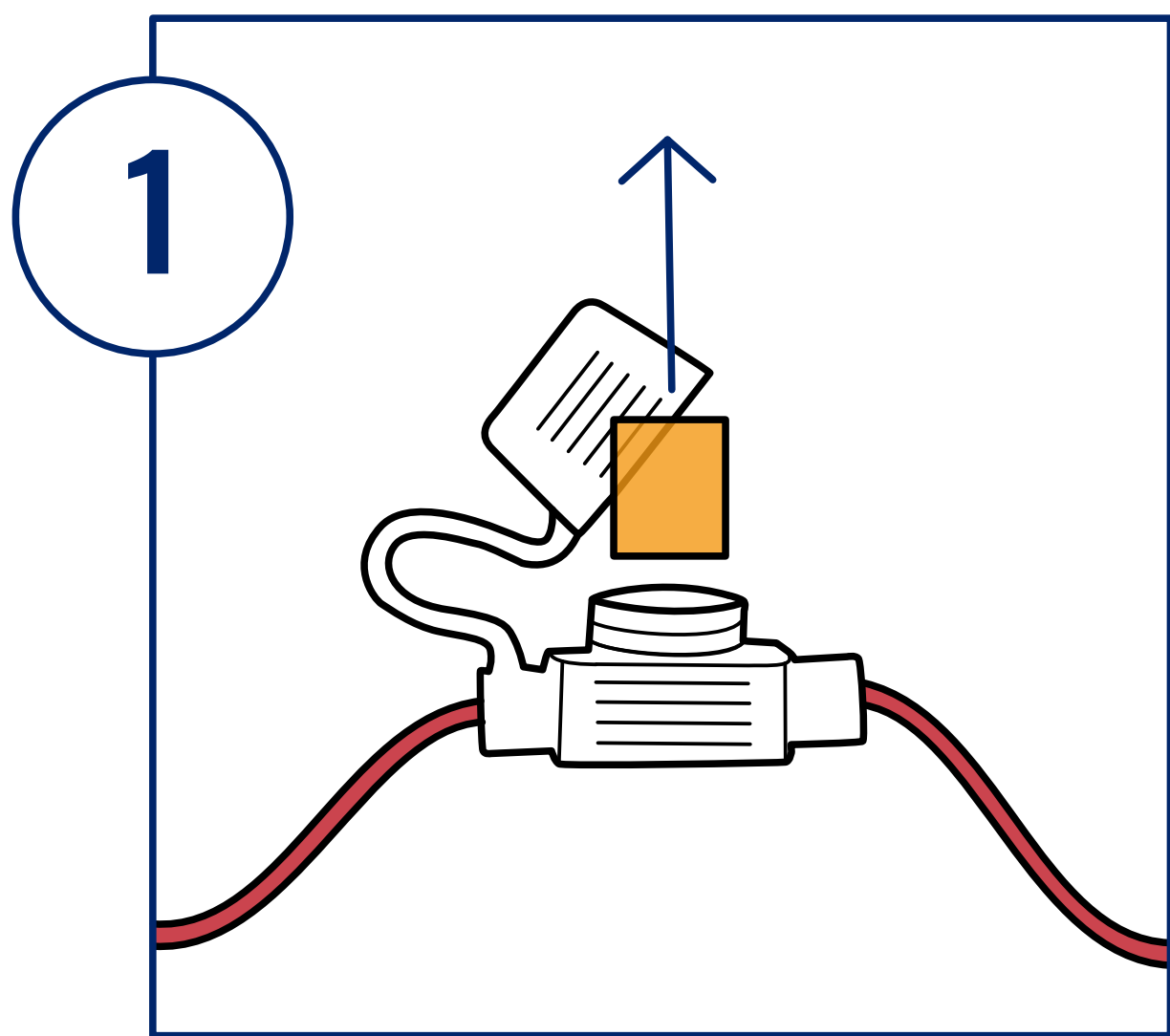


8

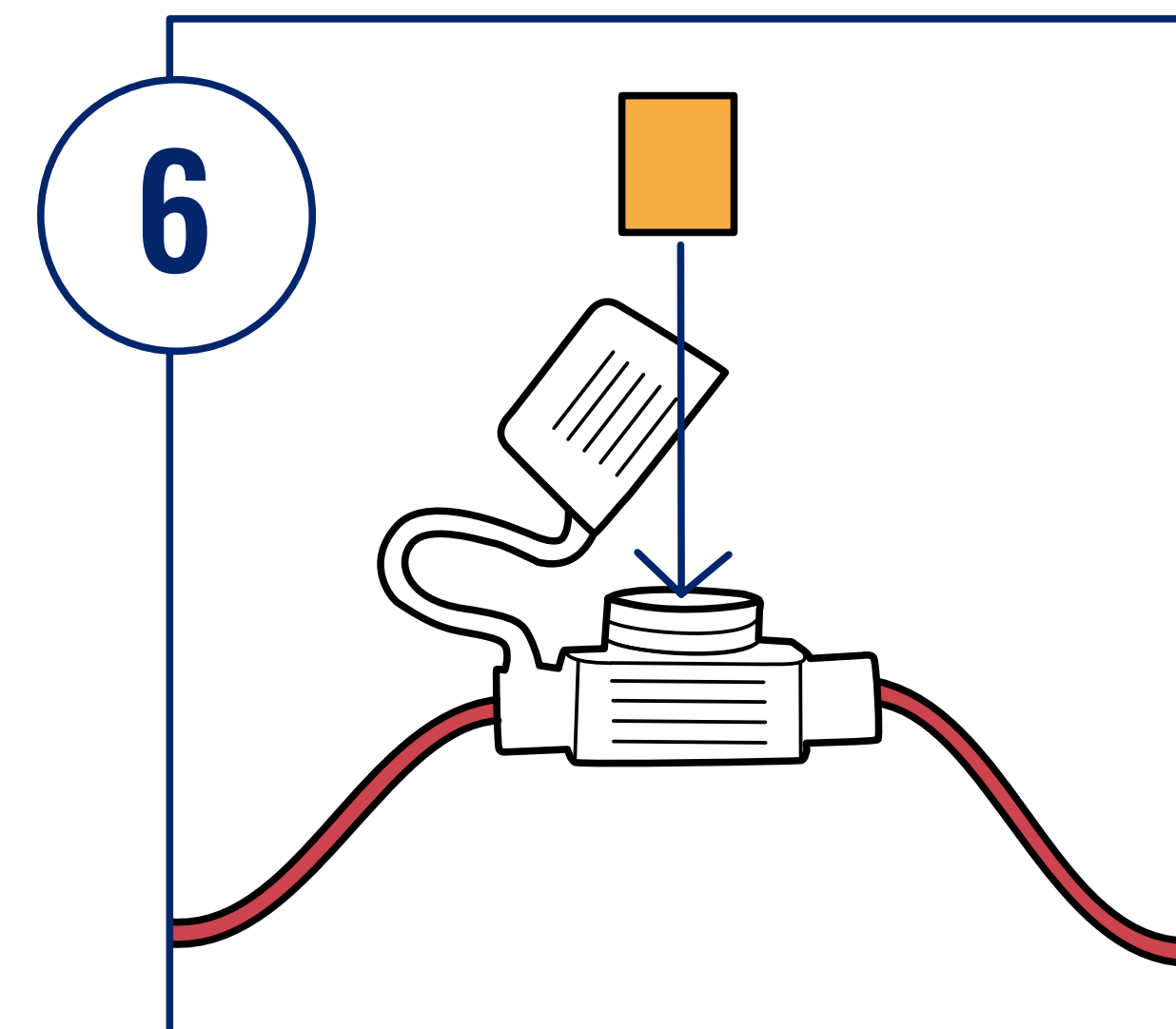
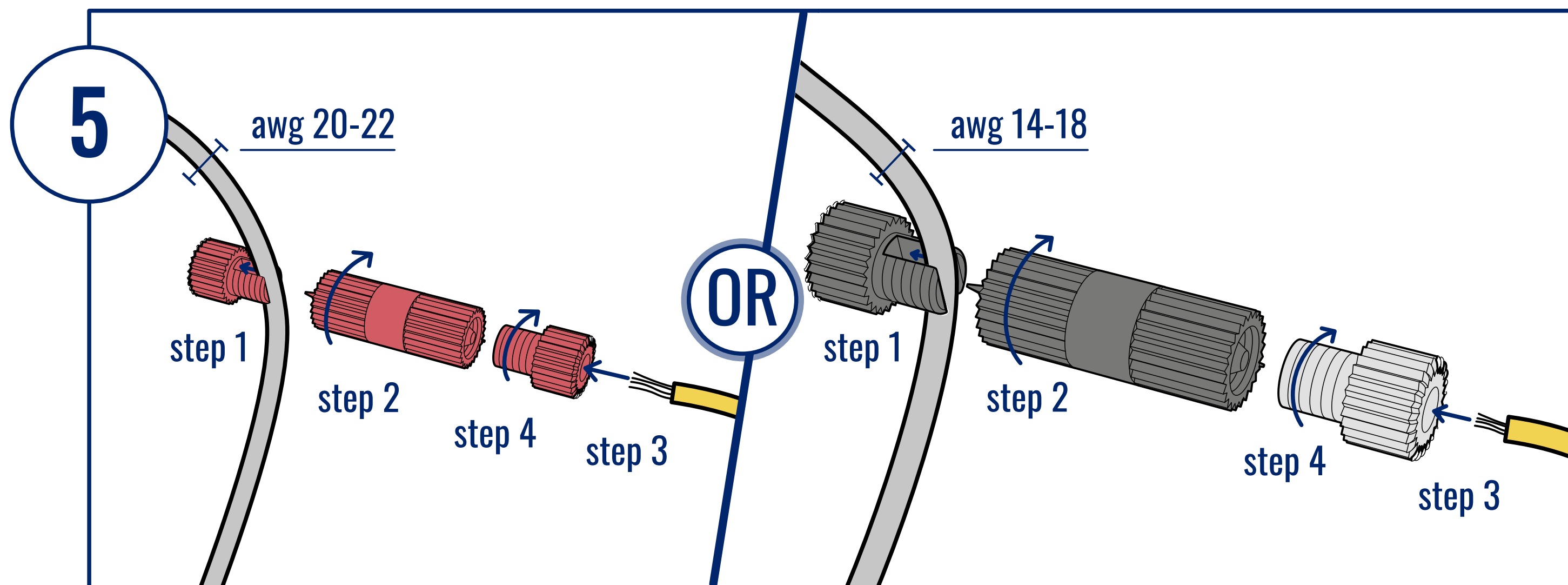
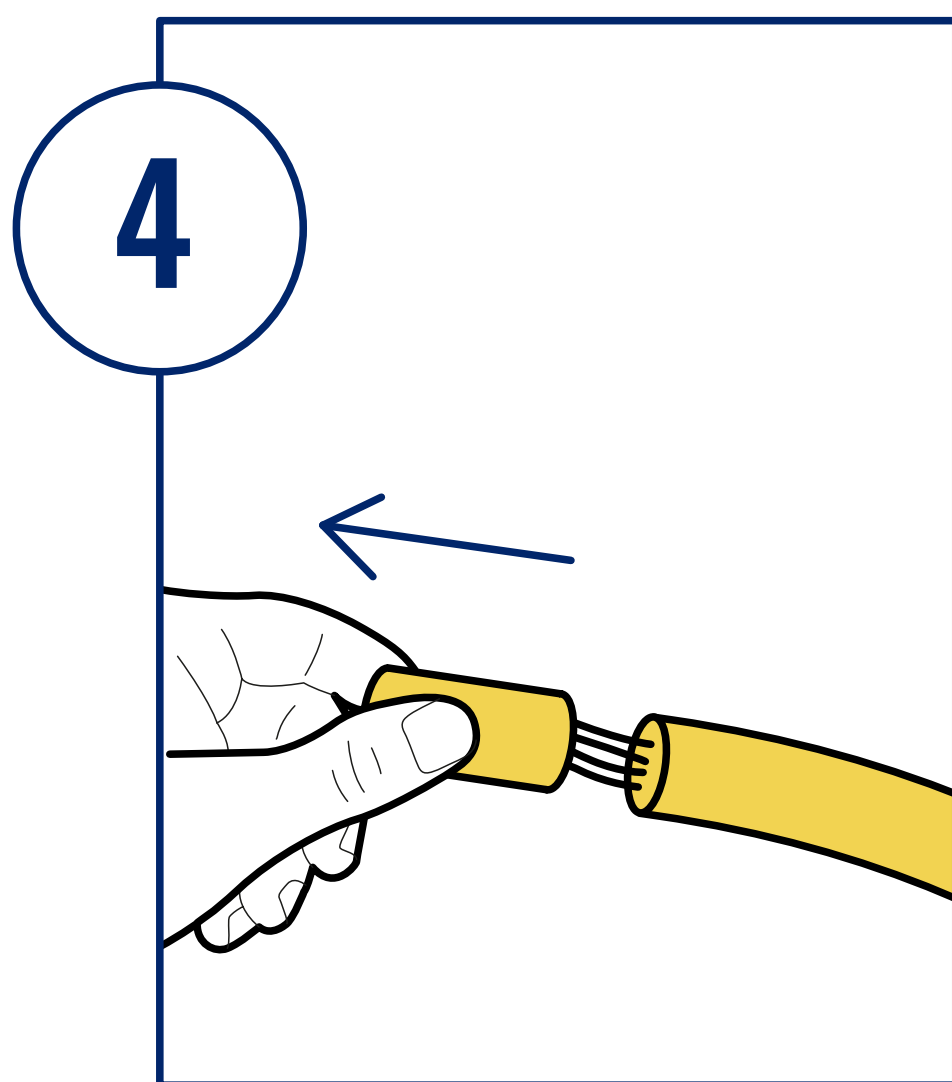


**Red wire - battery positive terminal (+ 12v)**

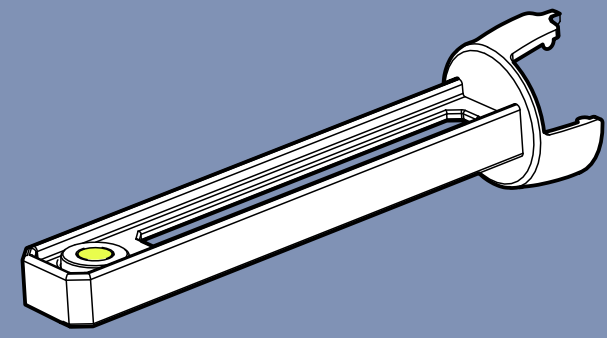
**Black wire - battery negative terminal (- 12v)**



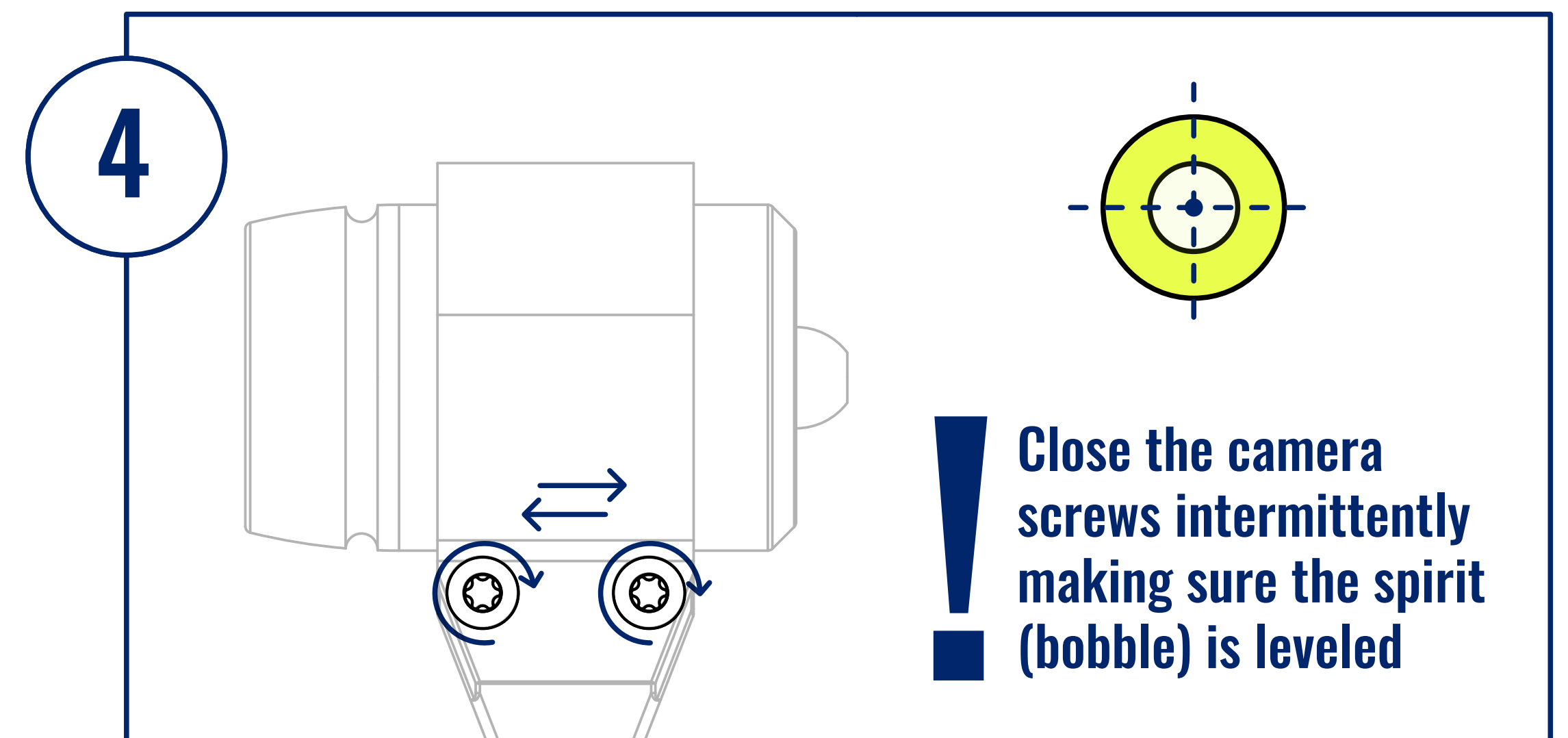
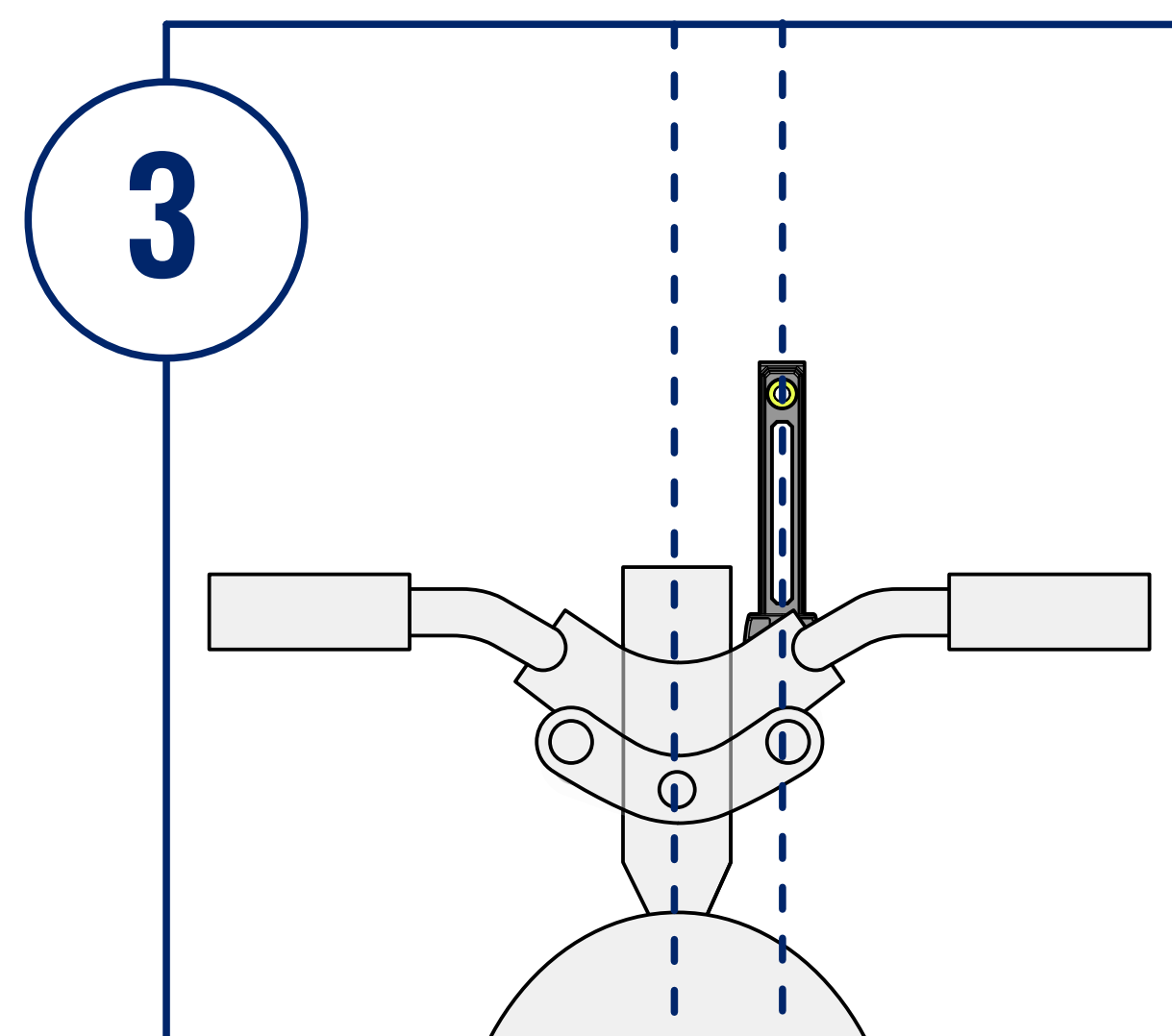
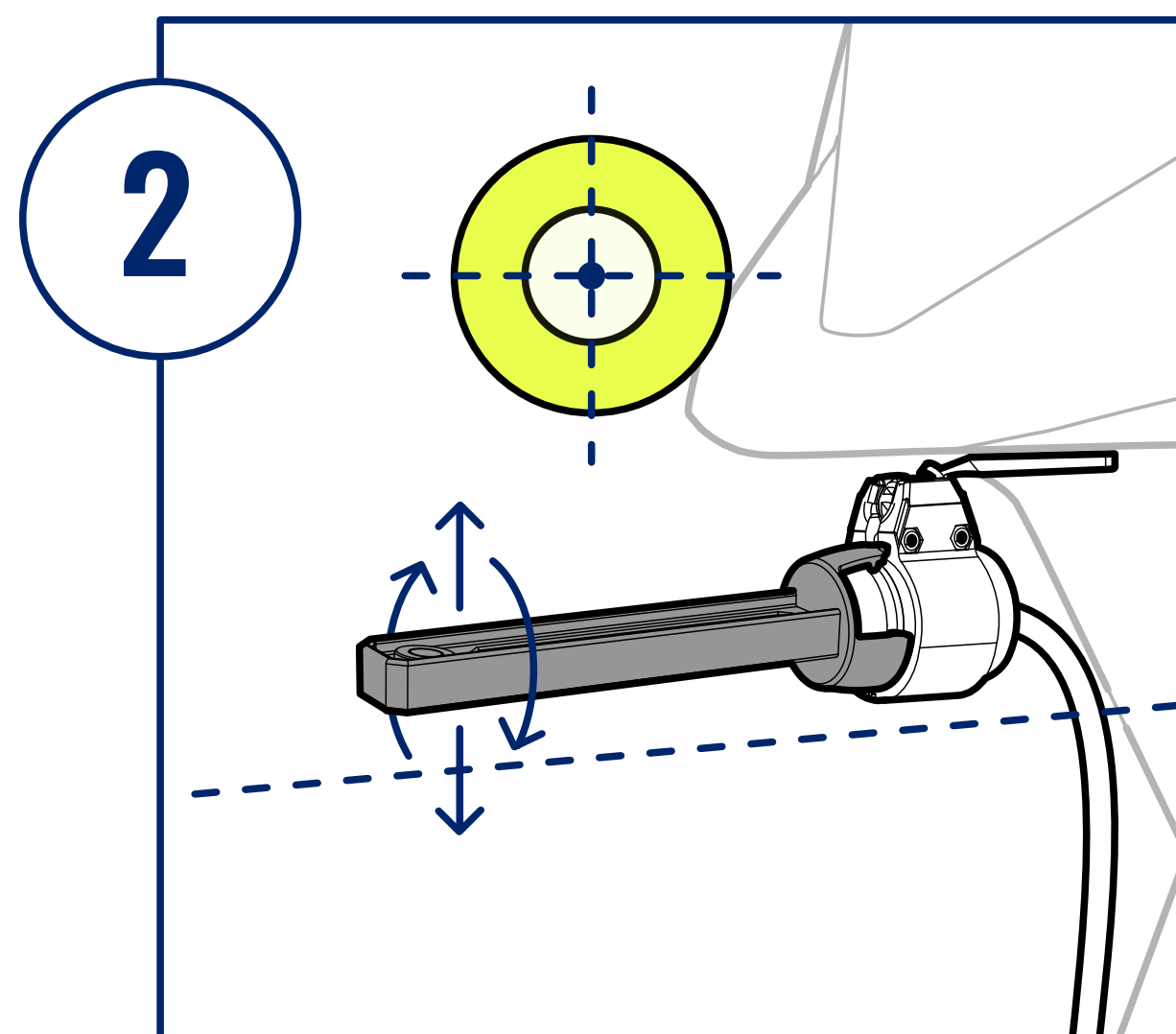
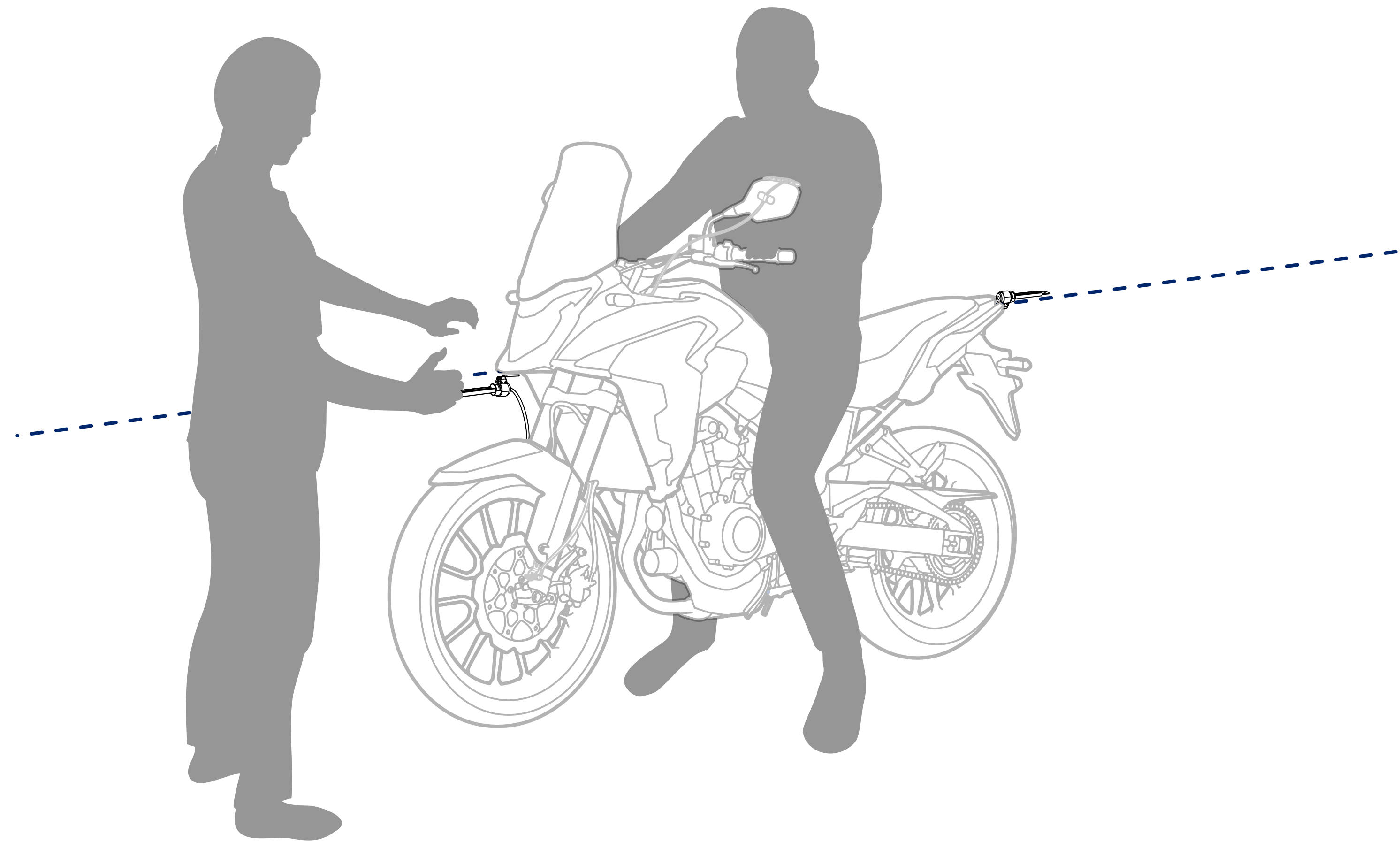
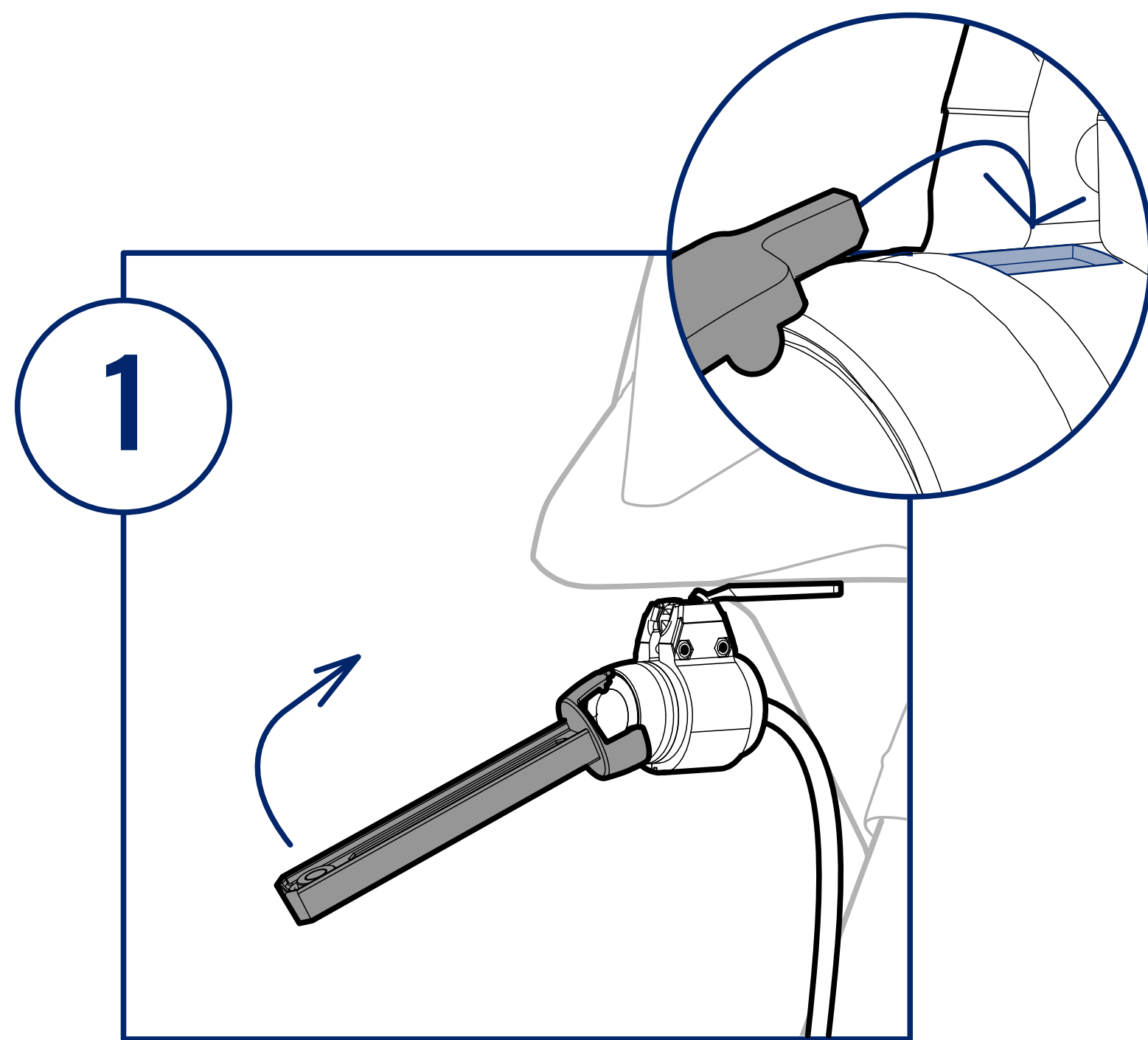
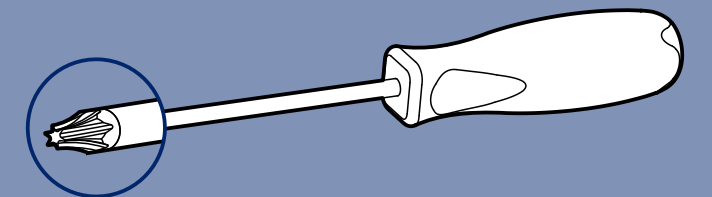
Connected the **yellow** wire to the **switched key** wire



9

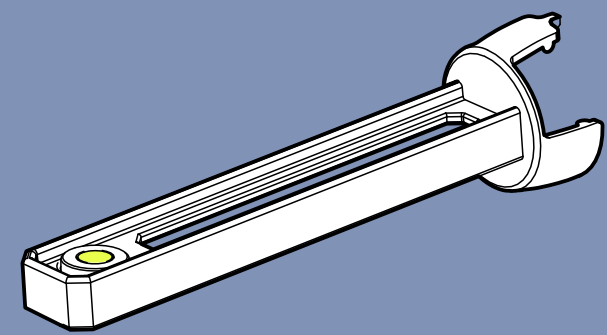


# Rear and Front

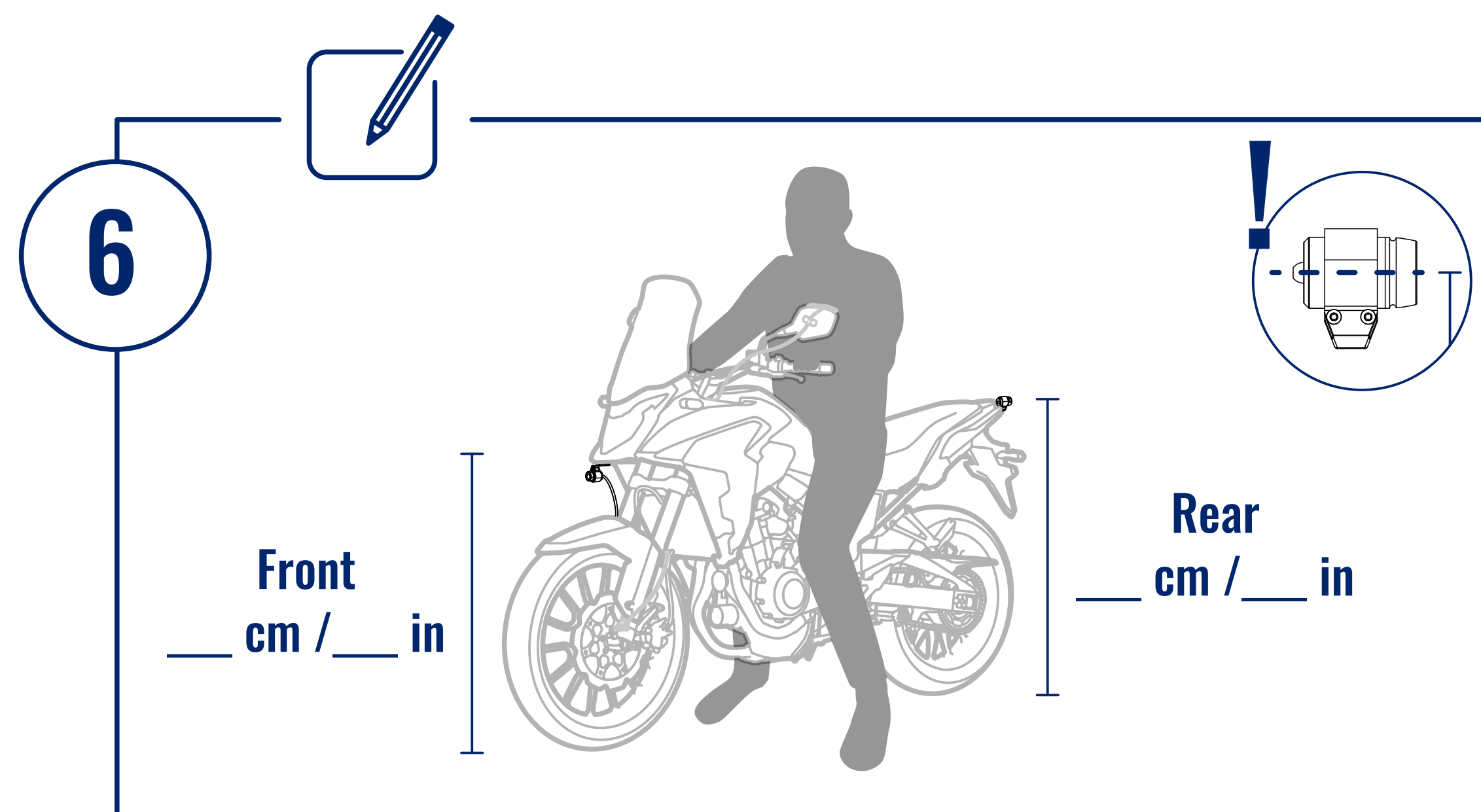
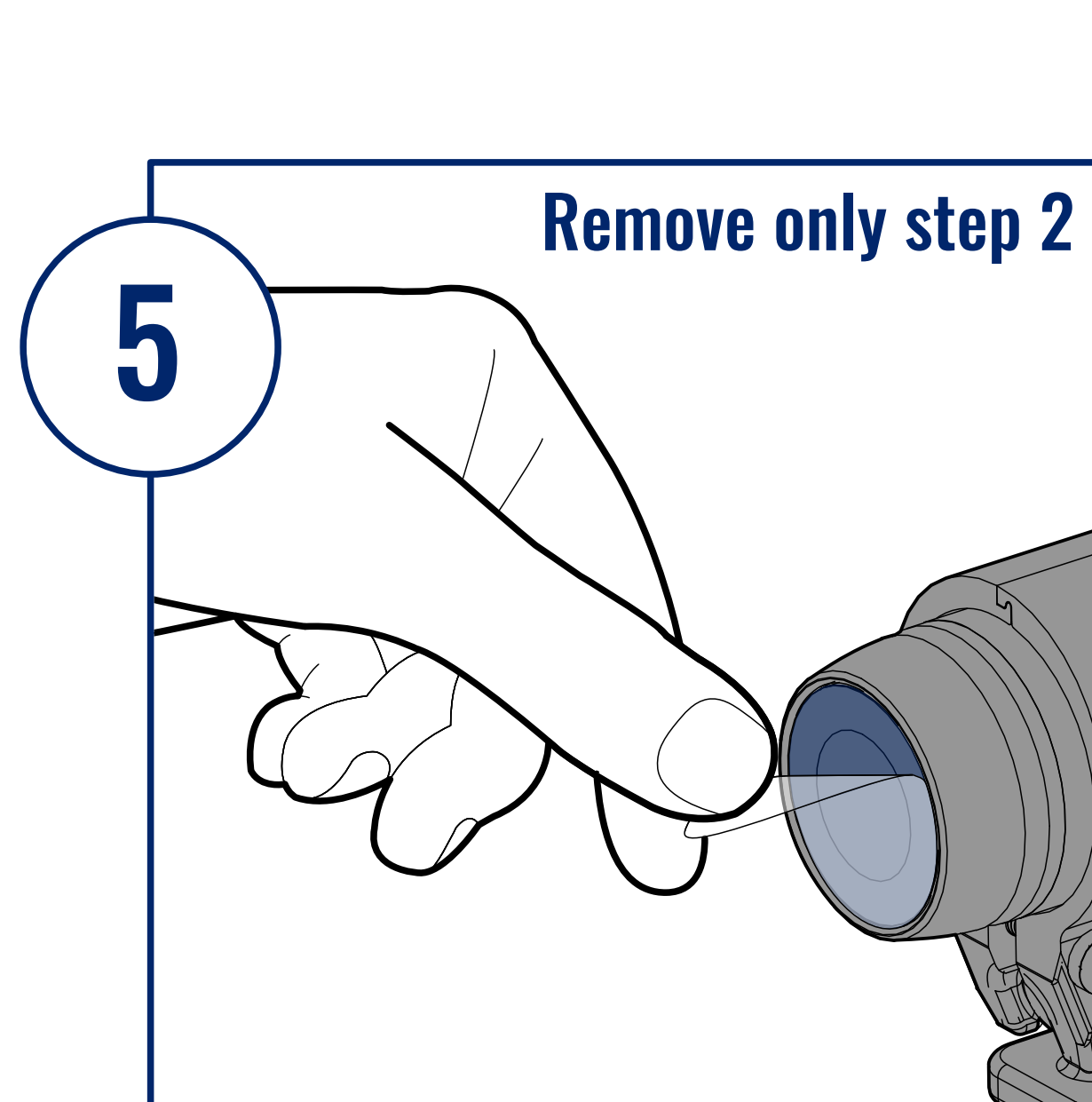
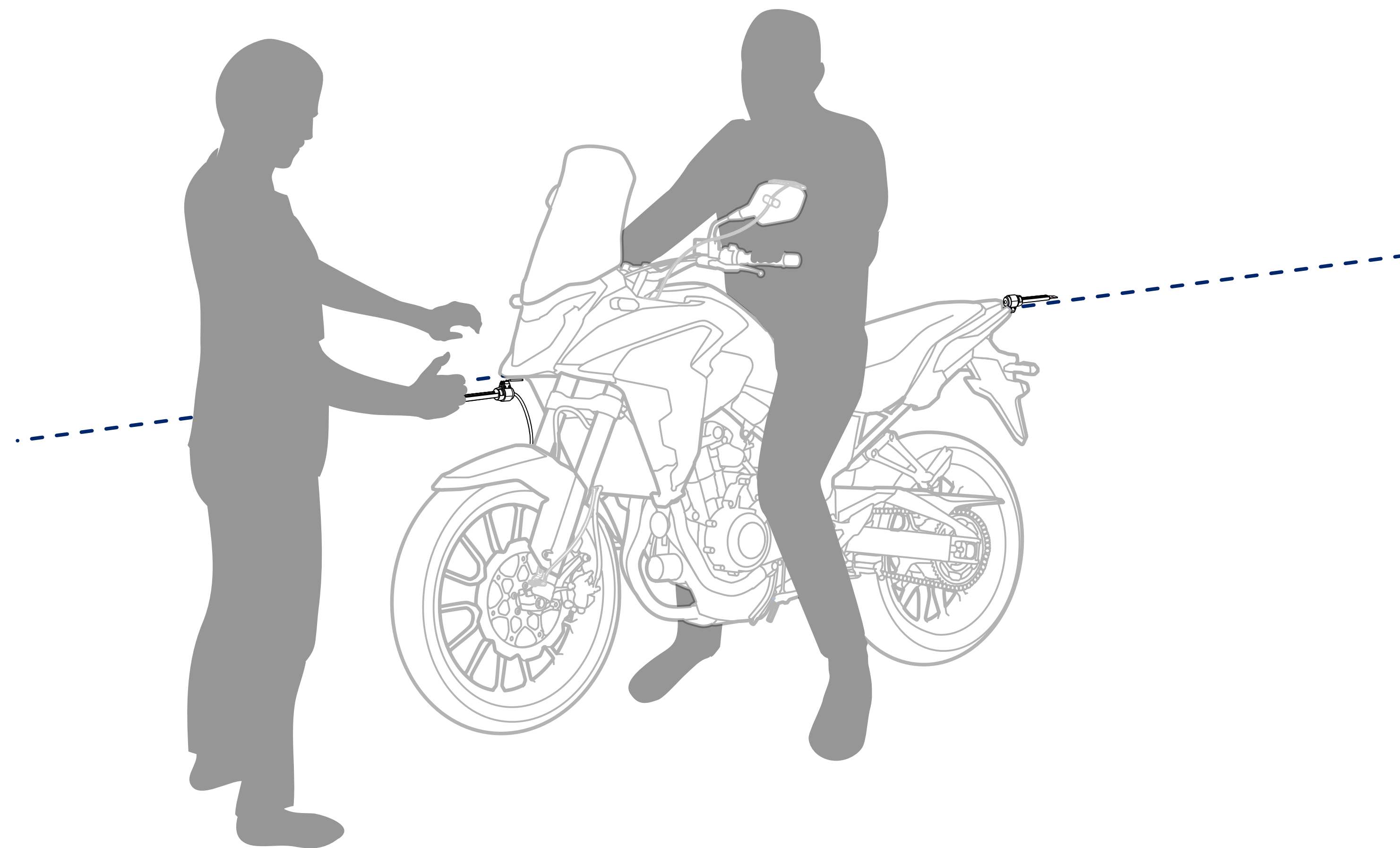
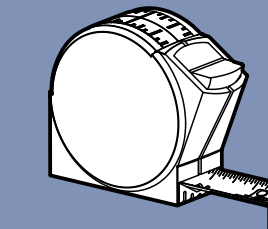




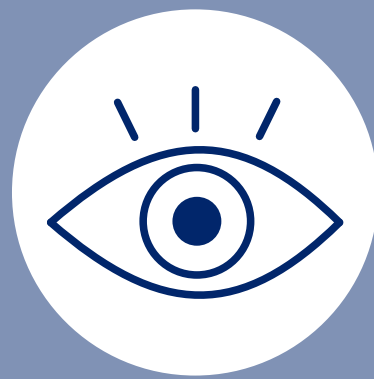
9



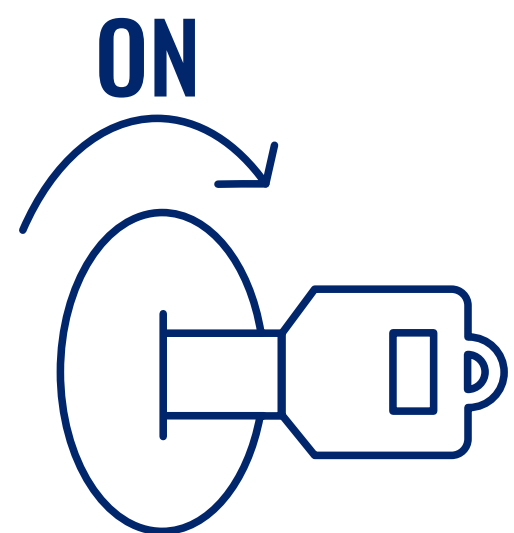
# Rear and Front



10



1

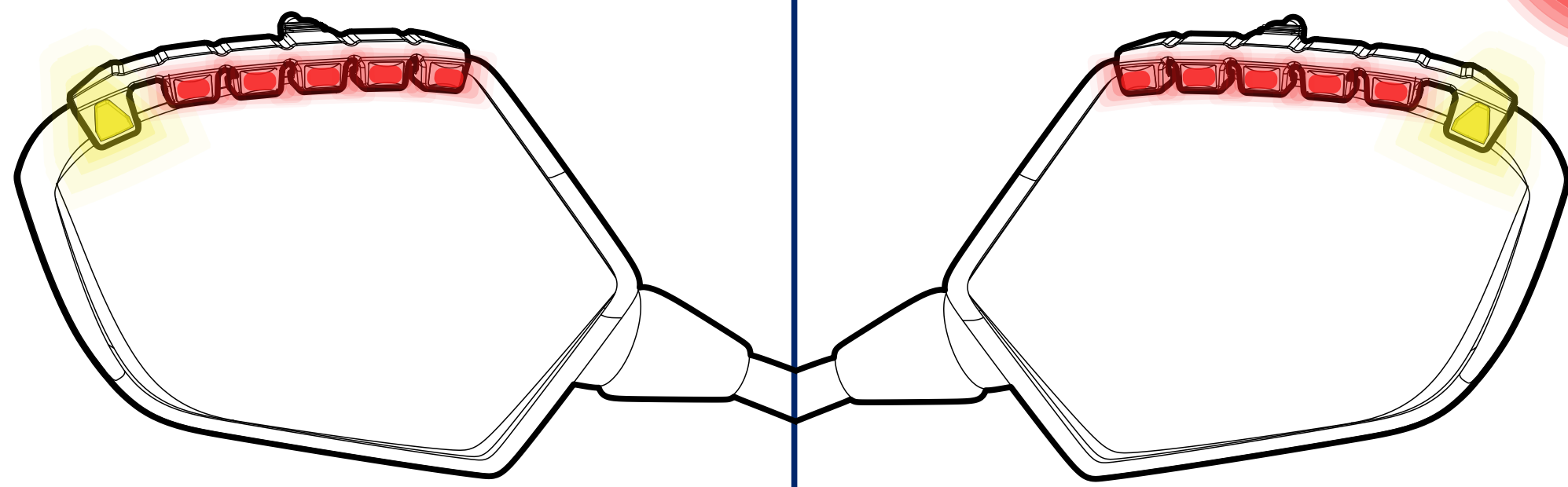


→ ≤ 15 SEC

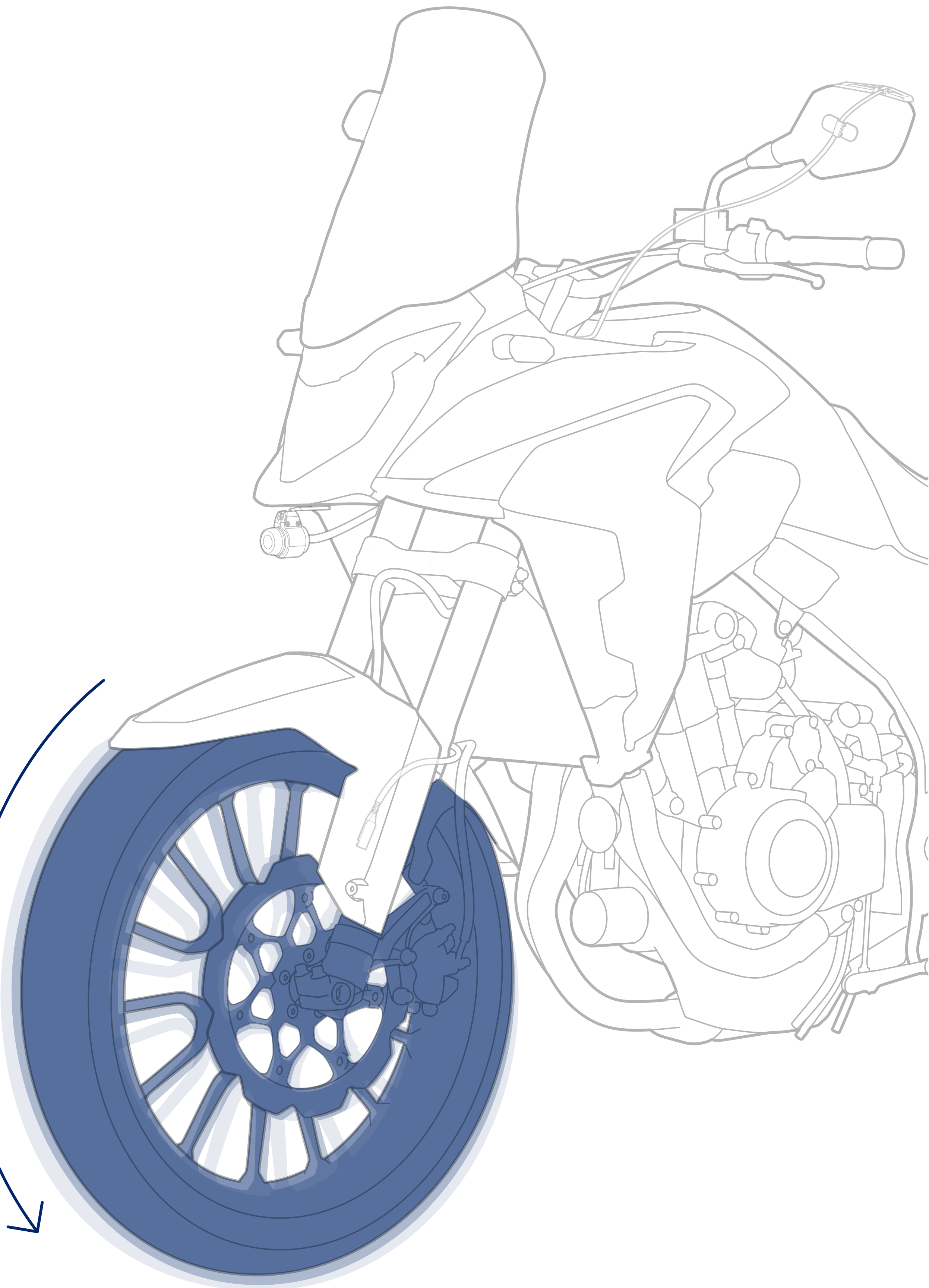
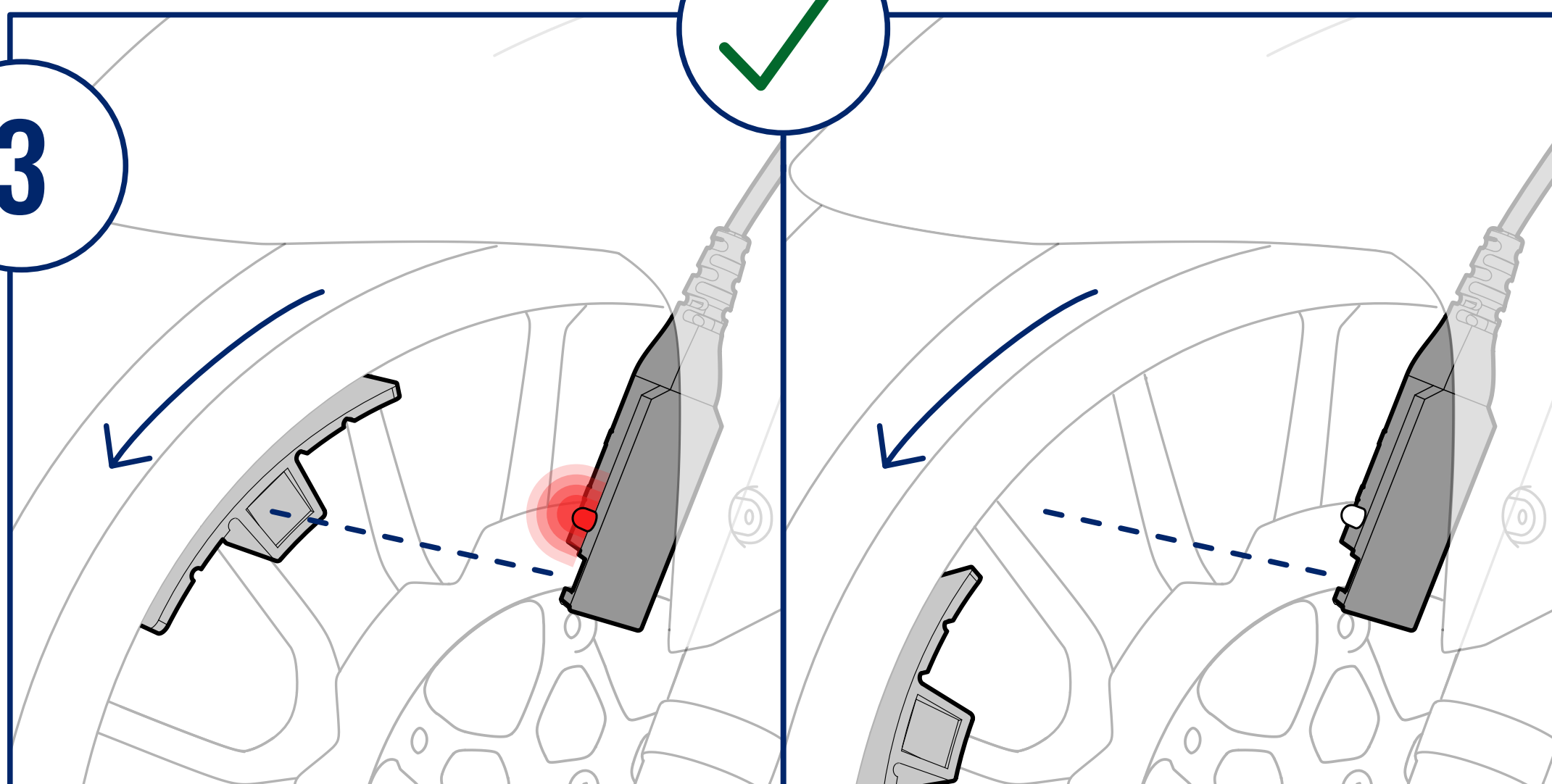
2

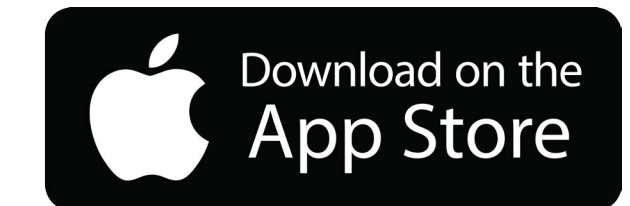
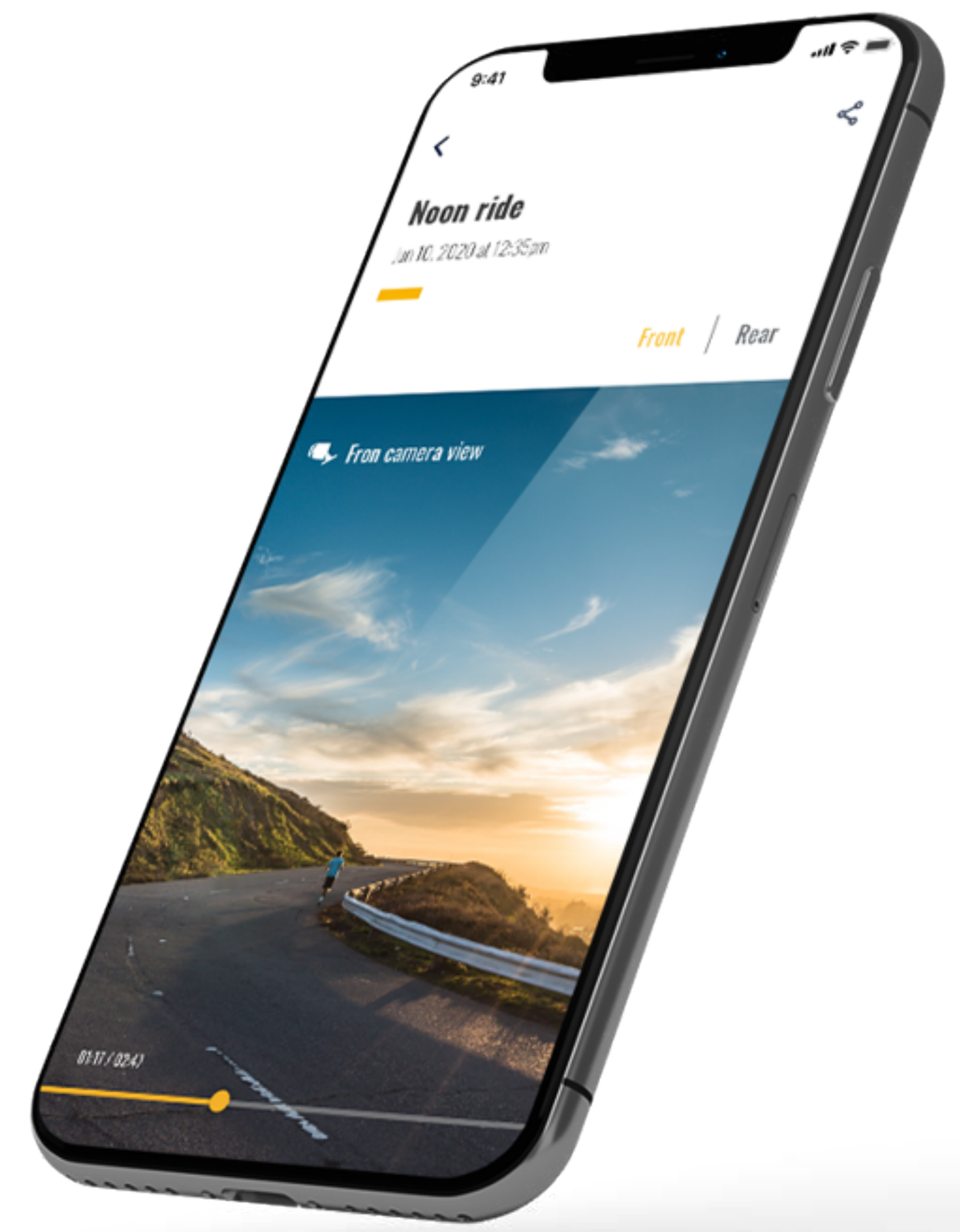


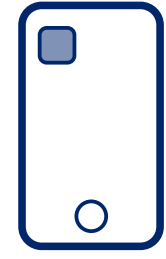
x5



3







### 1 Registration



Username

Password

[Forgot your password?](#)

Login

New to RideVision?

**Start Here!**

### 2 Unit update



Ride Safe, Moshe

Unit Update

Unit Settings

What's new?

Support

Log out

### 3 Calibration



Ride Safe, Moshe

Unit Update

Unit Settings

- Alert Sensitivity
- Led Brightness
- WiFi Password
- Video Recording
- Unit Calibration

What's new?

Support

Log out

Default wifi password to the unit: 12345678